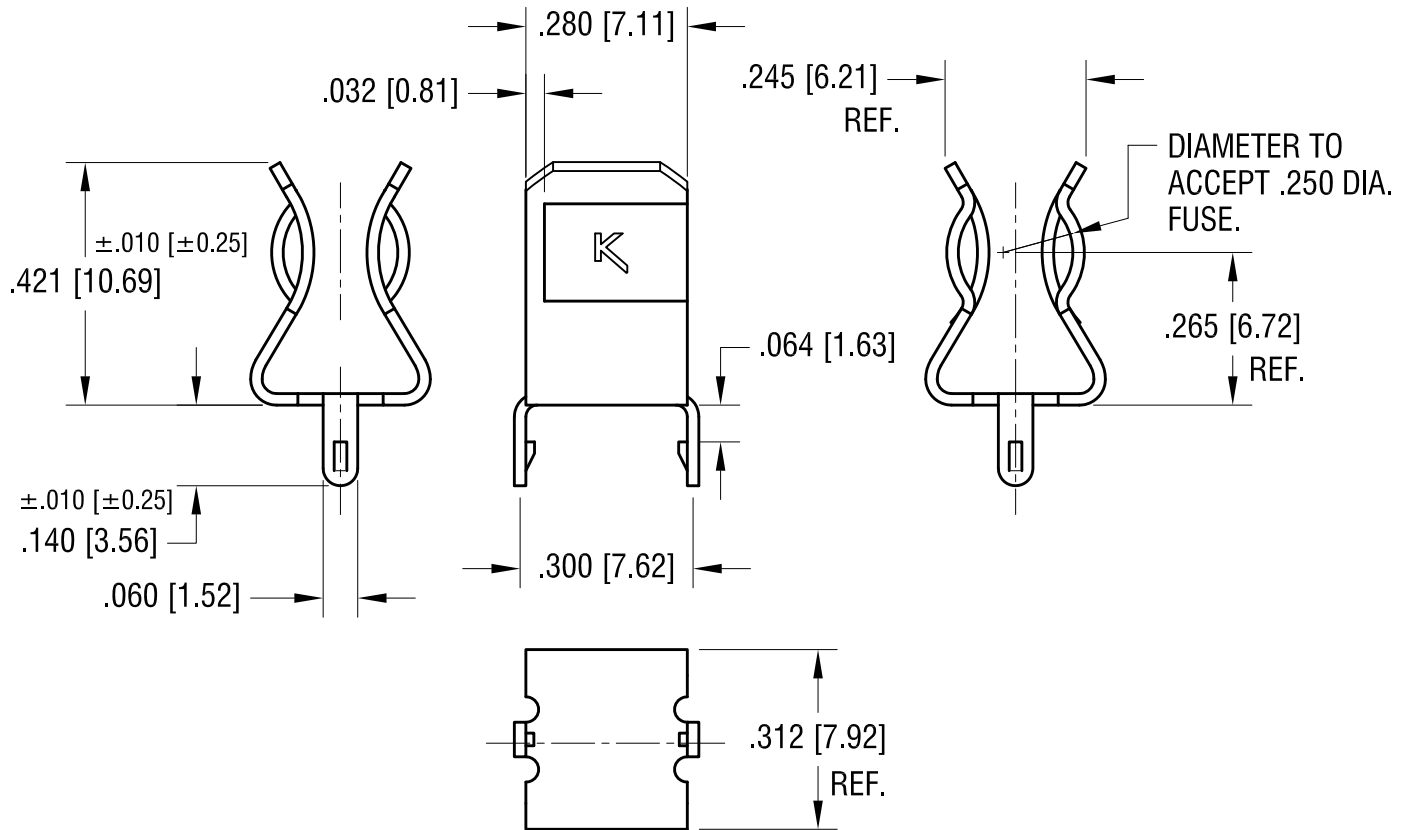
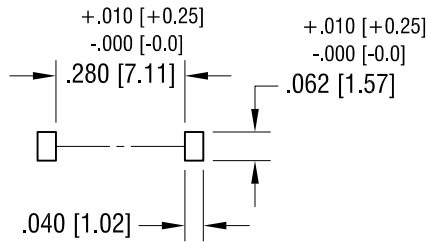


THIS DOCUMENT IS THE PROPERTY OF KEYSTONE ELECTRONICS CORP. AND SHALL NOT BE REPRODUCED, DISTRIBUTED OR USED AS A BASIS FOR MANUFACTURE WITHOUT PRIOR WRITTEN PERMISSION FROM KEYSTONE ELECTRONICS CORP.

ACTUAL SIZE



RECOMMENDED MOUNTING LAYOUT



12.16.15	CHANGE AS PER ECN 15-145	D
9.12.12	CHANGE AS PER ECN 12-141	C
6.04.09	CHANGE AS PER ECN 09-045	B
5.02.00	CHANGE AS PER ECN 00-028	A
DATE	DESCRIPTION	REV.

KEYSTONE ELECTRONICS CORP.			
www.keyelco.com • ASTORIA, N.Y. 11105-2017 • Tel (718) 956-8900			
PART NAME		3AG SNAP-IN FUSE CLIP	
MATERIAL		.020 [0.50] TH'K BRASS	
FINISH		DRN BY	DATE
MATTE TIN PLATE		BOONE	2.03.97
		APP'D	SCALE
		LN	3X
TOLERANCES	INCH [MM]	CODE	DWG NO.
DECIMAL	± .005 [± 0.15]	C	3515
ANGULAR	± 1°		
UNLESS OTHERWISE SPECIFIED			