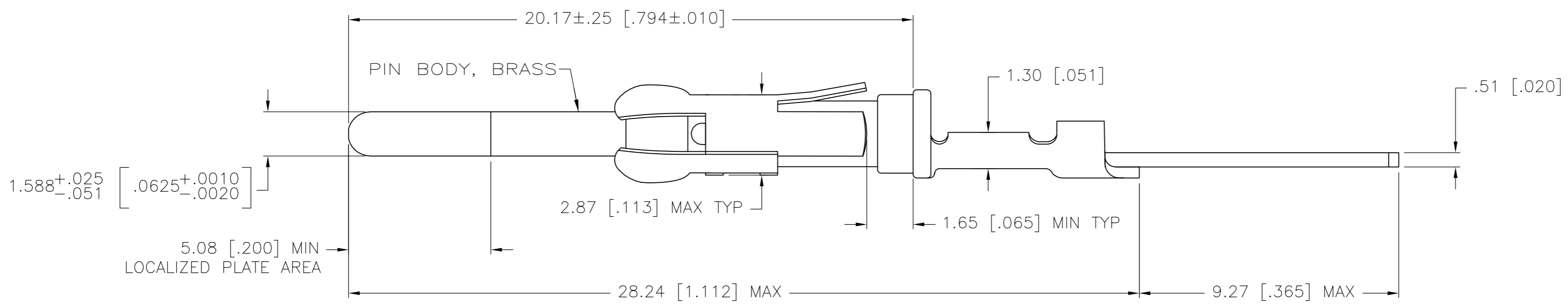
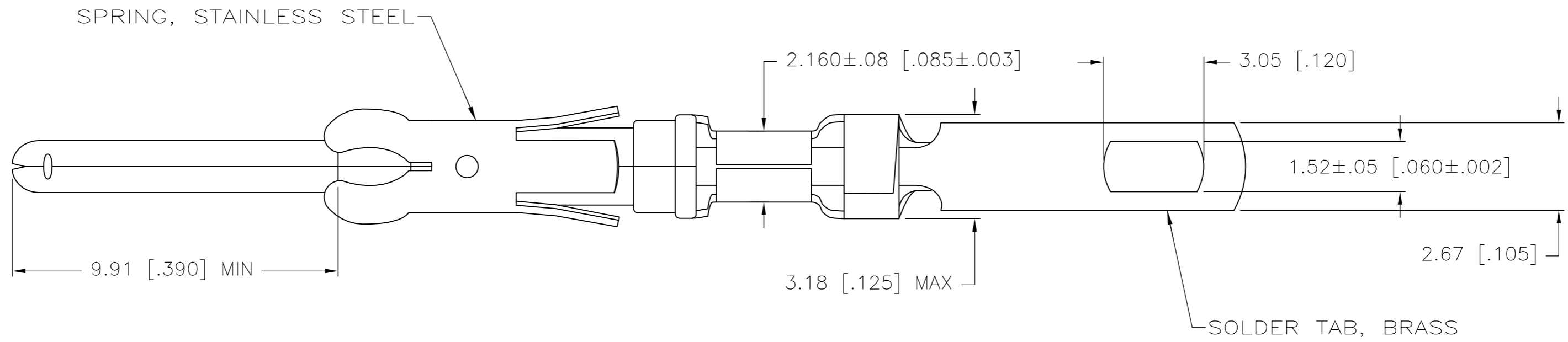


THIS DRAWING IS UNPUBLISHED. RELEASED FOR PUBLICATION
 © COPYRIGHT - ALL RIGHTS RESERVED.

REVISIONS				
P	LTR	DESCRIPTION	DATE	APVD
T2		REVISED PER ECO-16-004223	21JUL2016	NK MZ



- ① 1.27µm [.000050] MIN TIN-LEAD OVER
1.27µm [.000050] MIN NICKEL.
- ② 0.76µm [.000030] MIN GOLD IN LOCALIZED PLATE AREA, 0.25µm [.000010] MIN GOLD ON THE REMAINDER ALL OVER
1.27µm [.000050] MIN NICKEL.
- ③ 2.54µm [.000100] MIN TIN-LEAD OVER
1.27µm [.000050] MIN NICKEL.
- ④ 2.54µm [.000100] MIN TIN OVER
1.27µm [.000050] MIN NICKEL.
- ⑤ 1.27µm [.000050] MIN TIN OVER
1.27µm [.000050] MIN NICKEL.

OBSOLETE	④	SMALL PACK	②	202236-8
		STANDARD	②	202236-7
	③	SMALL PACK	⑤	202236-6
		STANDARD	⑤	202236-5
		STANDARD	①	202236-4
		SMALL PACK	②	202236-3
		STANDARD	①	202236-2
		STANDARD	②	202236-1
FINISH SOLDER TAB	PACKAGING TYPE	FINISH	PART NO	

THIS DRAWING IS A CONTROLLED DOCUMENT.

DWN H MOLL 27SEP90	 TE Connectivity
CHK J.McCLINTON 15DEC90	
APVD A. BOULLIANNE 15DEC90	
PRODUCT SPEC	
APPLICATION SPEC	NAME
FINISH	SIZE
WEIGHT	CAGE CODE
CUSTOMER DRAWING	DRAWING NO
	RESTRICTED TO
	SCALE
	SHEET
	REV

SCALE 8:1 SHEET 1 OF 1 REV T2