

PART NAME: KNOB      SCALE: 1:1      DATE: 10/3/97      DR. BY HD

THIS DRAWING IS THE PROPERTY OF DAVIES MOLDING COMPANY, IS SUBMITTED SOLELY AS A DESIGN OR ENGINEERING PROJECT. WE ACCEPT NO RESPONSIBILITY WHATSOEVER FOR THE PRACTICAL APPLICATION OF THE PIECES MADE TO THIS DESIGN.

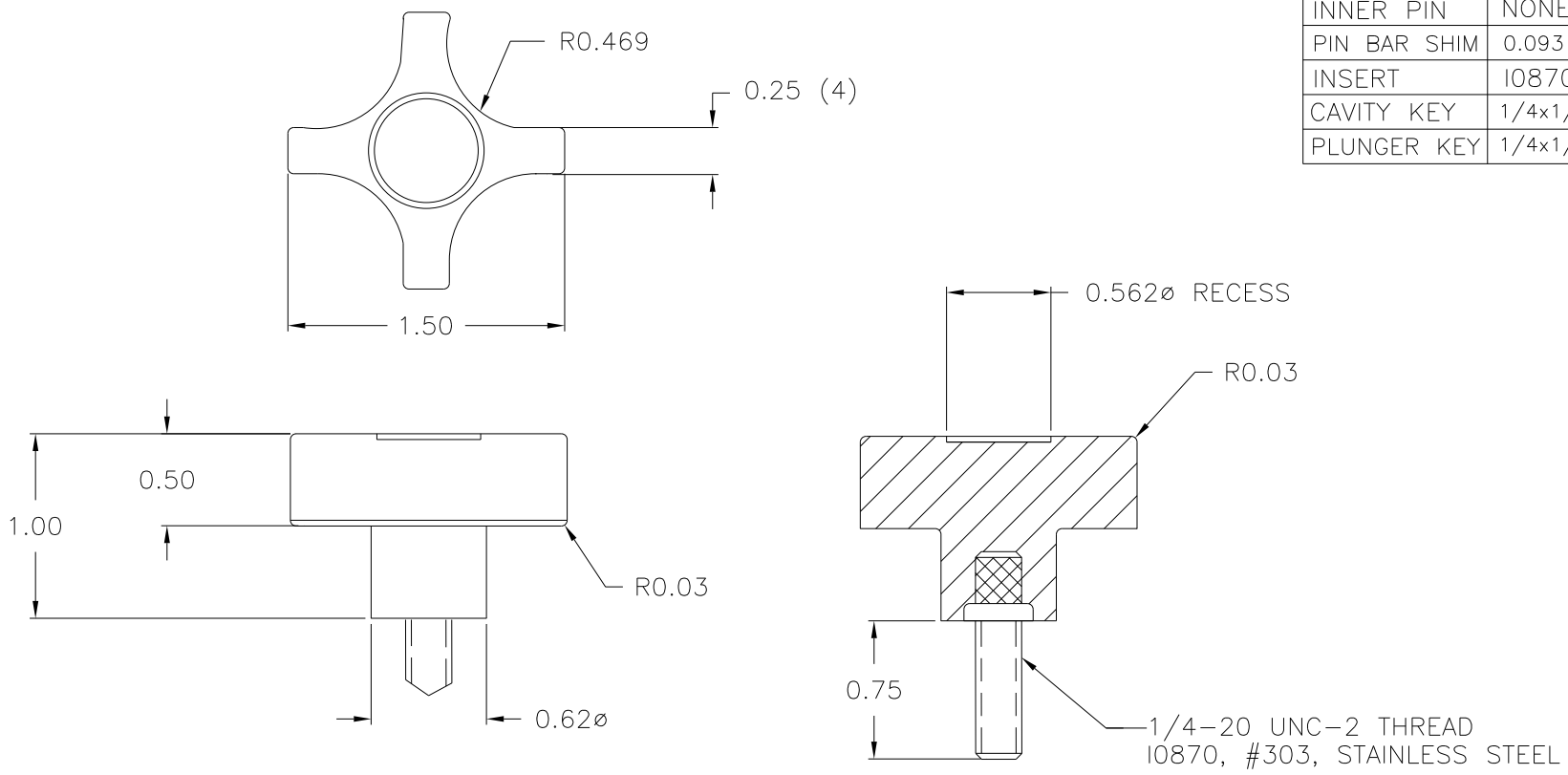


DESIGNERS & MANUFACTURERS OF KNOBS, HANDLES, CASES & CUSTOM PLASTIC COMPONENTS

P/N 2820BA

M<sup>NO.</sup> 3035

CAVITY	2820
PLUNGER	2820
PLUNGER PIN	2820
① OUTER PIN	3008-28
INNER PIN	NONE
PIN BAR SHIM	0.093
INSERT	10870
CAVITY KEY	1/4x1/4x3/4
PLUNGER KEY	1/4x1/4x5/8



MATERIAL: G.P. PHENOLIC (B11)  
COLOR: BLACK

TOLERANCES: UNLESS OTHERWISE SPECIFIED	DO NOT SCALE DRAWING			
DECIMALS: X.XXX ± .005 X.XX ± .015	MM: X.XX ± 0.15MM X.X ± 0.4MM			
FRACTIONS ± 1/64	ANG. ± 1°	A	ADDED INNER & OUTER PINS, CORRECTED TOOLING BOX	TS 10/31/02
CHANGES				