

Honeywell

TERMINAL BLOCK-
ENCLOSED

CATALOGUE LISTING
18PA SERIES
CHART I.

CONDUIT ENTRY

REL. No.

CH'D BY

ISSUE

CATALOGUE LISTING

20 MM. TO BS 4568	CN-20736W	R.M.	3	18PAI-4C
PG II	CN-20736W	R.M.	3	18PAI-4PGII
PG 13,5	CN-20736W	R.M.	3	18PAI-4PG

18PA SERIES
CHART I.

REPLACES

M

DRAWING NUMBER

3

ISSUE

RELEASE No. MSEN 32-C

REV.	DATE	BY	CHKD	DESCRIPTION
2	10/1/57	J.M.		REVISED TO BS 4568
1	10/1/57	J.M.		REVISED TO BS 4568
3	2/2/65	J.M.		REVISED TO BS 4568
2	2/2/58	J.M.		REVISED TO BS 4568

ISSUES

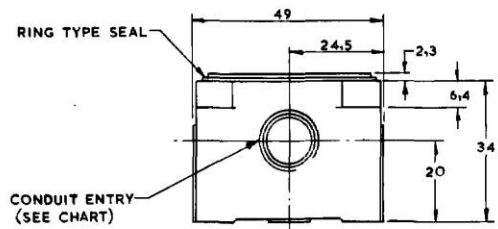
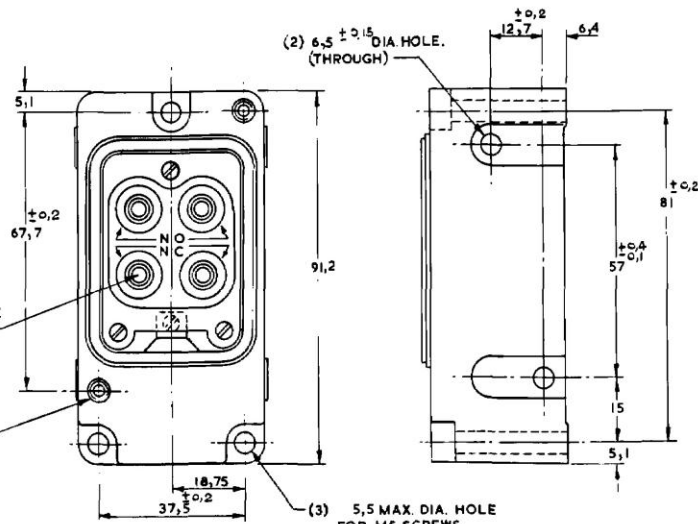
22

J.M.

3. 7. 73.

DRAWN

R.M.



THE COPYRIGHT OF THIS DRAWING IS THE PROPERTY OF HONEYWELL LTD. THE DRAWING IS SUPPLIED IN CONFIDENCE AND MUST NOT BE USED FOR ANY PURPOSE OTHER THAN THAT FOR WHICH IT IS SUPPLIED.

3RD ANGLE PROJECTION

CHARACTERISTICS	ELECTRICAL DATA		SCALE 1:1 DIMENSIONS ARE IN MILLIMETRES TOLERANCES UNLESS OTHERWISE STATED ± 0.4 ANGULAR
	CONTACT ARRANGEMENT	BREAK DISTANCE	
OPERATING FORCE			
DIFFERENTIAL FORCE			
RELEASE FORCE			
PRETRAVEL			
DIFFERENTIAL TRAVEL			
OVERTRAVEL			
FREE POSITION			

NOTE:-
1- ALUMINIUM HOUSING FINISHED IN GREY PAINT
2- TERMINAL BLOCK IS REMOVABLE FOR WIRING
(4) 4 MM. TERMINAL SCREWS AND WASHERS.