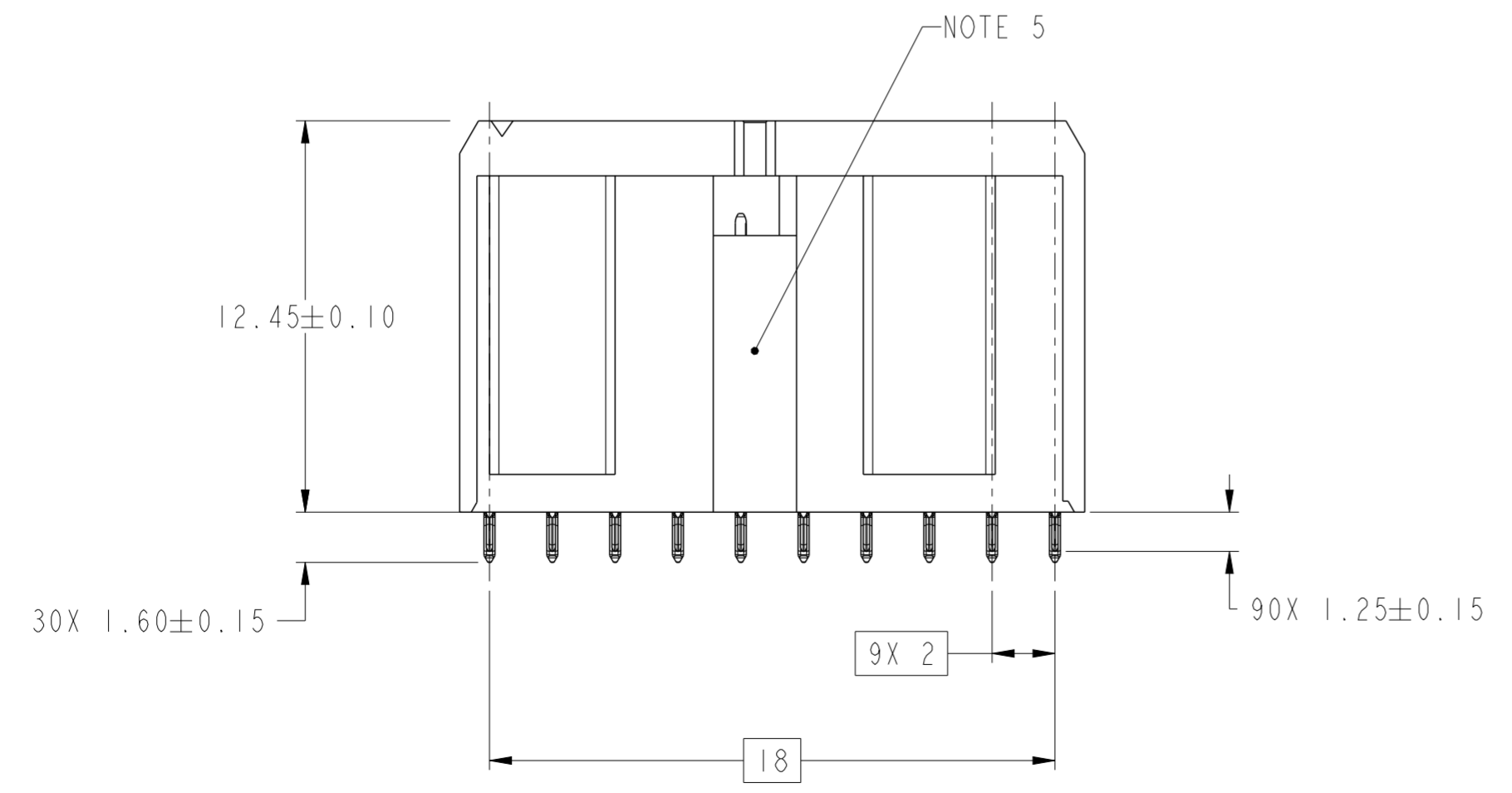
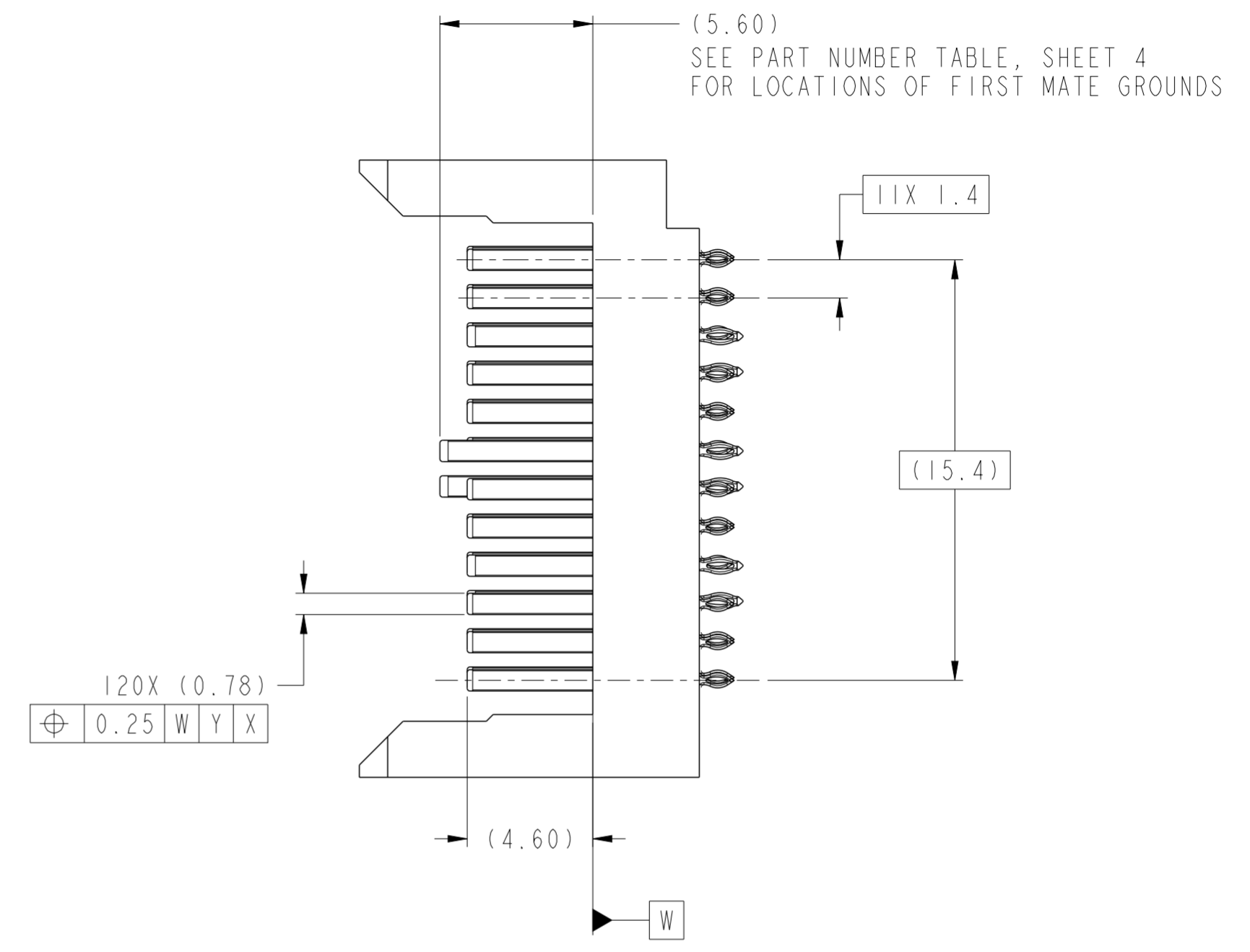
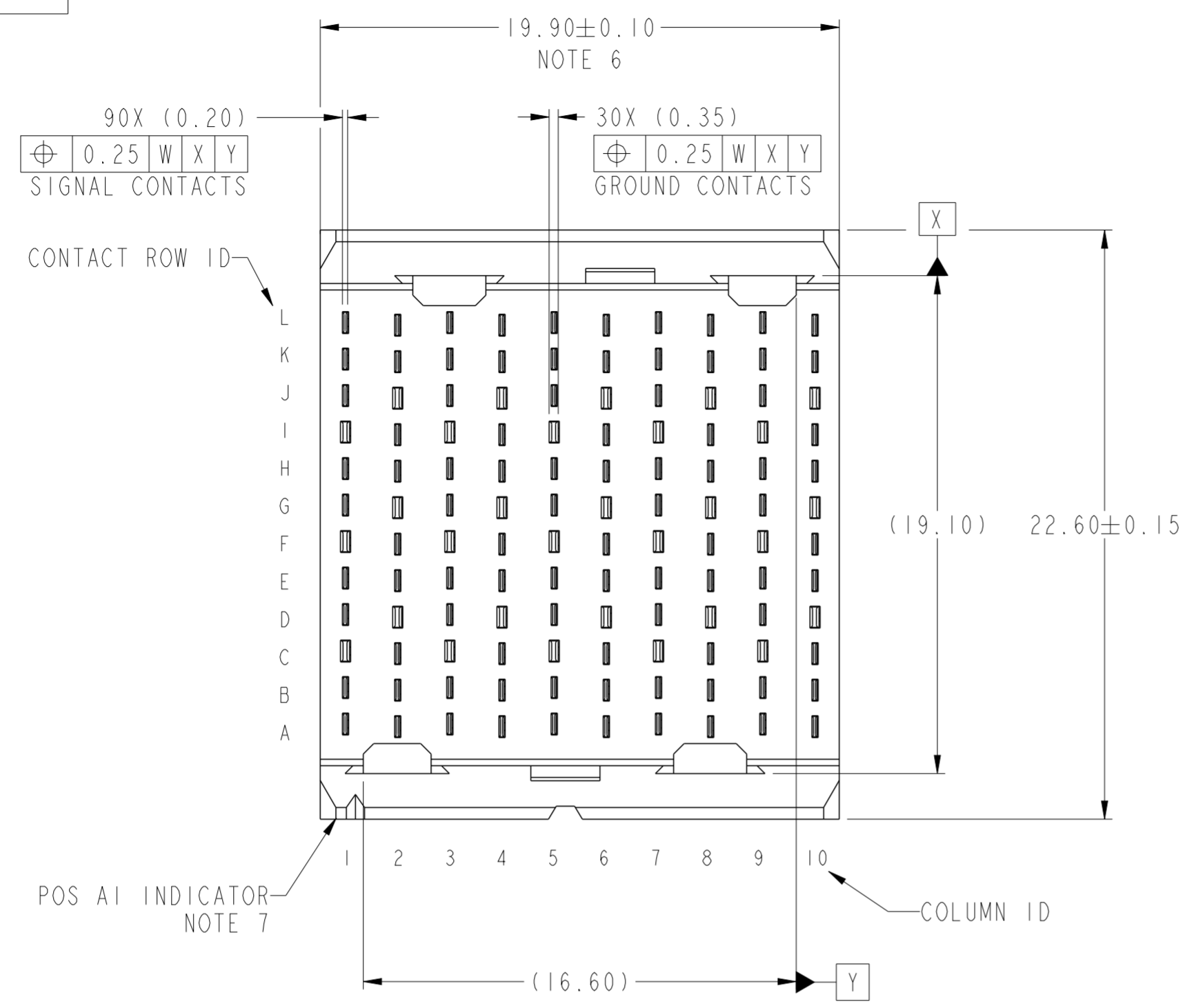


Product number
SEE TABLE, SHT 4



spec ref	-	dr	Mark Gray	2011/04/08	projection	MM	size	A2	scale	5:1		
tolerance std	ASME Y14.5	eng	Kou Xu	2014/06/05			ecn no	ELX-DG-17847-1				
TOLERANCES UNLESS OTHERWISE SPECIFIED		chr	Zhi-Guo Qiao	2014/06/23			rel level	Released				
		appr	Collins Lu	2014/06/23			product family	AIRMAX VS				
surface	✓	linear	0.X	±0.3		AIRMAX VSE VERTICAL HEADER SMALL PRESS-FIT, 120 POS, 20.0 mm	div no 10117992	rev C	cat. no.		Product - Customer Drw	sheet 1 of 4
ASME Y14.5	angular	0°	±2°	www.fci.com								

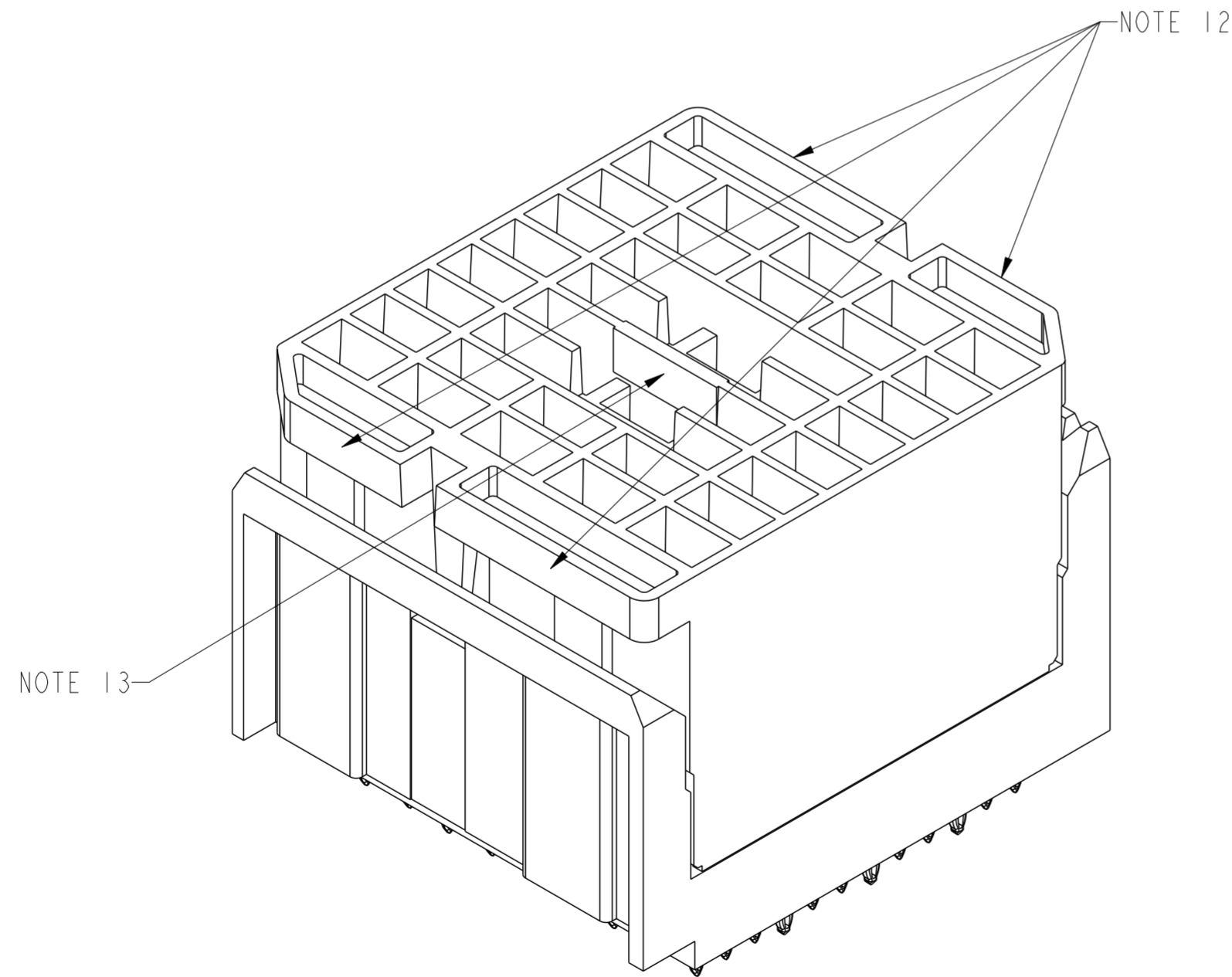
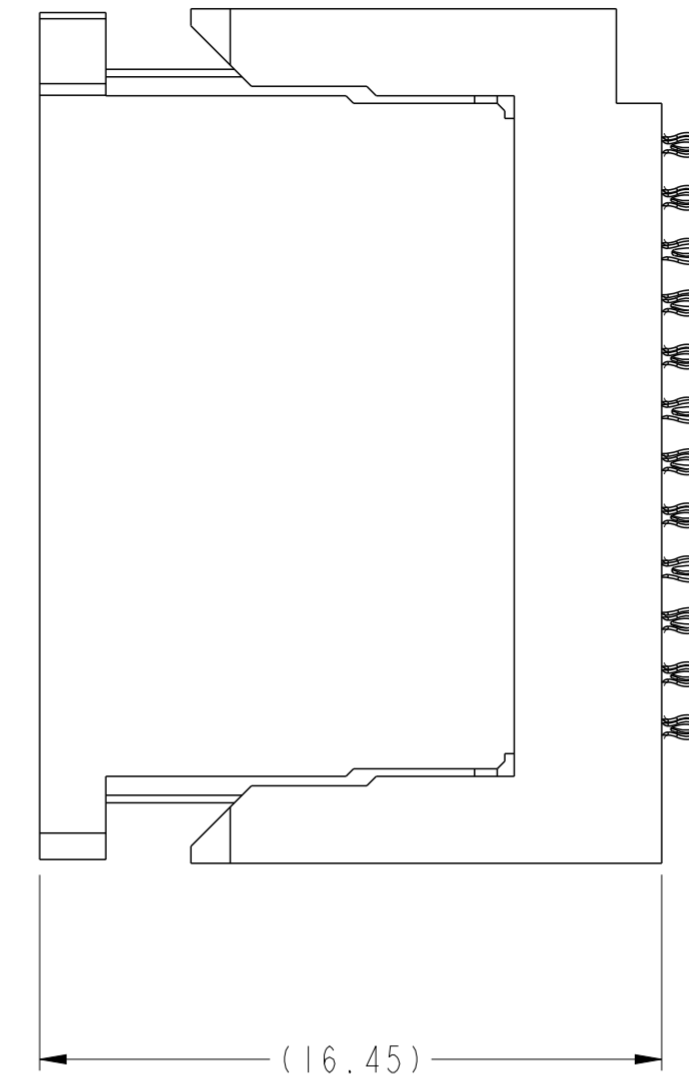
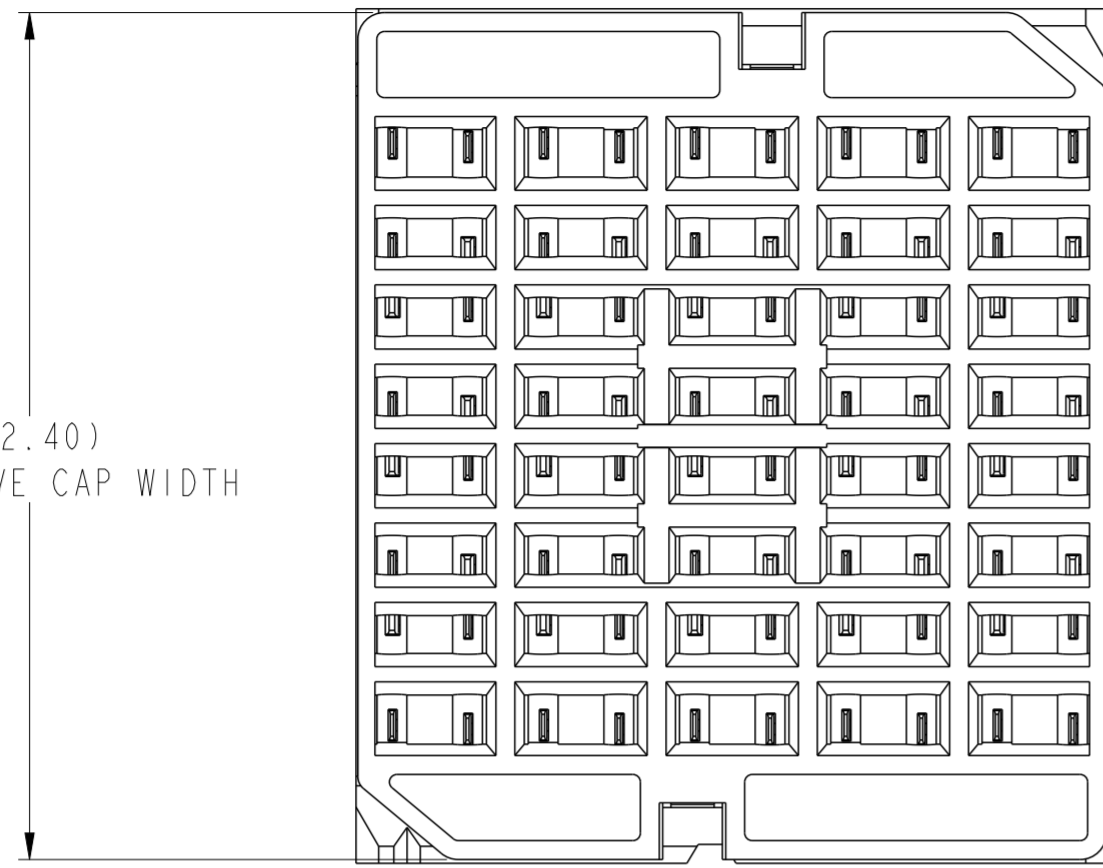
Copyright FCI.

PDS: Rev :C

STATUS:Released

Printed: Jun 24, 2014

(22.40)
PROTECTIVE CAP WIDTH



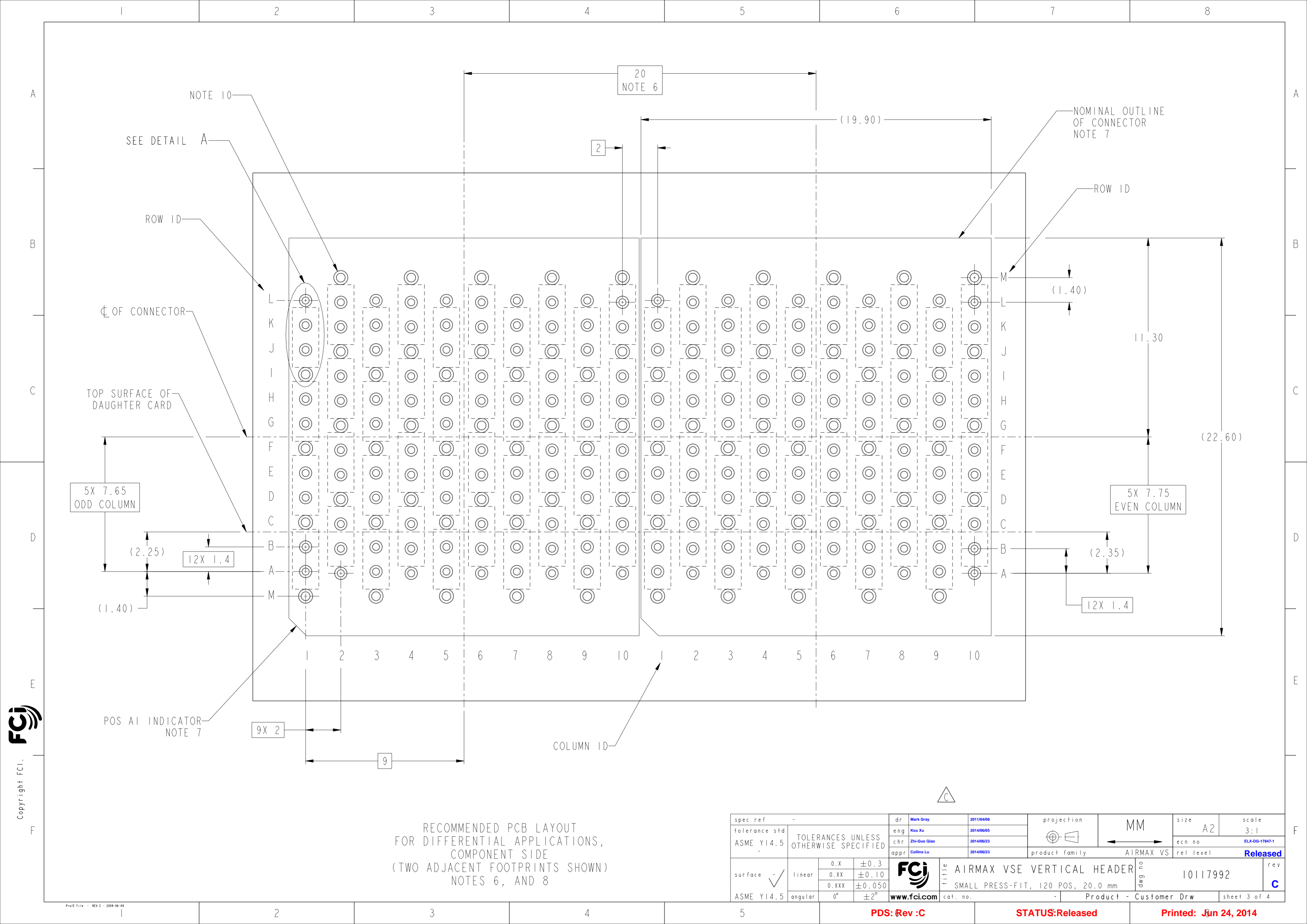
VIEWS SHOWN WITH
PROTECTIVE COVER INSTALLED

spec ref	-	dr	Mark Gray	2011/04/08	projection	MM	size	A2	scale	5:1			
tolerance std	ASME Y14.5	eng	Kou Xu	2014/06/05			ecn no	ELX-DG-17847-1					
TOLERANCES UNLESS OTHERWISE SPECIFIED		chr	Zhi-Guo Qiao	2014/06/23			rel level	Released					
		appr	Collins Lu	2014/06/23			product family	AIRMAX VS					
surface	✓	linear	0.X	±0.3		AIRMAX VSE VERTICAL HEADER SMALL PRESS-FIT, 120 POS, 20.0 mm	divg no 10117992	rev C	www.fci.com				
			0.XX	±0.10					cat. no.		Product - Customer Drw		sheet 2 of 4
		angular	0°	±2°									

PDS: Rev :C

STATUS:Released

Printed: Jun 24, 2014



RECOMMENDED PCB LAYOUT
FOR DIFFERENTIAL APPLICATIONS,
COMPONENT SIDE
(TWO ADJACENT FOOTPRINTS SHOWN)
NOTES 6, AND 8

spec ref	-	dr	Mark Gray	2011/04/08	projection	MM	size	A2	scale	3:1	
tolerance std	ASME Y14.5	eng	Kou Xu	2014/06/05			ecn no	ELX-DG-17847-1			
TOLERANCES UNLESS OTHERWISE SPECIFIED		chr	Zhi-Guo Qiao	2014/06/23			rel level	Released			
		appr	Collins Lu	2014/06/23			product family AIRMAX VS				
surface	✓	linear	0.X	±0.3			TITLE AIRMAX VSE VERTICAL HEADER SMALL PRESS-FIT, 120 POS, 20.0 mm		REV 10117992 C		
			0.XX	±0.10							
			0.XXX	±0.050							
ASME Y14.5	angular	0°	±2°		www.fci.com		cat. no.		Product - Customer Drw		

PDS: Rev :C


STATUS:Released

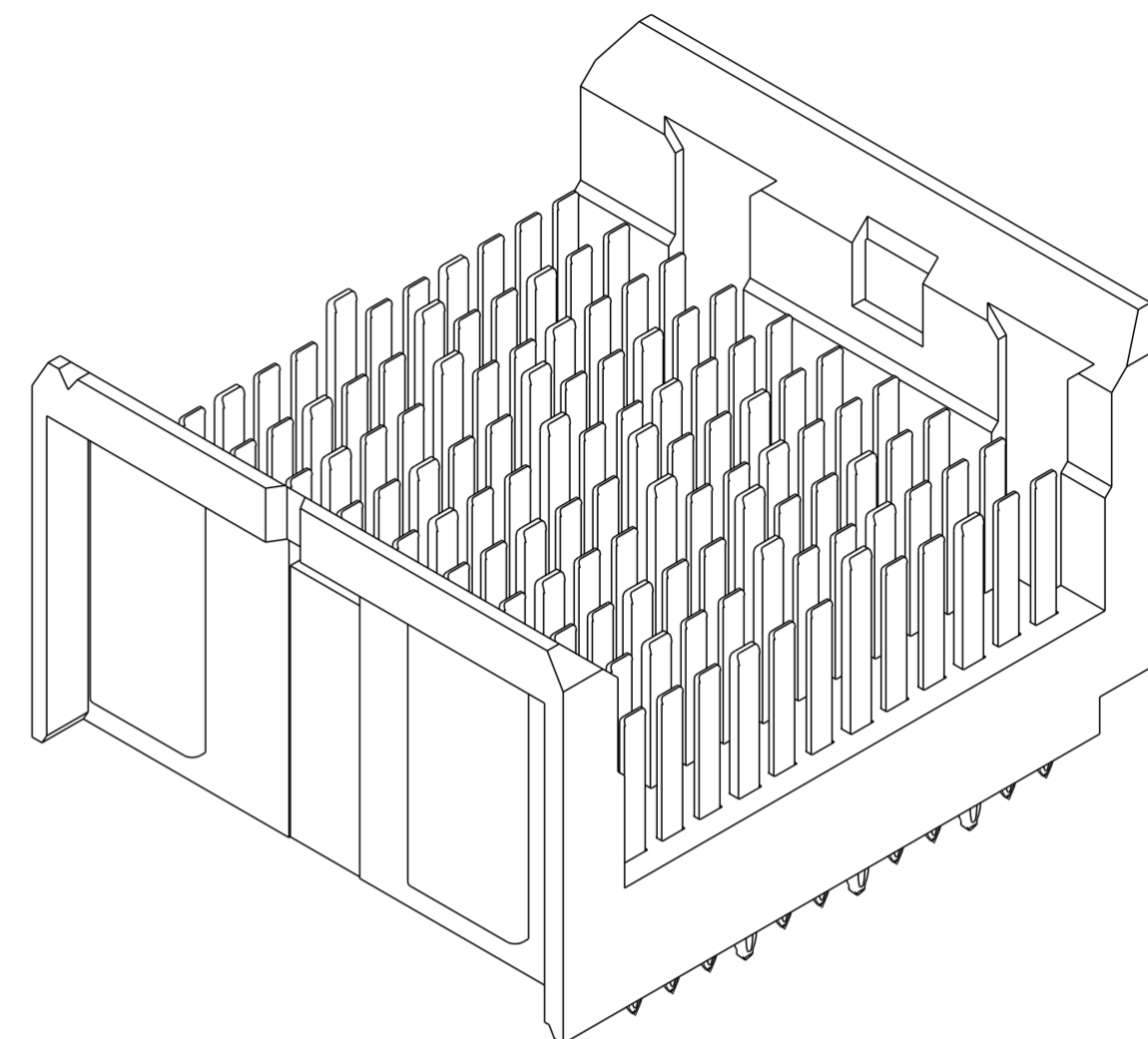
Printed: Jun 24, 2014

Copyright FCI. FCI

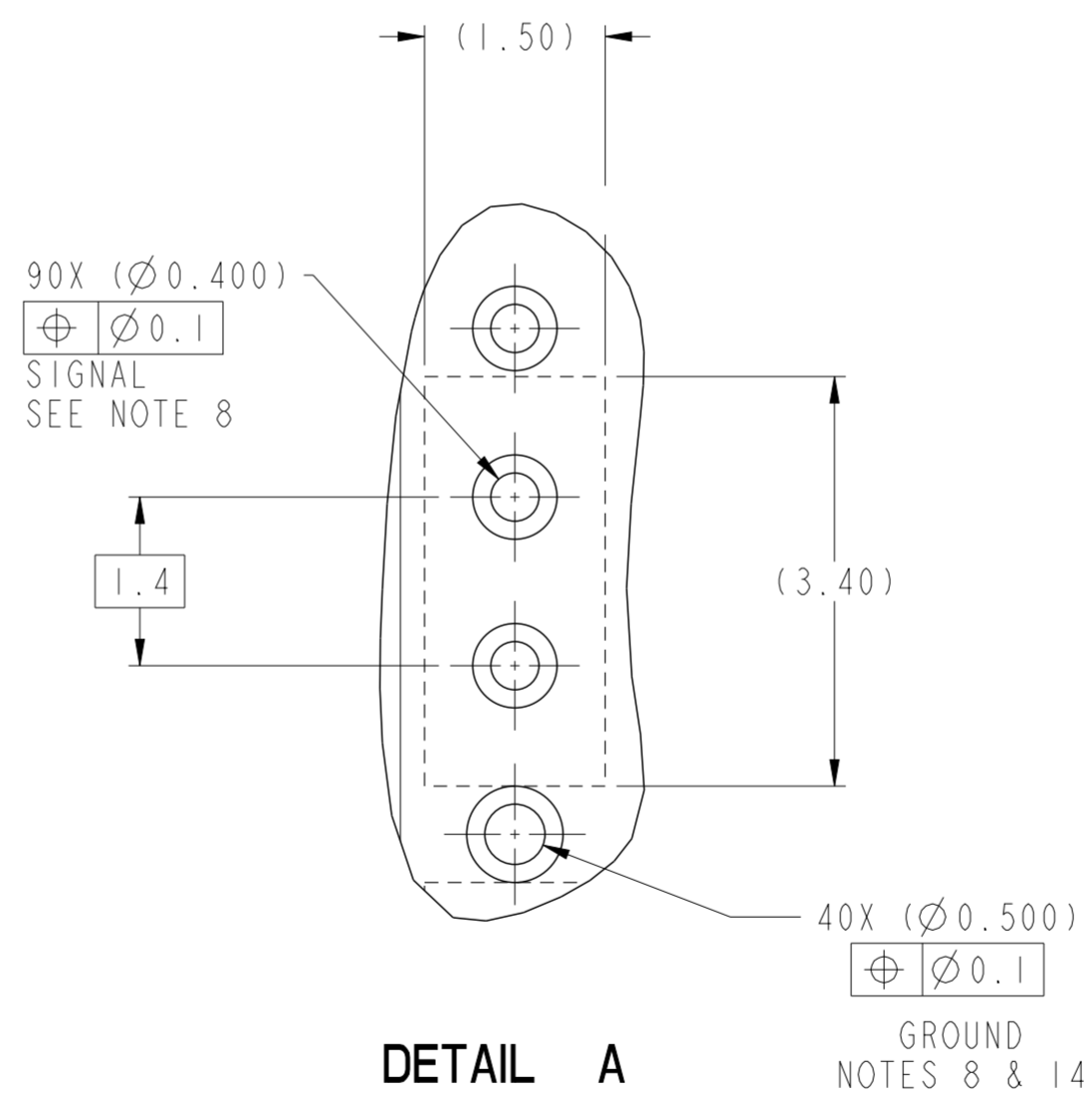
PART NUMBER	PRESS-FIT TAIL PLATING TYPE	PROTECTIVE COVER	FIRST MATE PIN LOCATIONS (5.6mm)
10117992-101LF	TIN OVER NICKEL (LEAD FREE)	YES	F1, F3, F5, F7, F9, G2, G4, G6, G8, G10

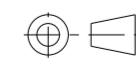


NOTES:

- CONNECTOR MATERIALS:
HOUSING: HIGH TEMP THERMOPLASTIC, BLACK, UL94V-0
CONTACT: COPPER ALLOY
- CONTACT PLATING:
SEPARABLE INTERFACE: PERFORMANCE-BASED PLATING, QUALIFIED TO MEET THE REQUIREMENTS OF FCI PRODUCT SPECIFICATION GS-12-XXX INCLUDING TELCORDIA GR-1217-CORE (NOVEMBER 1995) CENTRAL OFFICE TEST SEQUENCE
PRESS-FIT TAILS: SEE TABLE
- PRODUCT SPECIFICATION: GS-12-239.
- APPLICATION SPECIFICATION: GS-20-035.
- PRODUCT MARKING, (PROTOTYPE, PART NUMBER & LOT CODE), ON THIS SURFACE.
- THE MINIMUM CENTERLINE SPACING BETWEEN ADJACENT MODULES IS 20.0 mm.
- CONNECTOR OUTLINE WITH HOUSING POS A1 INDICATOR MAY BE SCREEN PRINTED ONTO CUSTOMER PCB TO BE USED AS A GUIDE FOR MANUAL CONNECTOR PLACEMENT.
- REFER TO CUSTOMER DRAWING 10104444 FOR INFORMATION ON PCB HOLE DIAMETERS AND PLATING OPTIONS.
- THIS PRODUCT MEETS EUROPEAN UNION DIRECTIVES AND OTHER COUNTRY REGULATIONS AS DESCRIBED IN GS-22-008.
- THE OUTER VIAS IN COLUMN M ARE OPTIONAL. IF ADDED THESE HOLES PROVIDE GROUND SYMMETRY THROUGH THE PCB. NO CONNECTOR EONS WILL BE PRESSED INTO THESE HOLES.
- PACKAGING MEETS GS-14-920 LEAD FREE LABELING SPECIFICATION.
- FOR REMOVAL OF THE PROTECTIVE CAP BY HAND GRIP USING THESE SURFACES.
- FOR REMOVAL OF THE PROTECTIVE CAP WITH PLIERS GRIP USING THIS FEATURE.
- GROUND VIAS IN POSITIONS C, F, I, & M FOR ODD COLUMNS AND POSITIONS D, G, J, & M FOR EVEN COLUMNS REQUIRE (Ø0.50) FINISHED HOLES. ALL OTHER VIAS REQUIRE (Ø0.40) FINISHED HOLES.
- A  SYMBOL WILL BE NEXT TO ANY DIMENSION, VIEW, OR NOTE WHICH HAS BEEN MODIFIED WITH THE CURRENT DRAWING REVISION



10117992-101LF



spec ref	-	dr	Mark Gray	2011/04/08	projection	MM	size	A2	scale	5:1
tolerance std	ASME Y14.5	eng	Kou Xu	2014/06/05			ecn no	ELX-DG-17847-1		
TOLERANCES UNLESS OTHERWISE SPECIFIED		chr	Zhi-Guo Qiao	2014/06/23			rel level	Released		
surface	✓	appr	Collins Lu	2014/06/23	product family	AIRMAX VS	title	AIRMUX VSE VERTICAL HEADER		
ASME Y14.5	linear	0.X	±0.3		cat. no.	-	div no	10117992		
		0.XX	±0.10		Product - Customer Drw	sheet 4 of 4				
	angular	0°	±2°		www.fci.com					