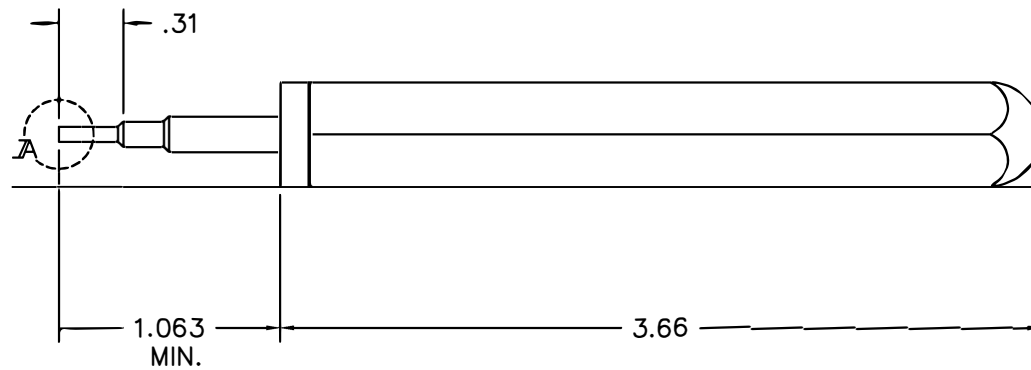
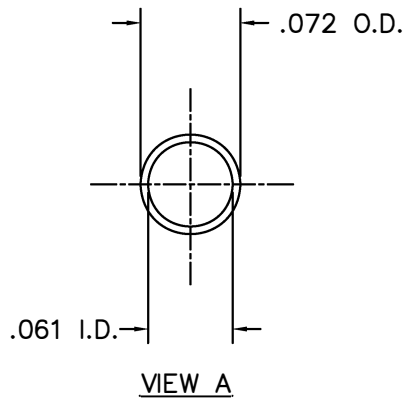



REVISIONS				
REV. SYM.	E.C.O. NUMBER	DESCRIPTION	BY DATE	APP'D DATE
1		ORIGINAL RELEASE	J. STRAITON 6-1-90	DE 6-90



**UNCONTROLLED DOCUMENT
WILL NOT BE UPDATED**

<p>RESTRICTED & CONFIDENTIAL</p> <p>CONFIDENTIAL PROPERTY OF DANIELS MANUFACTURING CORP. NOT TO BE DISCLOSED TO OTHERS, REPRODUCED OR USED FOR ANY OTHER PURPOSE, EXCEPT AS AUTHORIZED IN WRITING BY DANIELS MANUFACTURING. MUST BE RETURNED TO DANIELS MANUFACTURING CORP. ON COMPLETION OF ORDER OR OTHER PURPOSE FOR WHICH SENT.</p>	MATERIAL	ITEM	PART NO.	QTY.	DESCRIPTION/REMARKS						
	HEAT TREAT	DRN.	J. STRAITON	DATE	6-1-90	 <p>DANIELS MANUFACTURING CORP. ORLANDO, FLORIDA FSCM 11851</p> <p>REMOVAL TOOL #22 ENVELOPE DRAWING</p>					
		APP'D.	DE	DATE	6-90						
FINISH	NOTE:	APP'D.	DATE	WHERE USED:	TITLE						
DO NOT SCALE DRAWING	THIS DRAWING IS AN OUTLINE DRAWING OF THE RESPECTIVE DMC PART NUMBER INDICATED. ACTUAL DMC PART NUMBER IS DRAWING NUMBER WITHOUT THE "-ENV" SUFFIX.	SIZE	B	SCALE	NTS	CAD FILE NO	DRK124-22A-ENV	DWG. NO.	DRK124-22A-ENV	REV.	1