



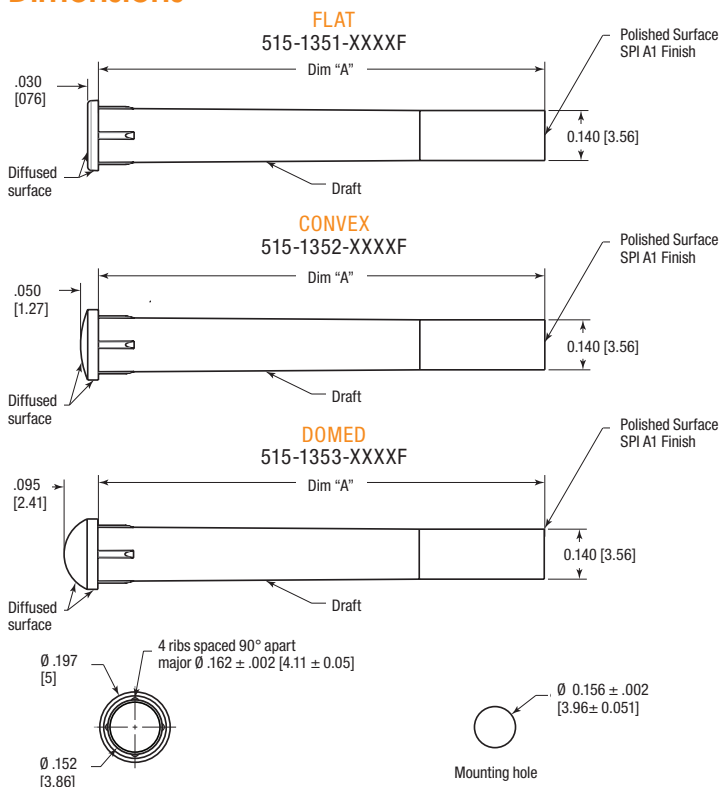
Features & Benefits

- Lengths varying from .125"–1.500"
Custom length available upon request
- Three lens styles for optimal viewing angles:
Flat, Convex and Domed
- Designed for both single and multiple colored LEDs
- Light is produced by surface mount LEDs through photonic emission, not as a by product of radiating heat source. Low voltage and minimal power consumption.
- Precision molded from ROHS compliant UL94-V0, water clear polycarbonate with oxygen index of 35%
- Available in diffused textured lens only
- Optimally designed to be used with Dialight surface mount LEDs
- See Dialight Surface Mount Selector Guide for LED options
- Recommend PLCC-2 and PLCC-4, surface mount LEDs part number: 597-xxxx-207F

Application

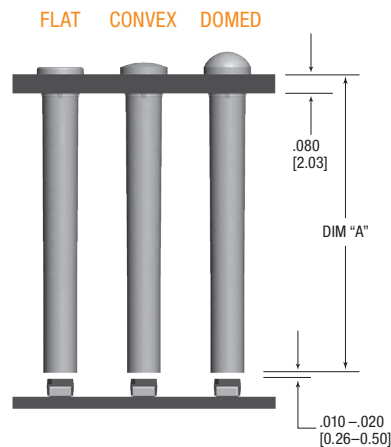
Dialight Optopipe® panel mount provide an excellent solution for products that contain a PCB that is parallel to the front panel in need of indication. The UL94-V0 water clear polycarbonate light pipes are secured to the front panel with a press fit that is easy to install. Dialight Optopipe® solutions are a cost effective way of bringing indication to your front panel.

Dimensions



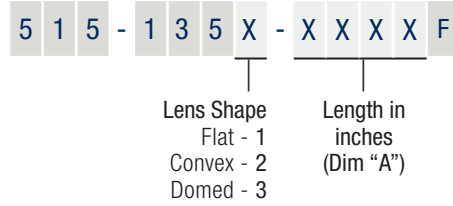
Mechanical Information

Mounting Hole Size:	.156" ± .002"
Min. Panel Thickness:	.040" (1 mm)
Operating Temp:	-30°C to +100°C
Storage Temp:	-30°C to +100°C



Ordering Information 515 Series 5mm

Part Number Guide



Flat

Convex

Domed

Dialight P/N	Dim "A"
515-1351-0125F	0.125 [3.20]
515-1351-0188F	0.188 [4.77]
515-1351-0250F	0.250 [6.35]
515-1351-0350F	0.350 [9.53]
515-1351-0375F	0.375 [9.53]
515-1351-0500F	0.500 [12.70]
515-1351-0625F	0.625 [15.88]
515-1351-0750F	0.750 [19.05]
515-1351-0800F	0.800 [20.32]
515-1351-0900F	0.900 [22.86]
515-1351-1000F	1.000 [25.40]
515-1351-1250F	1.250 [31.75]
515-1352-1500F	1.500 [38.10]

Dialight P/N	Dim "A"
515-1352-0125F	0.125 [3.20]
515-1352-0188F	0.188 [4.77]
515-1352-0250F	0.250 [6.35]
515-1352-0350F	0.350 [9.53]
515-1352-0375F	0.375 [9.53]
515-1352-0500F	0.500 [12.70]
515-1352-0625F	0.625 [15.88]
515-1352-0750F	0.750 [19.05]
515-1352-0800F	0.800 [20.32]
515-1352-0900F	0.900 [22.86]
515-1352-1000F	1.000 [25.40]
515-1352-1250F	1.250 [31.75]
515-1352-1500F	1.500 [38.10]

Dialight P/N	Dim "A"
515-1353-0125F	0.125 [3.20]
515-1353-0188F	0.188 [4.77]
515-1353-0250F	0.250 [6.35]
515-1353-0350F	0.350 [9.53]
515-1353-0375F	0.375 [9.53]
515-1353-0500F	0.500 [12.70]
515-1353-0625F	0.625 [15.88]
515-1353-0750F	0.750 [19.05]
515-1353-0800F	0.800 [20.32]
515-1353-0900F	0.900 [22.86]
515-1353-1000F	1.000 [25.40]
515-1353-1250F	1.250 [31.75]
515-1353-1500F	1.500 [38.10]

Dialight reserves the right to make changes at any time in order to supply the best product possible. The most current version of this document will always be available at: www.dialightsignalsandcomponents.com

Warranty Statement: Except for the warranty expressly provided for [herein/above/below], Dialight disclaims any and all other warranties, express or implied, including, without limitation, any warranties of merchantability, fitness for a particular purpose, title, and noninfringement.