

REVISIONS				
P.	LTN	DESCRIPTION	DATE	APVD
H		REV PER ECO 17-014072	9-27-17	CT MC

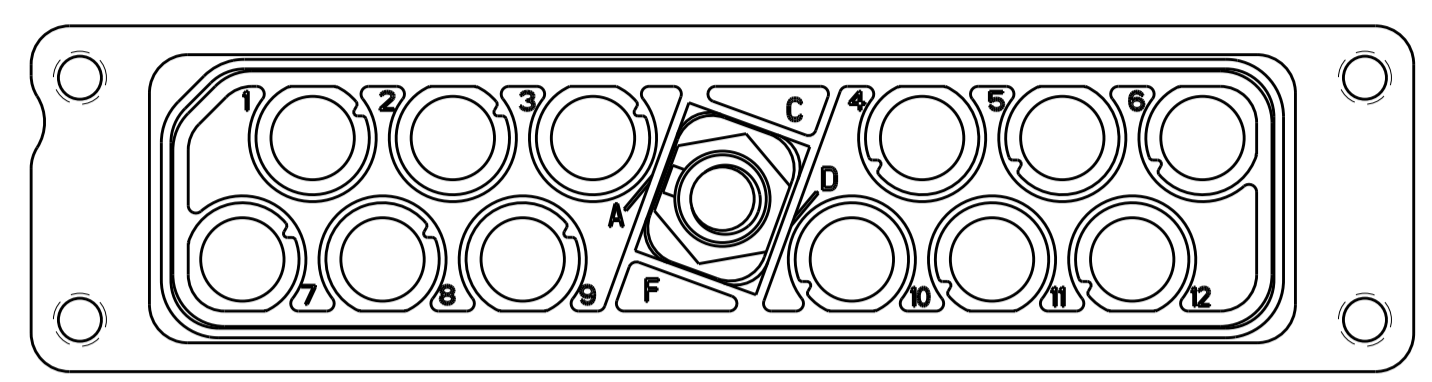


FIGURE 1  
1604799-9 SHOWN  
KEYED IN "A" POSITION

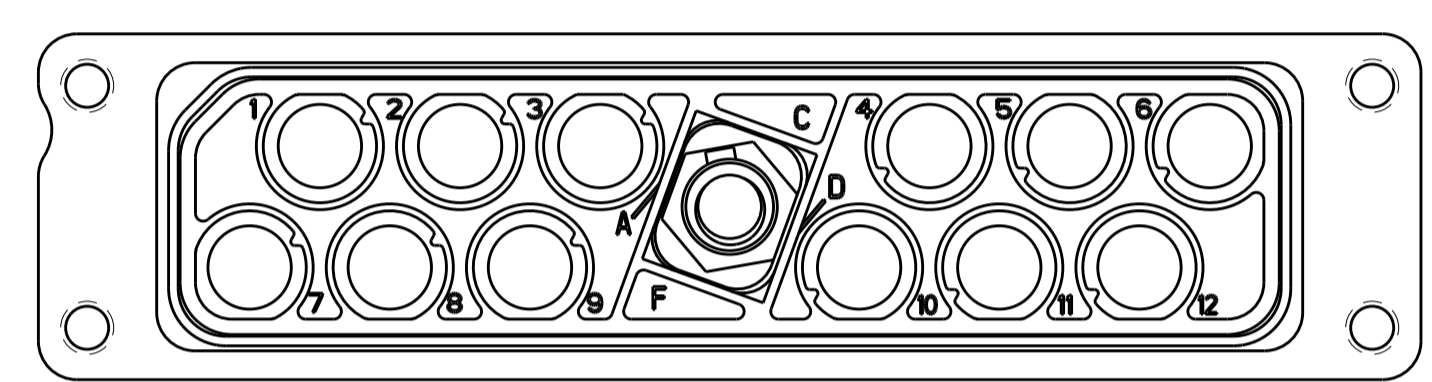


FIGURE 2  
1-1604799-0 SHOWN  
KEYED IN "B" POSITION

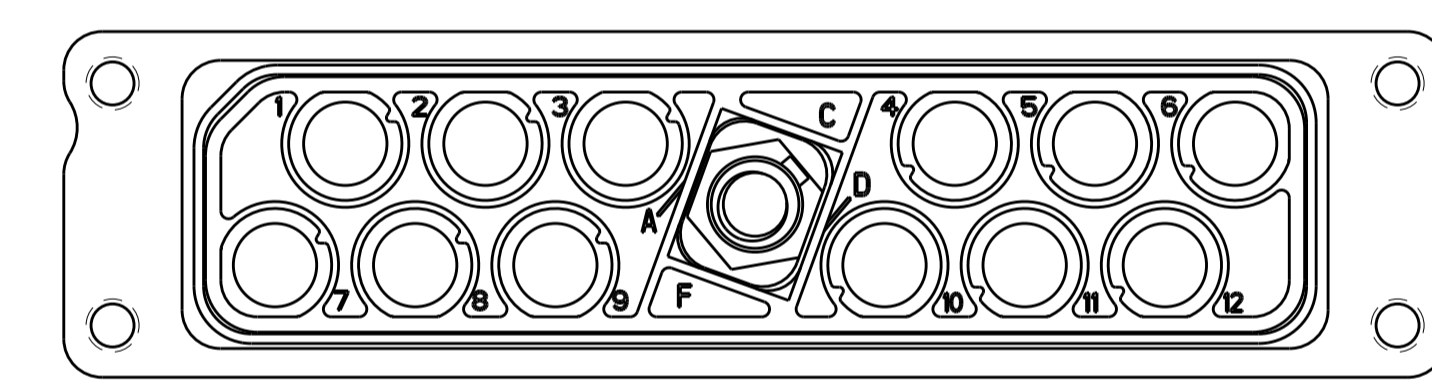


FIGURE 3  
1-1604799-1 SHOWN  
KEYED IN "C" POSITION

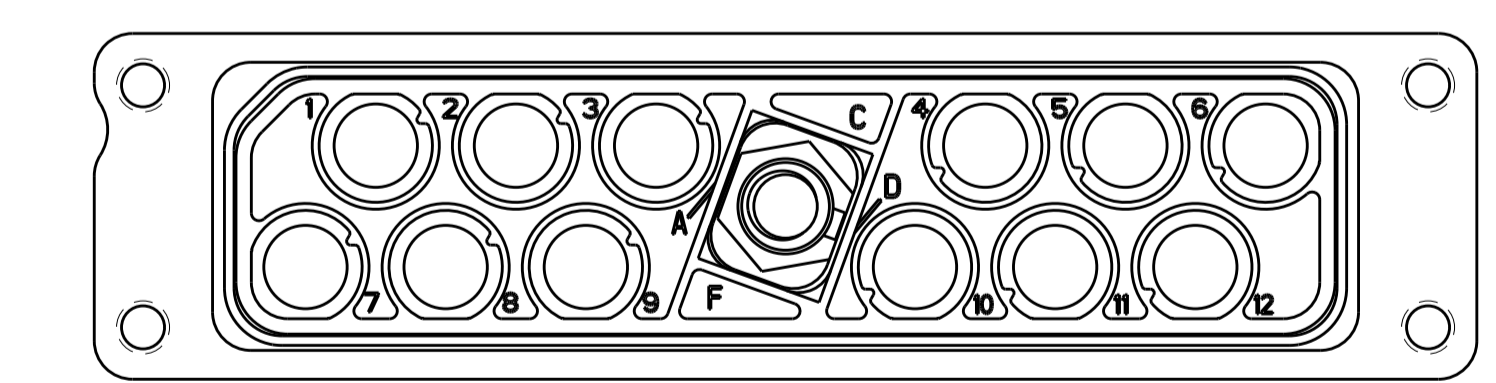


FIGURE 4  
1-1604799-2 SHOWN  
KEYED IN "D" POSITION

- ⚠ TE LOGO, DATE CODE AND TE OR CUSTOMER PART NUMBER (SEE TABLE) MARKED APPROX AS SHOWN ON EITHER SIDE.
- ⚠ JACKPOST KIT IS SHIPPED UNASSEMBLED. KIT IS PACKAGED IN A SEALED BAG.

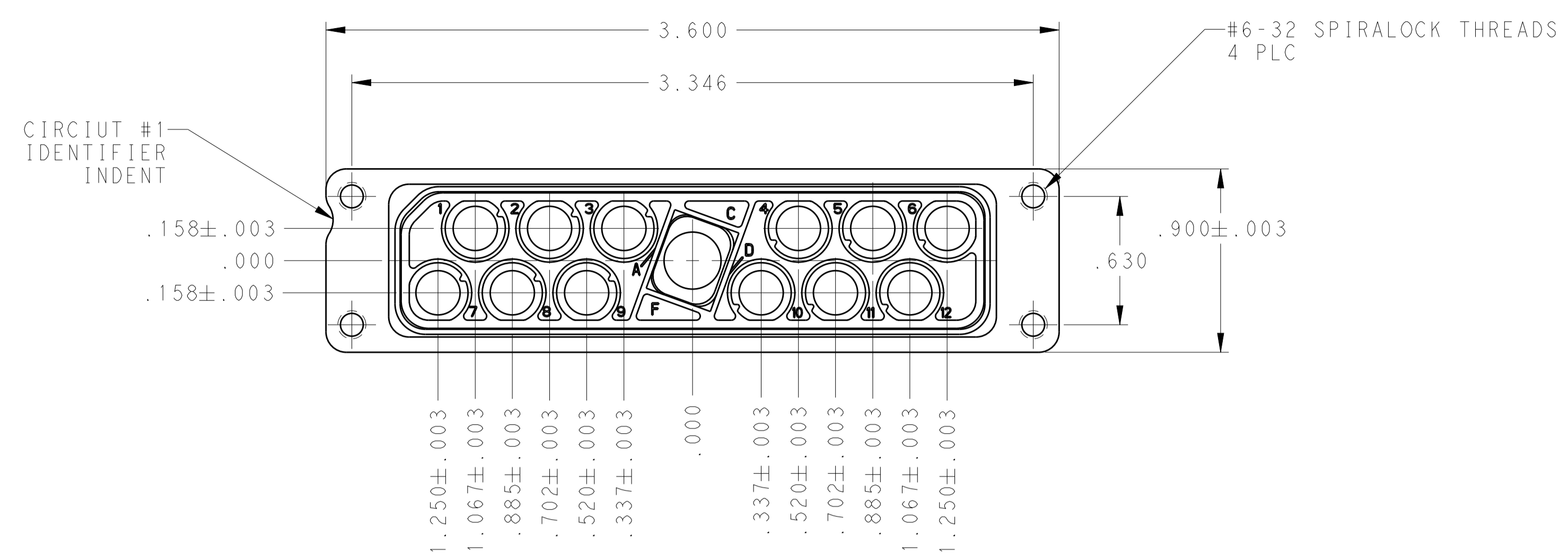
SUPERSEDED BY 1604799-5

**OBSOLETE**

REMARKS	HOUSING FINISH	RECOMMENDED CONTACT WITH WIRE SEAL (NOT INCLUDED)	CUSTOMER PART NUMBER	DESCRIPTION	TE PART NO
SEE FIGURE 4	ELECTROLESS NICKEL		1445692-4	BACC65BD12ND JACKPOST ASSEMBLED POLARIZATION CODE "D"	1-1604799-2
SEE FIGURE 3	ELECTROLESS NICKEL		1445692-4	BACC65BD12NC JACKPOST ASSEMBLED POLARIZATION CODE "C"	1-1604799-1
SEE FIGURE 2	ELECTROLESS NICKEL		1445692-4	BACC65BD12NB JACKPOST ASSEMBLED POLARIZATION CODE "B"	1-1604799-0
SEE FIGURE 1	ELECTROLESS NICKEL		1445692-4	BACC65BD12NA JACKPOST ASSEMBLED POLARIZATION CODE "A"	1604799-9
⚠	ELECTROLESS NICKEL		1445692-4	BACC65BD12N WITH JACKPOST KIT (FLAT POLARIZATION) (NOT INSTALLED)	1604799-8
⚠	ELECTROLESS NICKEL		1445692-3	--- WITH JACKPOST KIT (FLAT POLARIZATION) (NOT INSTALLED)	1604799-7
⚠	ELECTROLESS NICKEL		1445692-3	--- WITH JACKPOST KIT (FLAT POLARIZATION) (NOT INSTALLED)	1604799-5
⚠	BLACK ANODIZED		1445692-4	BACC65BD12A WITH JACKPOST KIT (FLAT POLARIZATION) (NOT INSTALLED)	1604799-4

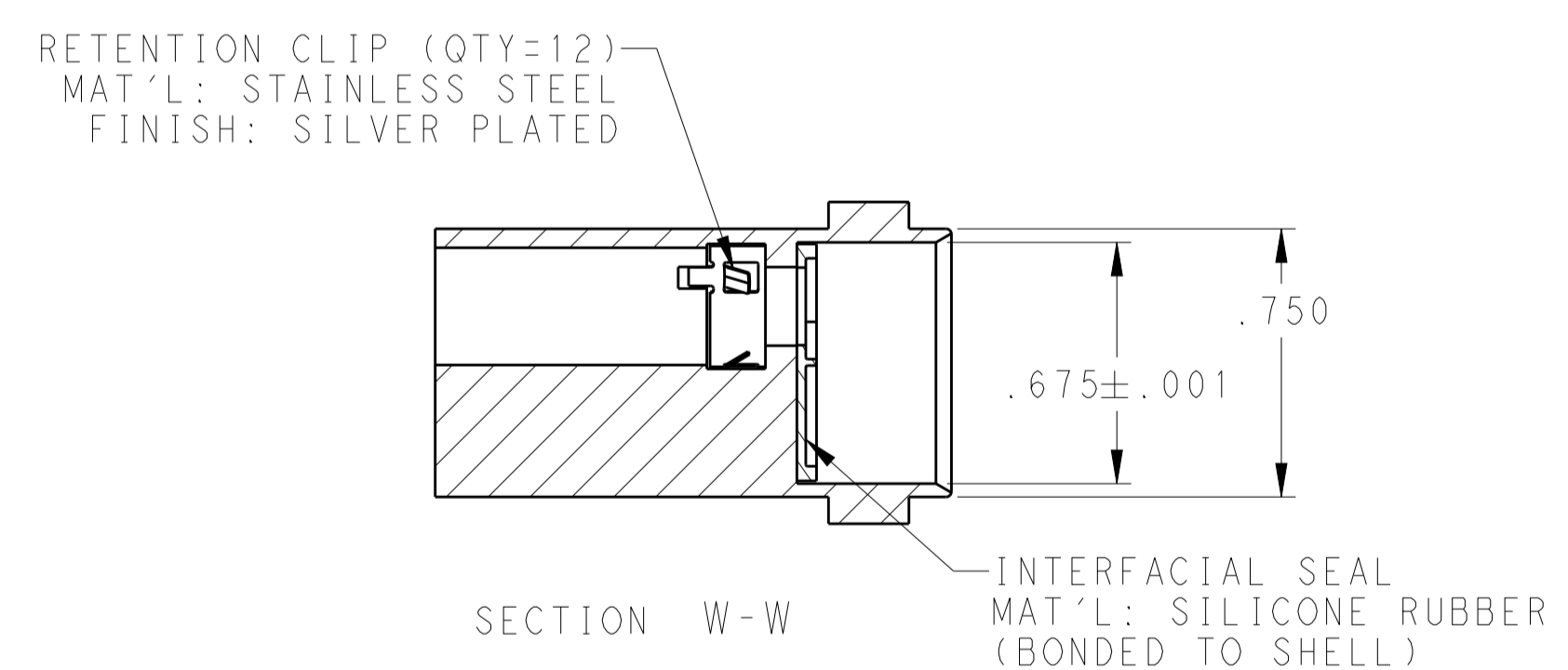
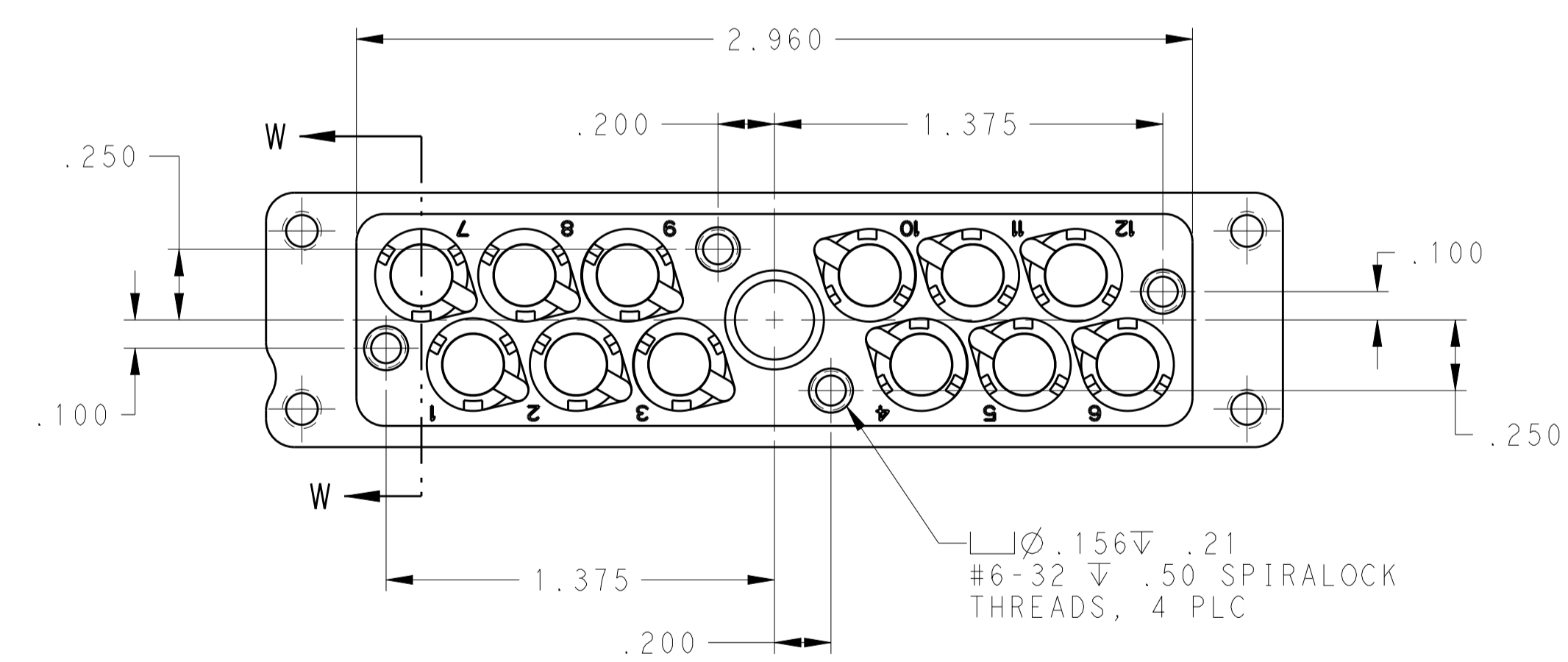
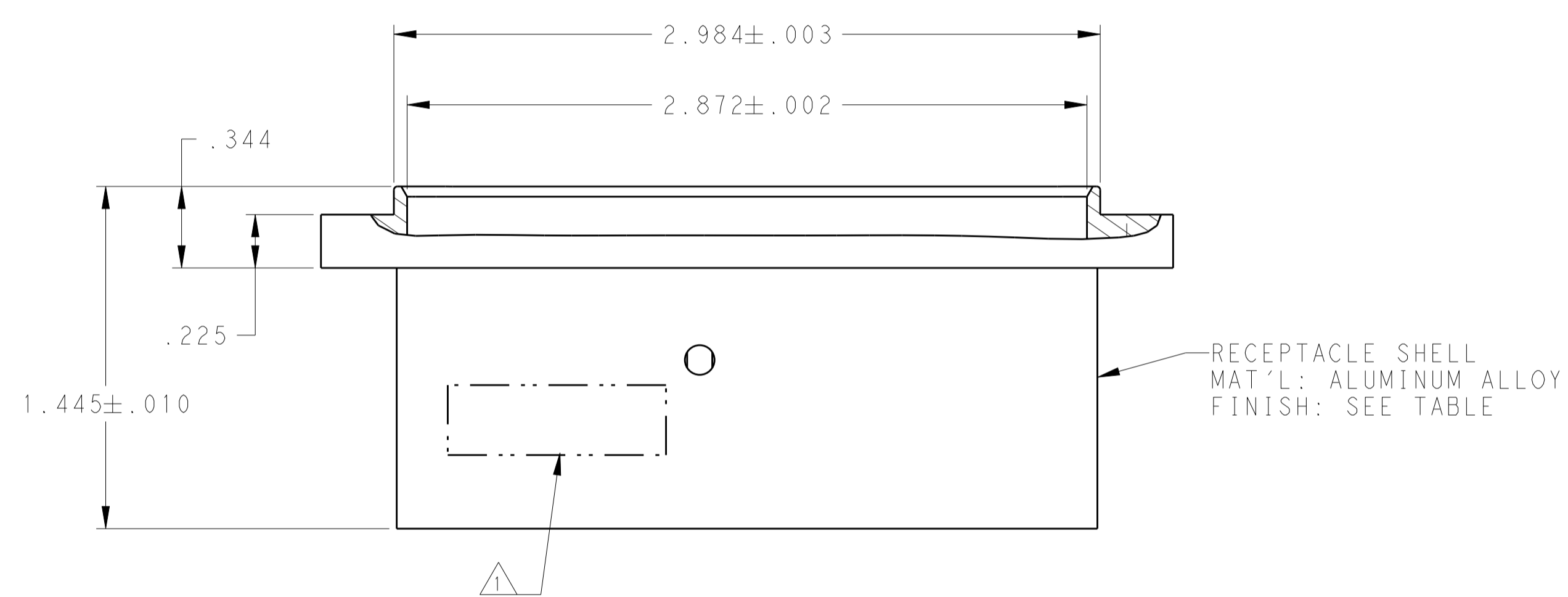
THIS DRAWING IS A CONTROLLED DOCUMENT.		DWN: C.C. THOMAS 29NOV2010	TE Connectivity
DIMENSIONS: INCHES		CHK: D. MILLER 29NOV2010	
TOLERANCES UNLESS OTHERWISE SPECIFIED:		APVD: D. MILLER 29NOV2010	NAME: RECEPTACLE ASSY, QUADRAX, PANEL MOUNT RR/RR, 12 POSITION PRODUCT SPEC: - APPLICATION SPEC: -
0 PLC ±.005		SIZE: A1	
MATERIAL: SEE CALLOUTS		WEIGHT: -	RESTRICTED TO: -
FINISH: SEE CALLOUTS		CUSTOMER DRAWING	SCALE: 2:1 SHEET 1 OF 2 REV H

REVISIONS				
P.	LTN.	DESCRIPTION	DATE	APVD.
-	-	SEE SHEET #1	-	-



**RCPT  
1604996-X  
CONDUCTIVE**

DUST COVER  
(INSTALLED FOR SHIPPING)



THIS DRAWING IS A CONTROLLED DOCUMENT.		DWN: C.C. THOMAS 29NOV2010	TE Connectivity
DIMENSIONS: INCHES		CHK: D. MILLER 29NOV2010	
TOLERANCES UNLESS OTHERWISE SPECIFIED:		APVD: D. MILLER 29NOV2010	NAME: RECEPTACLE ASSY, QUADRAX, PANEL MOUNT RR/RR, 12 POSITION
0 PLC ±	1 PLC ±	PRODUCT SPEC	SIZE: A100779
2 PLC ±	3 PLC ±.005	APPLICATION SPEC	CAGE CODE: 1604799
4 PLC ±	ANGLES ±	WEIGHT	RESTRICTED TO
MATERIAL: SEE CALLOUTS	FINISH: SEE CALLOUTS	CUSTOMER DRAWING	SCALE: 2:1 SHEET 2 OF 2 REV H