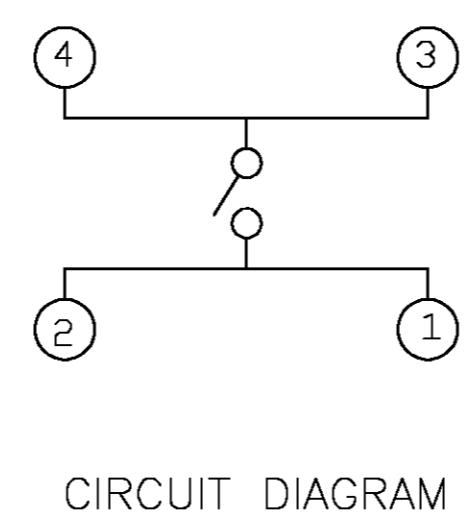
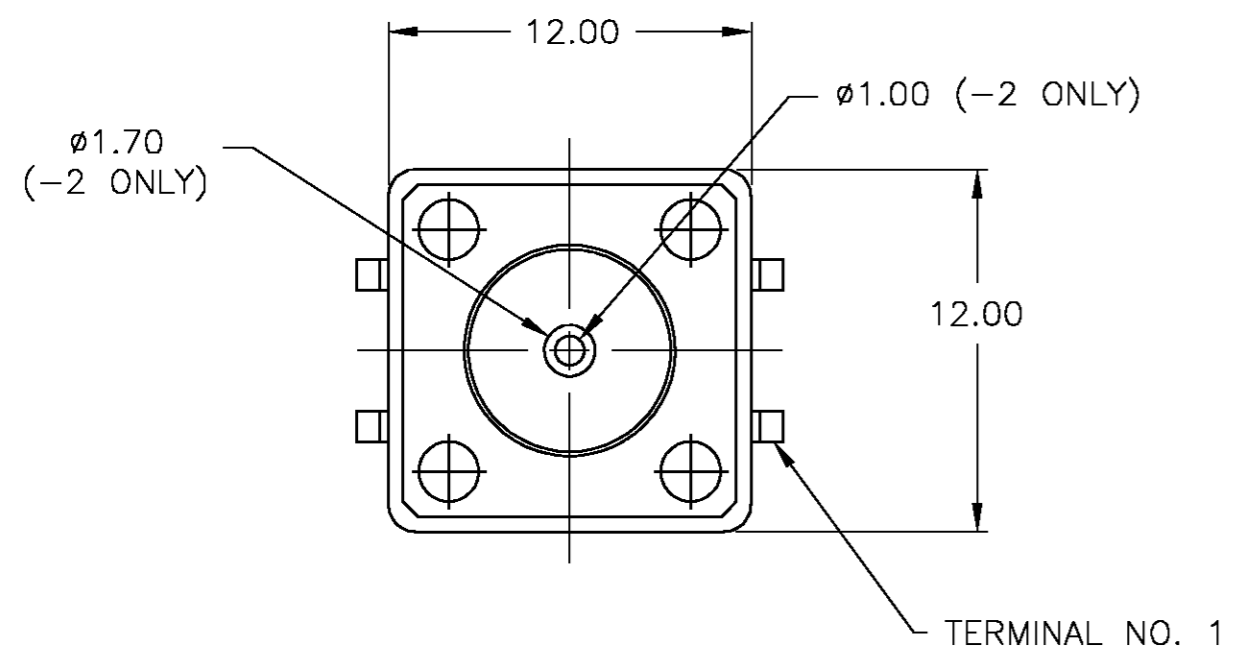


THIS DRAWING IS UNPUBLISHED. RELEASED FOR PUBLICATION
 © COPYRIGHT BY TYCO ELECTRONICS CORPORATION. ALL RIGHTS RESERVED.

LOC		DIST		REVISIONS			
P	LTR	DESCRIPTION	DATE	DWN	APVD		
	0	REV PER OG3C-0093-03	20OCT03	MJM	MS		



MATERIALS

CASE: THERMOPLASTIC, UL94-HB, BLACK
 COVER: THERMOPLASTIC
 ACTUATOR: THERMOPLASTIC, UL94-HB, RED
 MOVING CONTACT: COPPER ALLOY, SILVER CLAD
 FIXED CONTACT: COPPER ALLOY, SILVER PLATED

ELECTRICAL

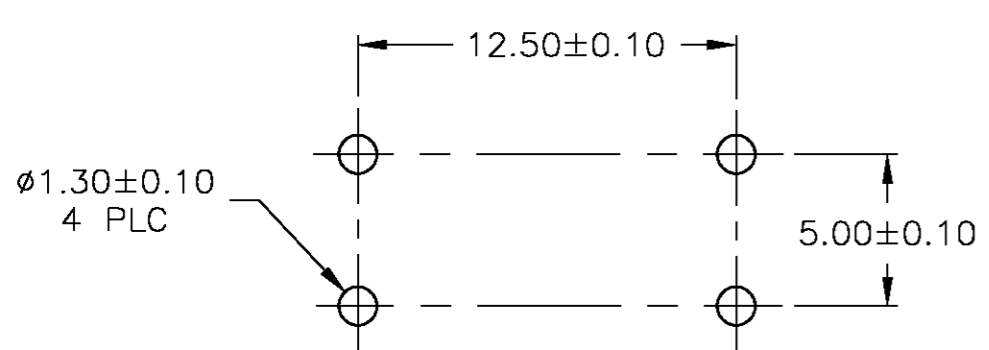
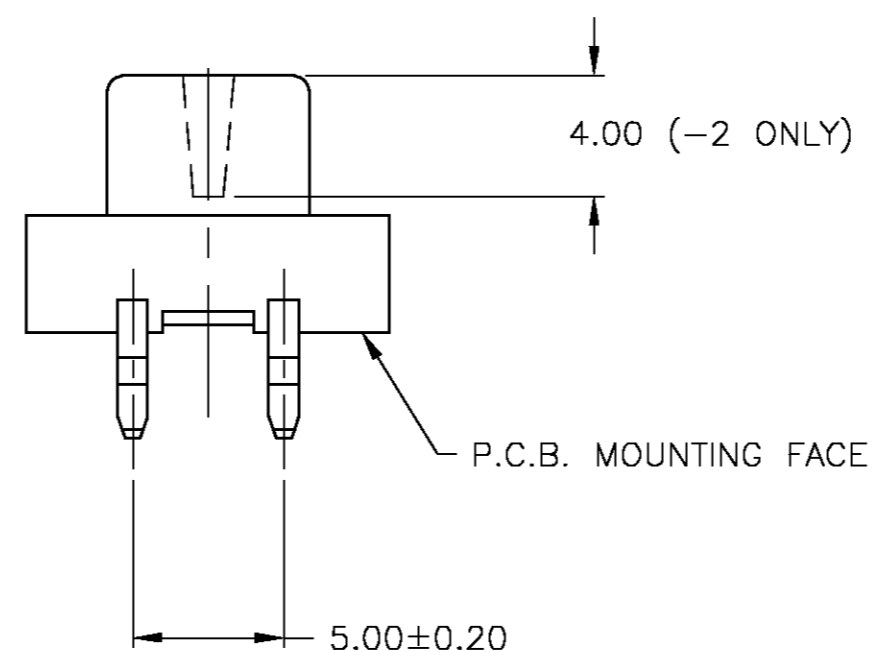
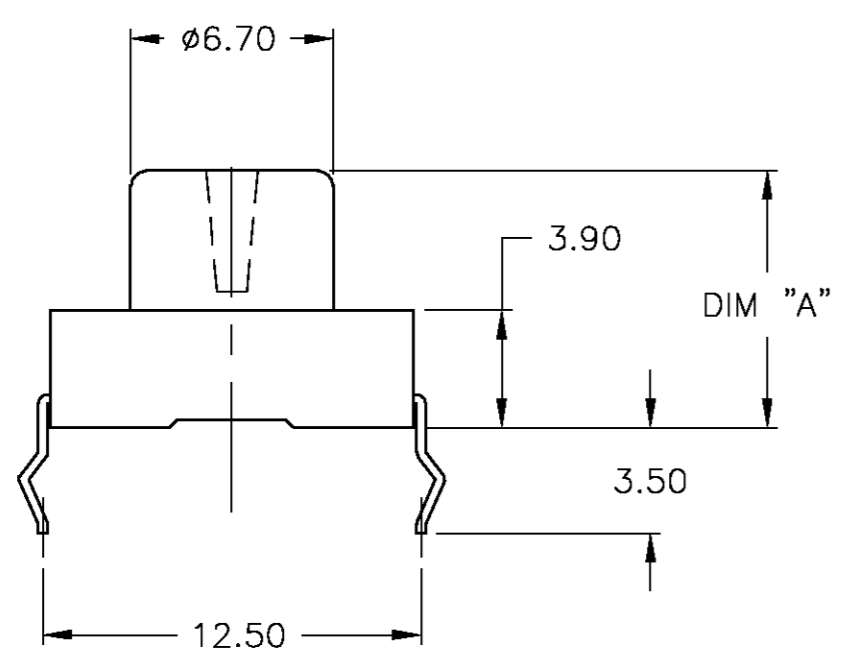
CONTACT RATING: 12VDC, 50mA
 INITIAL CONTACT RESISTANCE: 100 MILLIOHM MAX
 INSULATION RESISTANCE: 100 MEGOHMS MIN @ 100VDC
 DIELECTRIC STRENGTH: 250VAC
 LIFE EXPECTANCY: UP TO 100,000 CYCLES

MECHANICAL

ACTUATION FORCE: 260±50gf
 ACTUATION TRAVEL: 0.30±0.15
 ACTUATION OVER TRAVEL PROTECTION

ENVIRONMENTAL

OPERATING TEMPERATURE: -20°C TO +70°C, 45% TO 85% RH
 STORAGE TEMPERATURE: -20°C TO +70°C



P.C.B. MOUNTING HOLE DIMENSION

PRELIMINARY
 NOT RELEASED FOR
 PRODUCTION

AS SHOWN	8.5 MM	1571468-2
	4.3 MM	1571468-1
	DIM "A"	PART NUMBER

THIS DRAWING IS A CONTROLLED DOCUMENT.		DWN M. MOYER 20OCT03	Tyco Electronics Corporation Harrisburg, PA 17105	
DIMENSIONS: MM		CHK M. S. SARVER 20OCT03	APVD M. S. SARVER 20OCT03	
TOLERANCES UNLESS OTHERWISE SPECIFIED:		NAME M. S. SARVER		
0 PLC ± -		PRODUCT SPEC		
1 PLC ± -		APPLICATION SPEC		
2 PLC ± 0.30		-		
3 PLC ± -		WEIGHT		
4 PLC ± -		-		
ANGLES ± -		FINISH		
SEE NOTES		SEE NOTES		
MATERIAL		SIZE A2		
SEE NOTES		CAGE CODE 00779		
CUSTOMER DRAWING		DRAWING NO C=1571468		
		RESTRICTED TO		
		SCALE 4:1		
		SHEET 1 OF 1		
		REV 0		