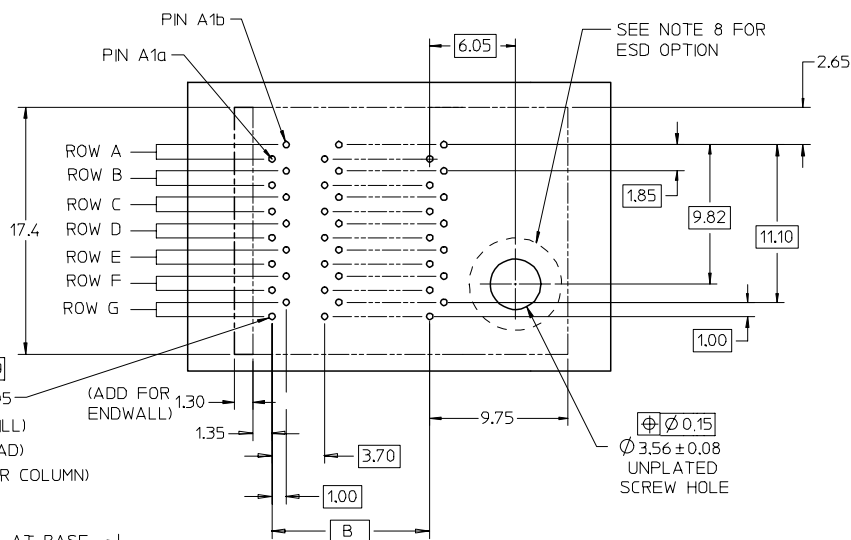
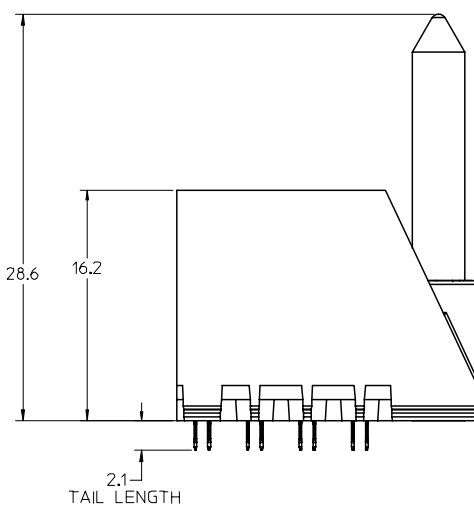
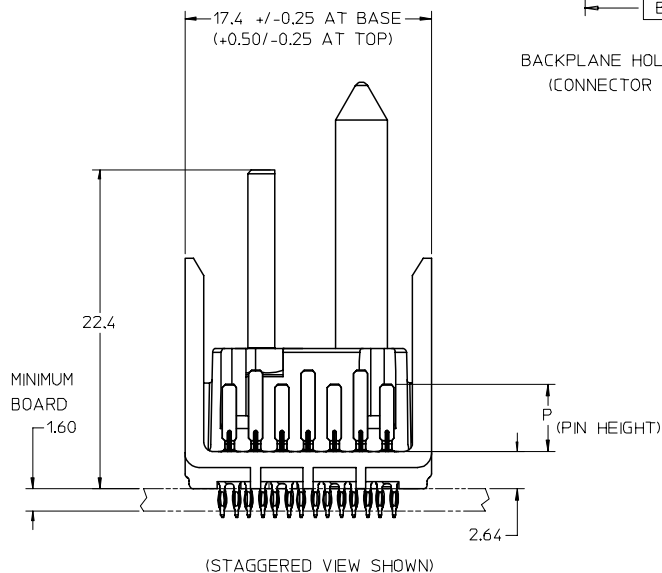


KEY SHOWN IN POSITION "E"



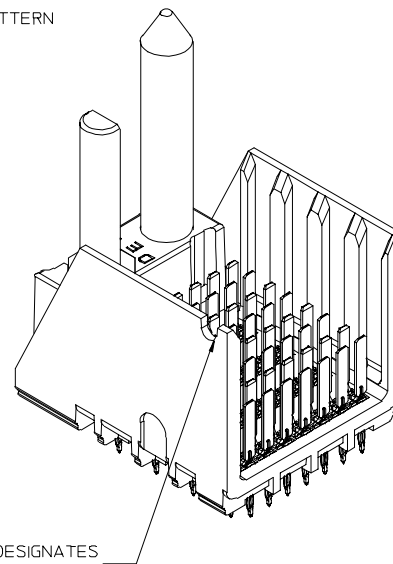
$\pm \phi 0.10$
 $\phi 0.46 \pm 0.05$
 ($\phi 0.57$ DRILL)
 ($\phi 0.88$ PAD)
 (14 HOLES PER COLUMN)

BACKPLANE HOLE PATTERN
 (CONNECTOR SIDE)



(STAGGERED VIEW SHOWN)

NOTCH DESIGNATES
 ROW A



UPDATE TOL EC NO: UCP2008-1145 DRAWN BY: BPI/SZCZOR CHKD: JL/AURX APPR: JL/AURX 2007/11/19 2007/11/19 2007/11/19	QUALITY SYMBOLS 	GENERAL TOLERANCES (UNLESS SPECIFIED)		DIMENSION STYLE MM ONLY		SCALE 4:1	DESIGN UNITS METRIC	THIRD ANGLE PROJECTION		
		4 PLACES ± --- ± ---	3 PLACES ± --- ± ---	2 PLACES ± 0.13 ± ---	1 PLACE ± 0.25 ± ---	ANGLULAR ± 1/2°	DRAWN BY BPI/SZCZOR DATE 3/28/06	CHECKED BY JL/AURX DATE 2007/02/06	APPROVED BY CBIXLER DATE 2007/02/06	TITLE I-TRAC BACKPLANE 7 ROW GUIDE RIGHT ASSEMBLY SALES DRAWING
		DRAFT WHERE APPLICABLE MUST REMAIN WITHIN DIMENSIONS			SIZE C	SEE CHART	MATERIAL NO. DOCUMENT NO. SD-76015-004	MOLEX INCORPORATED	SHEET NO. 1 OF 4	
		THIS DRAWING CONTAINS INFORMATION THAT IS PROPRIETARY TO MOLEX INCORPORATED AND SHOULD NOT BE USED WITHOUT WRITTEN PERMISSION								

76015-****

MODULE TYPE -- TAIL PLATING TYPE
 GUIDE RIGHT -- TIN/LEAD = 4
 GUIDE RIGHT -- TIN ONLY = 5
 GUIDE RIGHT W/END -- TIN/LEAD = 8
 GUIDE RIGHT W/END -- TIN ONLY = 9

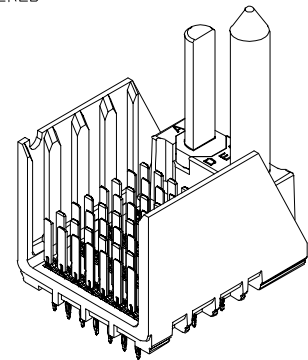
KEY ORIENTATION
 0 = NO KEY
 1 = A
 2 = B
 3 = C
 4 = D
 5 = E
 6 = F
 7 = G
 8 = H

PIN LENGTH (P)
 2 = 3.90
 3 = 4.70
 4 = 5.70
 5 = 4.70 & 5.70 STAGGERED

OF COLUMNS
 4 = 4 COL
 6 = 6 COL
 1 = 10 COL

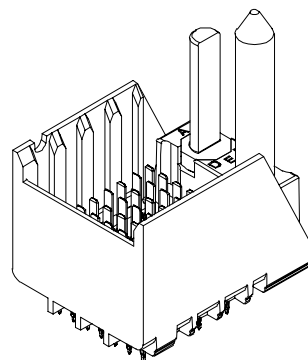
MATERIAL NUMBER	# OF COLUMNS	DIM 'A'	DIM 'B'
76015-4**	4	21.1	11.10
76015-6**	6	28.5	18.50
76015-1**	10	43.3	33.30

GUIDE LEFT STYLE



MATERIAL NUMBER	# OF COLUMNS	DIM 'A'	DIM 'B'
76015-4**	4	22.4	11.10
76015-6**	6	29.8	18.50
76015-1**	10	44.6	33.30

GUIDE LEFT W/END STYLE



NOTES:

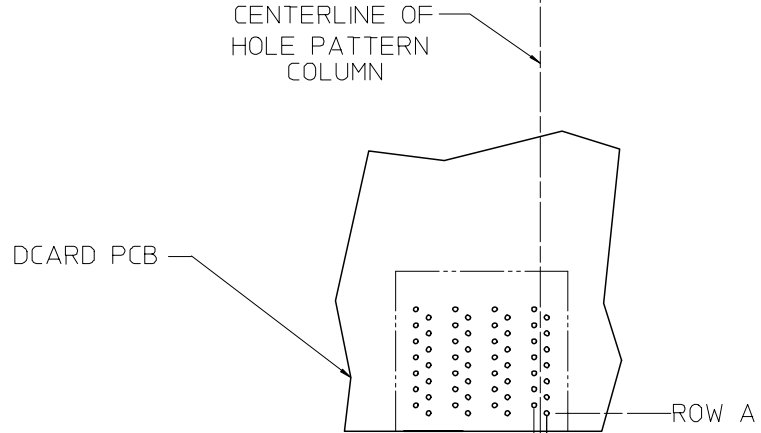
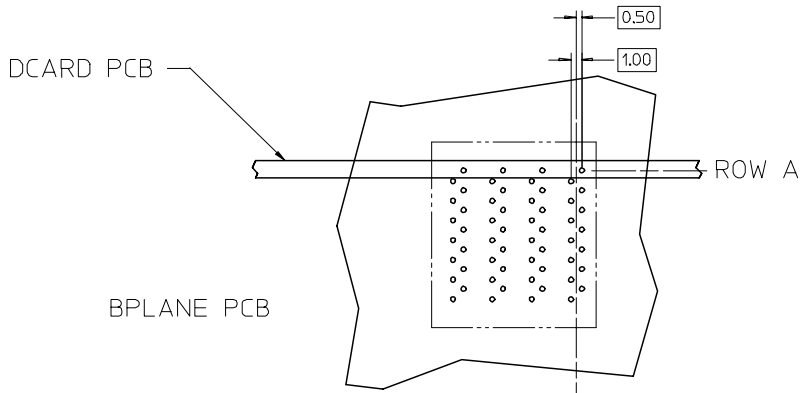
- MATERIALS: HOUSING - LIQUID CRYSTAL POLYMER (LCP)
GLASS-FILLED, UL94V-0
TERMINALS - HIGH PERFORMANCE COPPER ALLOY
- FINISH: 30µIN MIN. GOLD IN CONTACT AREA.
SELECTIVE TIN/LEAD OR SELECTIVE TIN
ON PCB TAILS. NICKEL OVERALL.
- REFER TO MOLEX PRODUCT SPECIFICATION PS-75710-999
FOR PERFORMANCE SPECIFICATIONS.
- FOR MIXED CONTACT MATING LENGTHS, CONSULT MOLEX
FOR AVAILABILITY.
- THIS PART CONFORMS TO CLASS B REQUIREMENTS OF
COSMETIC SPEC PS-45499-002.
- PACKAGE PER: PK-70873-125.
- GUIDED PARTS TO BE SHIPPED WITH 2-56 UNC B SCREW P/N 73774-1000.
- FOR GROUNDED GUIDE PINS USE DIA 3.56 +/-0.08 (PTH),
DIA 3.66 (DRILL), AND DIA 6.5 (PAD).
- REFER TO PCB ROUTING GUIDE FOR ANTI-PAD AND ROUTING RECOMMENDATIONS.

INITIAL RELEASE EC NO: UICP2008-1145 DRAWN: BPI SZCZOR 2007/11/19 CHKD: 2007/11/19 APPR: JLAURX 2007/11/19 REV:	QUALITY SYMBOLS ▽=0 ▽=0	GENERAL TOLERANCES (UNLESS SPECIFIED)		DIMENSION STYLE MM ONLY		SCALE 4:1	DESIGN UNITS METRIC	THIRD ANGLE PROJECTION		
		4 PLACES ±.00 ±.00	3 PLACES ±.00 ±.00	2 PLACES ±.03 ±.00	1 PLACE ±0.25 ±.00	ANGULAR ±1/2°	DRAWN BY BPI SZCZOR	DATE 3/28/06	TITLE I-TRAC BACKPLANE 7 ROW GUIDE RIGHT ASSEMBLY SALES DRAWING	
		DRAFT WHERE APPLICABLE MUST REMAIN WITHIN DIMENSIONS		SEE CHART	MATERIAL NO. SD-76015-004	DOCUMENT NO.	SHEET NO. 2 OF 4	MOLEX INCORPORATED		
		THIS DRAWING CONTAINS INFORMATION THAT IS PROPRIETARY TO MOLEX INCORPORATED AND SHOULD NOT BE USED WITHOUT WRITTEN PERMISSION								

13 12 11 10 9 8 7 6 5 4 3 2 1

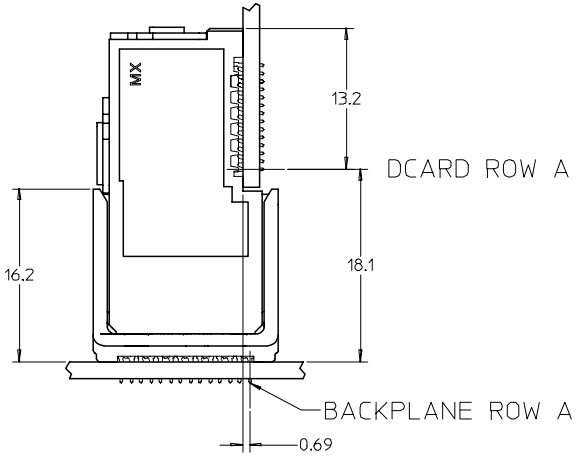
J
I
H
G
F
E
D
C
B
A

J
I
H
G
F
E
D
C
B
A



7 ROW I-TRAC
BOARD RELATIONSHIPS

SCALE 2:1

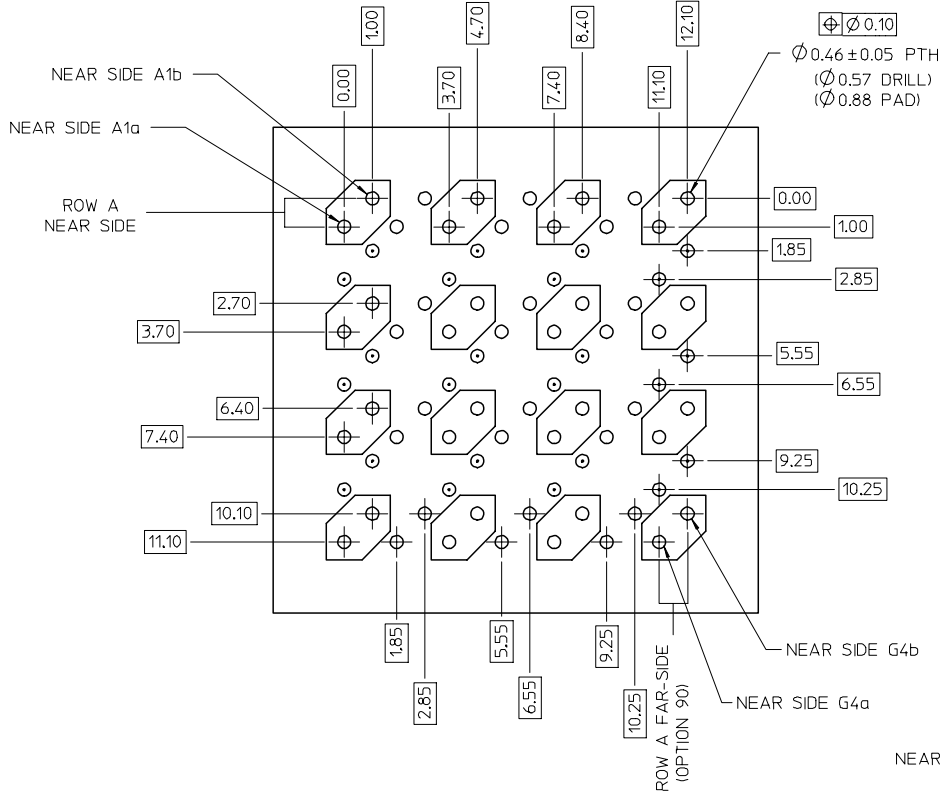


UPDATE DIMS EC NO: UCP2008-1145 DRAWN: BPI/SZCZOR 2007/11/19 CHKD: 2007/11/19 APPR: JLAURX 2007/11/19 REVISIONS DESCRIPTION	QUALITY SYMBOLS	GENERAL TOLERANCES (UNLESS SPECIFIED)	DIMENSION STYLE	SCALE	DESIGN UNITS	THIRD ANGLE PROJECTION	
	$\nabla=0$ $\nabla=0$	mm INCH 4 PLACES ± --- ± --- 3 PLACES ± --- ± --- 2 PLACES ± 0.13 ± --- 1 PLACE ± 0.25 ± --- ANGULAR ± 1/2°	MM ONLY	4:1	METRIC	THIRD ANGLE PROJECTION	
	DRAWN BY: BPI/SZCZOR CHECKED BY: JLAURX APPROVED BY: CBIXLER	DATE: 2007/11/19 DATE: 2007/02/06 DATE: 2007/02/06	DRAWN BY: BPI/SZCZOR CHECKED BY: JLAURX APPROVED BY: CBIXLER	DATE: 3/28/06 DATE: 2007/02/06 DATE: 2007/02/06	TITLE: I-TRAC BACKPLANE 7 ROW GUIDE RIGHT ASSEMBLY SALES DRAWING		
	MATERIAL NO.	DOCUMENT NO.	SIZE: SEE CHART	MOLEX INCORPORATED	SHEET NO. 3 OF 4	SD-76015-004	

13 12 11 10 9 8 7 6 5 4 3 2 1

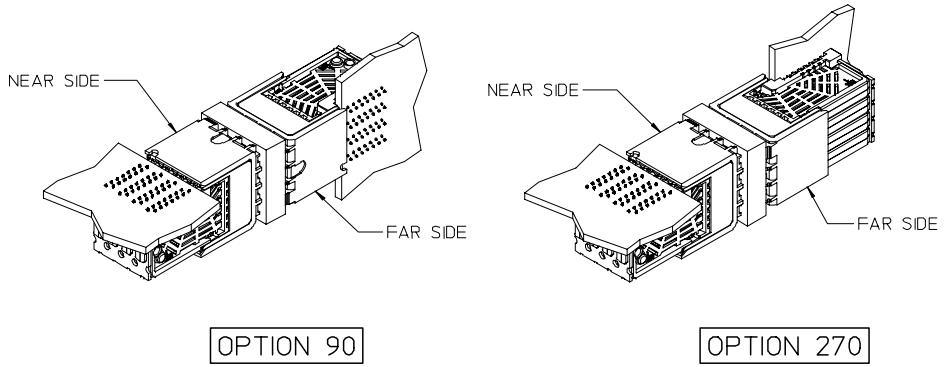
J
I
H
G
F
E
D
C
B
A

J
I
H
G
F
E
D
C
B
A



ORTHO PIN MAPPING			
OPTION 90 (NEAR SIDE - FAR SIDE)			
A1b-G4b	A2b-E4b	A3b-C4b	A4b-A4b
A1a-G4a	A2a-E4a	A3a-C4a	A4a-A4a
C1b-G3b	C2b-E3b	C3b-C3b	C4b-A3b
C1a-G3a	C2a-E3a	C3a-C3a	C4a-A3a
E1b-G2b	E2b-E2b	E3b-C2b	E4b-A2b
E1a-G2a	E2a-E2a	E3a-C2a	E4a-A2a
G1b-G1b	G2b-E1b	G3b-C1b	G4b-A1b
G1a-G1a	G2a-E1a	G3a-C1a	G4a-A1a

ORTHO PIN MAPPING			
OPTION 270 (NEAR SIDE - FAR SIDE)			
A1b-A1a	A2b-C1a	A3b-E1a	A4b-G1a
A1a-A1b	A2a-C1b	A3a-E1b	A4a-G1b
C1b-A2a	C2b-C2a	C3b-E2a	C4b-G2a
C1a-A2b	C2a-C2b	C3a-E2b	C4a-G2b
E1b-A3a	E2b-C3a	E3b-E3a	E4b-G3a
E1a-A3b	E2a-C3b	E3a-E3b	E4a-G3b
G1b-A4a	G2b-C4a	G3b-E4a	G4b-G4a
G1a-A4b	G2a-C4b	G3a-E4b	G4a-G4b



NOTES:



- ⊙ NEAR SIDE GROUNDS
- FAR SIDE GROUNDS

INITIAL RELEASE EC NO: UCP2008-1145 DRAWN: BPSZCZOR 2007/11/19 CHKD: JL AURX 2007/11/19 APPR: JL AURX 2007/11/19	QUALITY SYMBOLS ▽=0 ▽=0	GENERAL TOLERANCES (UNLESS SPECIFIED)		DIMENSION STYLE MM ONLY		SCALE 4:1	DESIGN UNITS METRIC	THIRD ANGLE PROJECTION	
		4 PLACES ± --- ± --- 3 PLACES ± --- ± --- 2 PLACES ± 0.13 ± --- 1 PLACE ± 0.25 ± --- ANGULAR ± 1/2°	mm INCH	DRAWN BY BPSZCZOR	DATE 3/28/06	CHECKED BY JL AURX	DATE 2007/02/06	I-TRAC BACKPLANE 7 ROW GUIDE RIGHT ASSEMBLY SALES DRAWING	
DRAFT WHERE APPLICABLE MUST REMAIN WITHIN DIMENSIONS		SEE CHART		APPROVED BY CBIXLER		DATE 2007/02/06		MOLEX INCORPORATED	
		MATERIAL NO.		DOCUMENT NO.		SD-76015-004		SHEET NO. 4 OF 4	