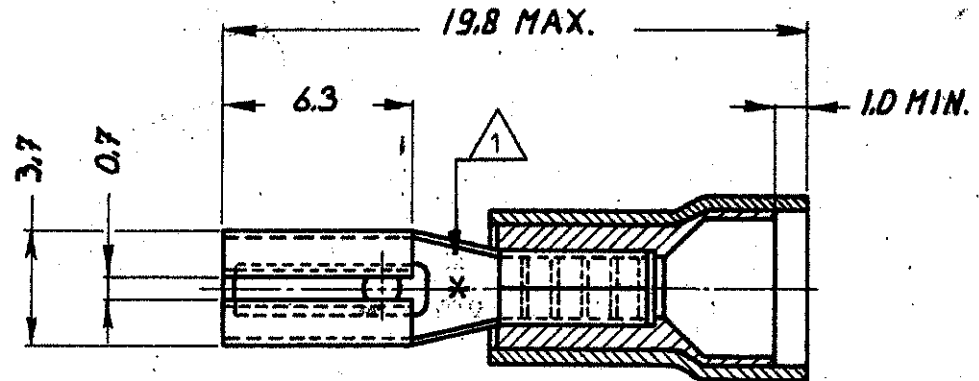


NUMBER C-165617

DRAWING MADE IN AMERICAN PROJECTION

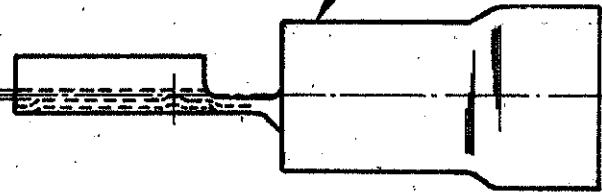
REVISIONS

P	LTR	DESCRIPTION	DATE	DWN	APVD
G1		REVISED PER ECO-17-002887	01SEP2017	RS	DR



FITS 0.8 TAB THK.

BLUE P.V.C INSULATION.



- ① ASTERISK \* FOR PH.BRONZE VERSION ONLY.
- \*\* FOR WIRES I.D UP TO 1.5 mm<sup>2</sup> CONTACT AMP
- ③ OBSOLETE W/O REPLACEMENT

<del>2-165617-5</del>	<del>165617-5</del>	<del>TAPE MOUNTED</del>
<del>2-165617-2</del>	<del>165617-2</del>	<del>TAPE MOUNTED</del>
③ <del>165617-4</del>	<del>PH. BRONZE</del>	<del>GOLD</del>
③ <del>165617-6</del>	<del>PH. BRONZE</del>	<del>SILVER</del>
165617-5	PH. BRONZE	TIN
③ <del>165617-4</del>	<del>BRASS</del>	<del>GOLD</del>
③ <del>165617-3</del>	<del>BRASS</del>	<del>SILVER</del>
165617-2	BRASS	TIN

**CUSTOMER COPY FOR REFERENCE ONLY**

©1981 BY AMP-HOLLAND N.V. ALL RIGHTS RESERVED A-MP PRODUCTS COVERED BY PATENTS AND/OR PATENTS PENDING.



TE Connectivity

WIRE-RANGE	INSUL.-RANGE	FIRST USED
1.5-2.5 mm <sup>2</sup> **	4.3mm. MAX.	

ORDER NO.	MATERIAL	PLATING
DR <b>B. WILLEMSSEN</b> DATE <b>NOV. 81</b>	DE	DATE
CHK <b>B. Jans</b> DATE <b>18-11-81</b>	APP	DATE <b>19-11-81</b>

SCALE	SIZE	NO	REV
<b>N.O.S.</b>	<b>A</b>	<b>C-165617</b>	<b>G1</b>
NAME <b>.110 SERIES PIDG FASTON RECEPTACLE</b>			

DIMENSIONS IN M.M. DO NOT SCALE PRINT