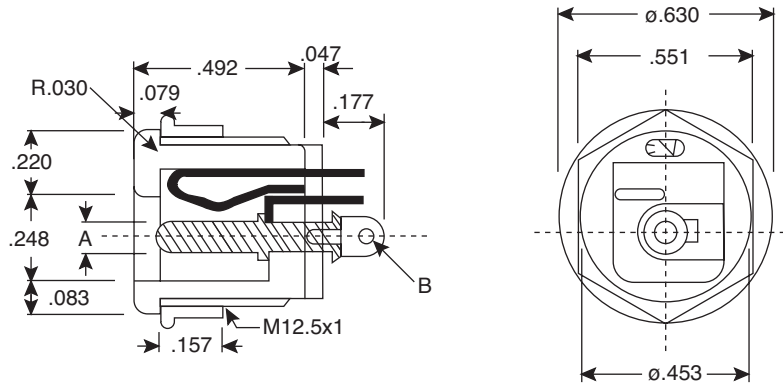
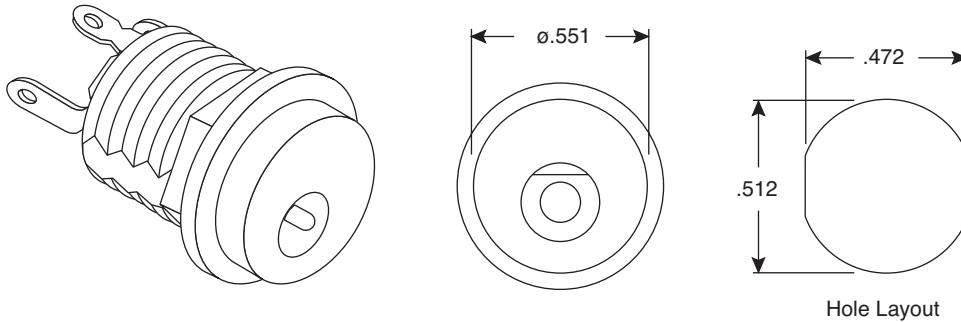


DC Power Jacks

163-4302-E, 163-4303-E



DC Power Jacks



DIMENSIONS: In.

SPECIFICATIONS	
Pin Size (A):	ø2mm (163-4302-E), ø2.35 (163-4303-E)
Contact Resistance:	30mΩ max.
Insulation Resistance:	100MΩ min. @ 250VDC
Breakdown Voltage:	250VAC for 1 minute
Rated Current:	0.5A @ 12/24V
Body:	ABS
Pin:	Nickel Plated Brass
Contact Spring:	Silver Plated Copper/Zinc/Aluminum Alloy
Terminals:	Silver Plated Brass Wire
Insulator:	Phenol
Nut:	Polymid 12.5mm P=1
B:	163-4302-E = ø.22 x .084 163-4303-E = ø.22 x .10
RoHS Compliant	

Date Last Revised: 4-1-11

Available from Mouser Electronics
1-800-346-6873 / www.mouser.com

KC-301339

163-4302-E, 163-4303-E