

REVISIONS

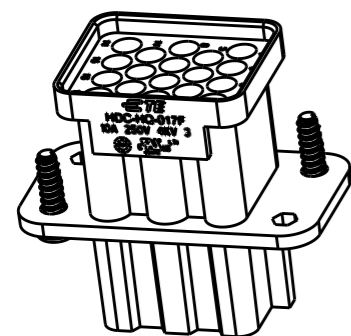
P	LTR	DESCRIPTION	DATE	DWN	APVD
	A	INITIAL	13OCT2016	CH	CW
	AI	ECR-18-004585	26MAR2018	DW	CW

NOTES:

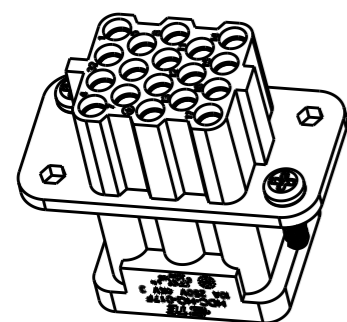
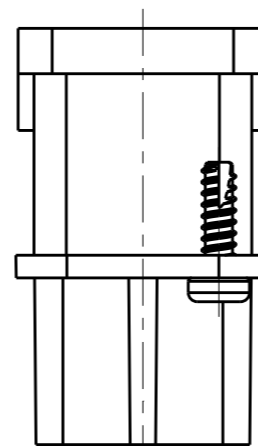
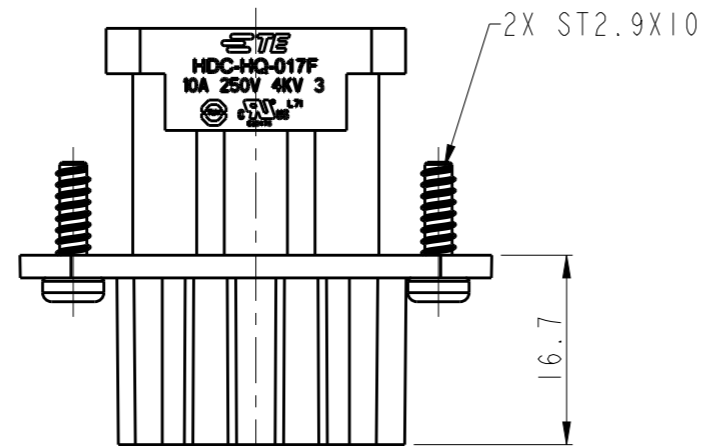
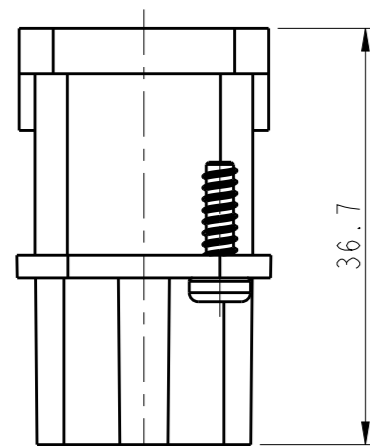
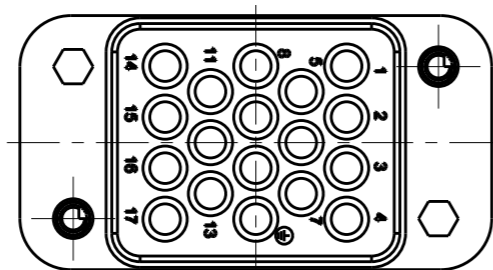
- TECHNICAL CHARACTERISTICS:
 INSULATION MATERIAL: PC (GRAY)
 RATED VOLTAGE: 250V
 RATED CURRENT: 10A
 INSULATION RESISTANCE: $\geq 400M\Omega$
 RATED IMPULSE VOLTAGE: 4KV
 POLLUTION DEGREE: 3
 FLAMMABILITY: UL94V-0
 MATING CYCLES: 500 CYCLES
 WIRE RANGE: 0.14mm²~2.5mm² (AWG26-AWG14)
 CONTACT TYPE: CRIMP CONTACT
- CONTACT NEED TO BE ORDERED SEPARATELY.
 (ORDER NO. REFER TO DRAWING: T20200X20XX000.)

注释:

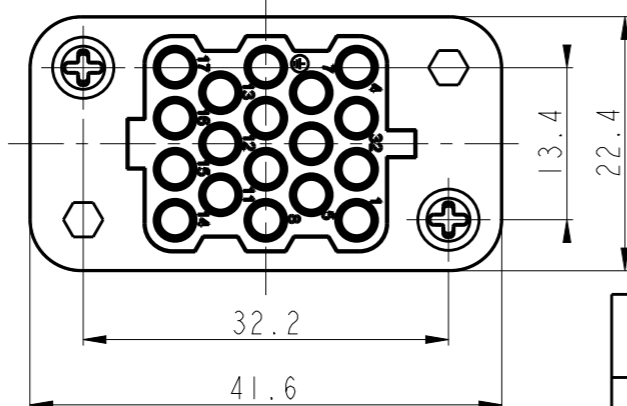
- 技术参数:
 绝缘材料: PC (GRAY)
 额定电压: 250V
 额定电流: 10A
 绝缘电阻: $\geq 400M\Omega$
 脉冲电压: 4KV
 污染等级: 3
 阻燃等级: UL94V-0
 插拔次数: 500次
 接线范围: 0.14mm²~2.5mm² (AWG26-AWG14)
 接线类型: 冷压接
- 端子需要单独订购.
 (订购单号参考图面:T20200X20XX000.)




SCALE 1:1



SCALE 1:1



T2080172201-000	HQ-017-F	HQ-017 FEMALE INSERT HQ-017母插
PART NUMBER 料号	PART DESCRIPTION 描述	

THIS DRAWING IS A CONTROLLED DOCUMENT.		DWN 13OCT2016 CHARLIE.HU	 TE Connectivity	
DIMENSIONS: mm		CHK 13OCT2016 KYLE.ZENG		
TOLERANCES UNLESS OTHERWISE SPECIFIED:		APVD 13OCT2016 CHRIS.WANG	NAME HQ-017-F	
0 PLC ±-		PRODUCT SPEC 108-137116	SIZE A3	
1 PLC ±-		APPLICATION SPEC 114-137116	CAGE CODE -	DRAWING NO T2080172201000
2 PLC ±-		WEIGHT -	RESTRICTED TO -	
3 PLC ±-		CUSTOMER DRAWING	SCALE 3:2	SHEET 1 OF 1
4 PLC ±-				REV AI
ANGLES ±				
FINISH				
MATERIAL				