

PLEASE CHECK WWW.MOLEX.COM FOR LATEST PART INFORMATION

Part Number: [130039-0341](#)
Status: **Active**
Overview: [DeviceNet* Solutions](#)
Description: Mini-Change 5 Pole Tee Adapter, DeviceNet, Female to Male

Documents:

[Drawing \(PDF\)](#) [RoHS Certificate of Compliance \(PDF\)](#)

Agency Certification

CSA LR6837
 UL E152210

General

Product Family Industrial Tees and Splitters
 Series [130039](#)
 IP Rating IP67
 Overview [DeviceNet* Solutions](#)
 Product Name DeviceNet* Trunk
 Type Drop Tee
 UPC 78678849469

Physical

Color - Cable Jacket Gray
 Drop Connector Mini-Change®
 Drop Gender Male
 Keyway Single
 LED Indicator No
 Left Trunk Connector Mini-Change®
 Left Trunk Gender Female
 Leg 1 Length N/A
 Leg 2 Length N/A
 Material - Cable Jacket N/A
 Material - Connector Body Nylon
 Material - Coupling Nut Die-Cast Zinc
 Poles 5
 Right Trunk Connector Mini-Change®
 Right Trunk Gender Male
 Temperature Range - Operating -20°C to +80°C

Electrical

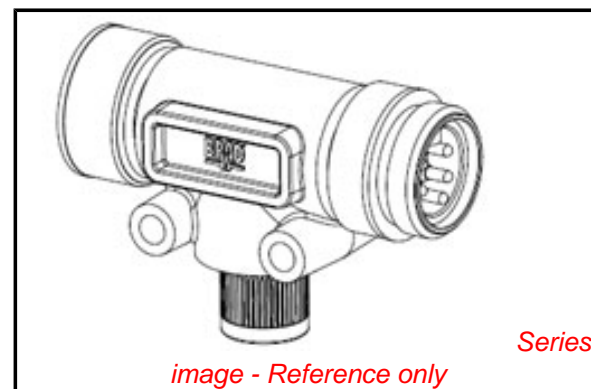
Current - Maximum per Contact 4.0A
 Voltage - Maximum 250V AC/DC

Material Info

Old Part Number DND3020

Reference - Drawing Numbers

Sales Drawing SD-130039-010



EU RoHS

RoHS Compliant by Exemption
REACH SVHC
 Not Reviewed
Low-Halogen Status
Not Reviewed

China RoHS



Need more information on product environmental compliance?

Email productcompliance@molex.com
 For a multiple part number RoHS Certificate of Compliance, [click here](#)

Please visit the [Contact Us](#) section for any non-product compliance questions.

Search Parts in this Series

130039Series