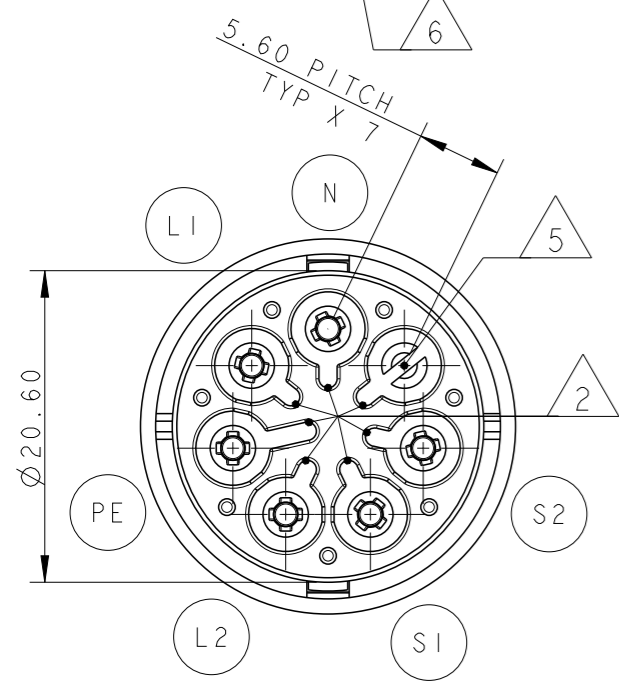
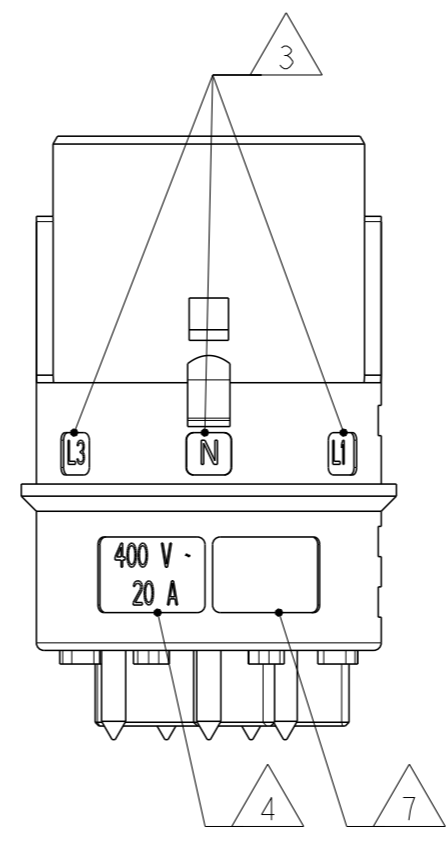
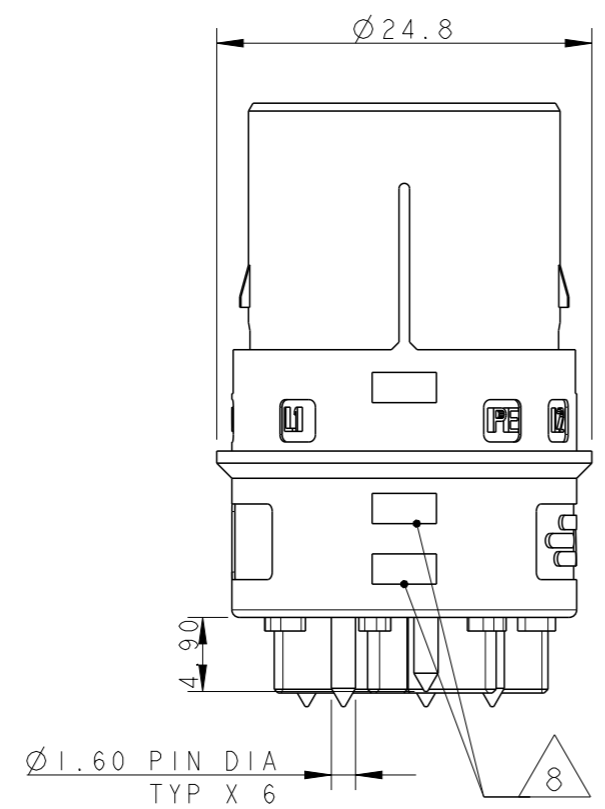
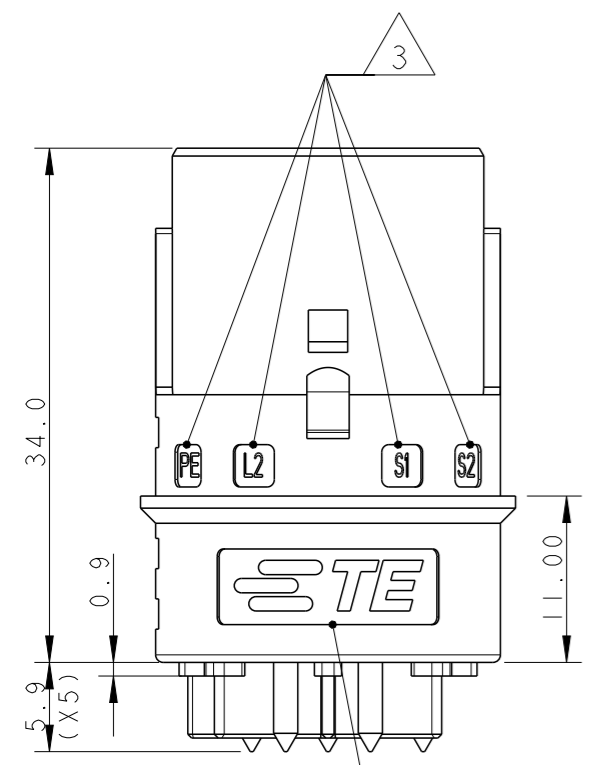


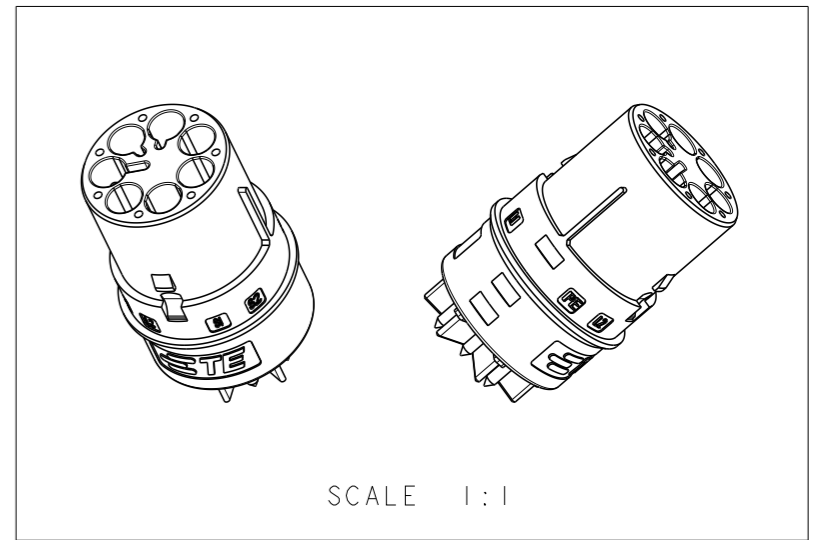
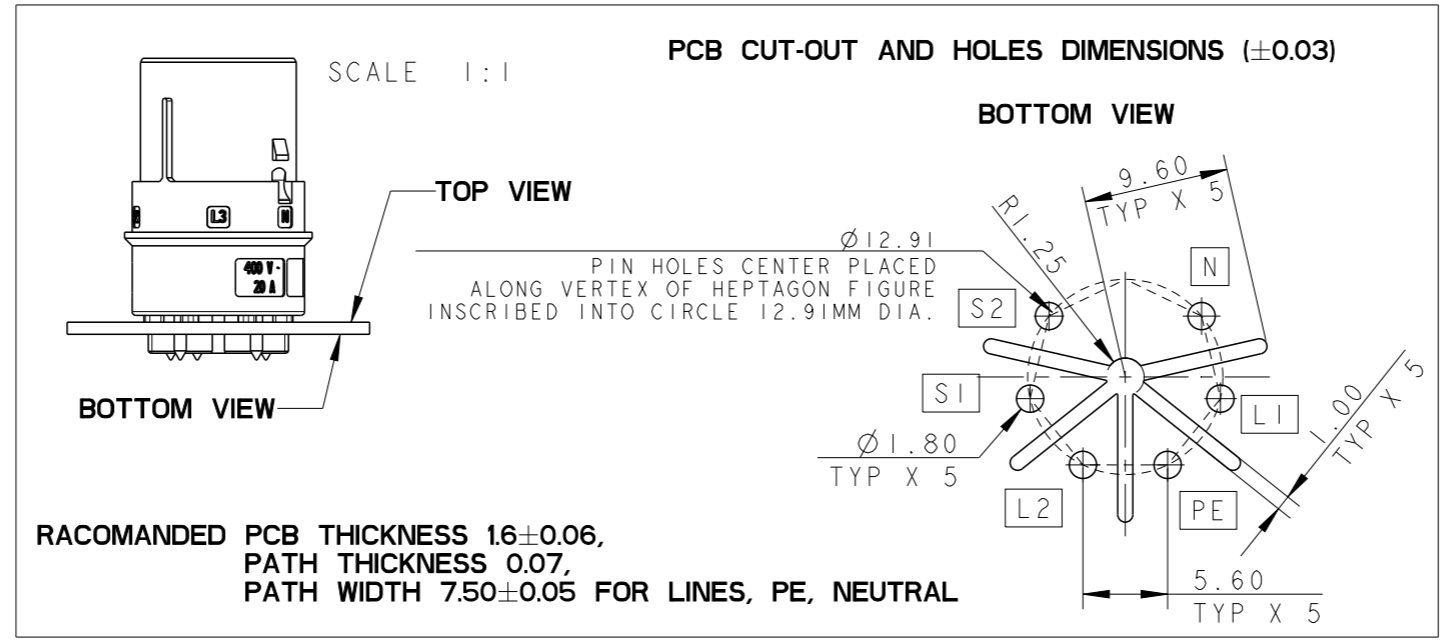
THIS DRAWING IS UNPUBLISHED. RELEASED FOR PUBLICATION 2011
 © COPYRIGHT 2011 BY - ALL RIGHTS RESERVED.

LOC 1
 DIST -

REVISIONS					
P	LTR	DESCRIPTION	DATE	DWN	APVD
5		UPDATED	23JUL2013	MZ	JC
A		PARTS RELEASED FOR PRODUCTION	14NOV2013	KR	JC



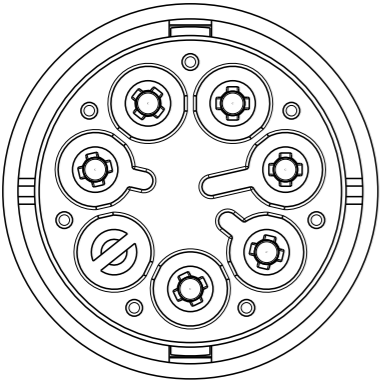
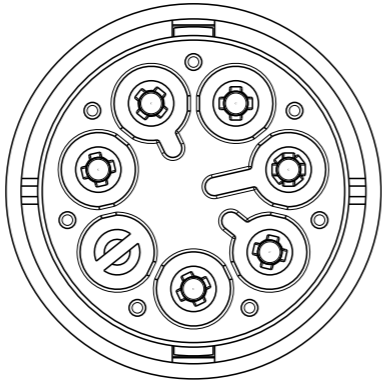
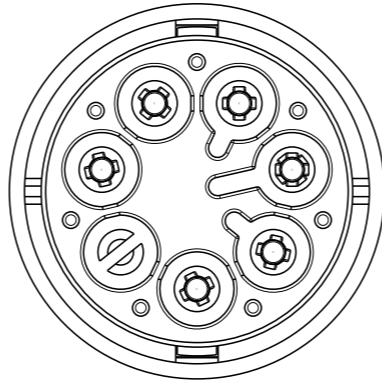
- NOTES:
- 1 MATERIAL: PA GF (NATURAL)
 - HOUSING: PA GF
 - CONTACTS: BRASS TIN PLATED
 - 2 ALL POLARIZATION KEYS SHOWN FOR REF ONLY
 - 3 WAYS I.D.
 - 4 VOLTAGE AND CURRENT RATINGS
 - 5 RIB CLOSING CAVITY BY CHANGE OVER
 - 6 TE LOGO
 - 7 AREA FOR AGENCIES APPROVAL LOGO
 - 8 VISUAL INDICATOR FOR PE CONDUCTOR

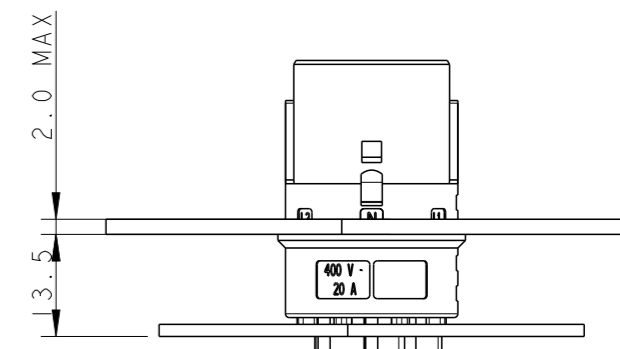


THIS DRAWING IS A CONTROLLED DOCUMENT.		DWN A. BERNARDI 31MAR2011	TE Connectivity		
DIMENSIONS: mm		CHK M. ZUCCA 31MAR2011			
TOLERANCES UNLESS OTHERWISE SPECIFIED:		APVD G. TURCO 31MAR2011	NAME PCB PIN CONNECTOR 6 POLES M-LINE NECTOR		
0 PLC ±- 1 PLC ±0.3 2 PLC ±0.20 3 PLC ±- 4 PLC ±- ANGLES ±3°		PRODUCT SPEC -	SIZE A300779 C-293672		
MATERIAL -		APPLICATION SPEC -	RESTRICTED TO -		
FINISH -		WEIGHT -	SCALE 2:1 SHEET 1 OF 2 REV A		
Customer Drawing					

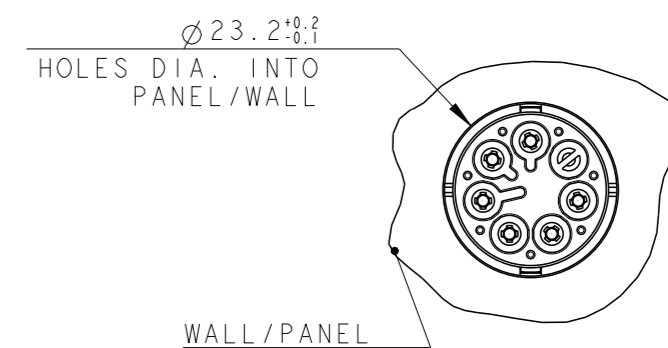
LOC	DIST	REVISIONS					
		P	LTR	DESCRIPTION	DATE	DWN	APVD
1	-	-	-	SEE SHEET 1	-	-	-

POLARIZATION TYPES




POLARIZATION TYPE "C"	POLARIZATION TYPE "D"	POLARIZATION TYPE "E"
		
PNs 0-293672-3	PNs 0-293672-4	PNs 0-293672-5


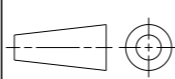


SCALE 1:1



WALL/PANEL

	E	NATURAL	PIN PCB CONN 6 POLES NECTOR* M-LINE	A	0-293672-5
	D	NATURAL	PIN PCB CONN 6 POLES NECTOR* M-LINE	A	0-293672-4
	C	NATURAL	PIN PCB CONN 6 POLES NECTOR* M-LINE	A	0-293672-3
NOTE	POL. KEYING	COLOUR	DESCRIPTION	REV.	P/N

THIS DRAWING IS A CONTROLLED DOCUMENT.		DWN A. BERNARDI 31MAR2011	 TE Connectivity		
DIMENSIONS: mm		CHK M. ZUCCA 31MAR2011			
TOLERANCES UNLESS OTHERWISE SPECIFIED:		APVD G. TURCO 31MAR2011	NAME PCB PIN CONNECTOR 6 POLES M-LINE NECTOR		
		PRODUCT SPEC -	SIZE A300779		
MATERIAL -		FINISH -	APPLICATION SPEC -	DRAWING NO C-293672	
		WEIGHT -	RESTRICTED TO -		
Customer Drawing			SCALE 2:1	SHEET 2 OF 2	REV A