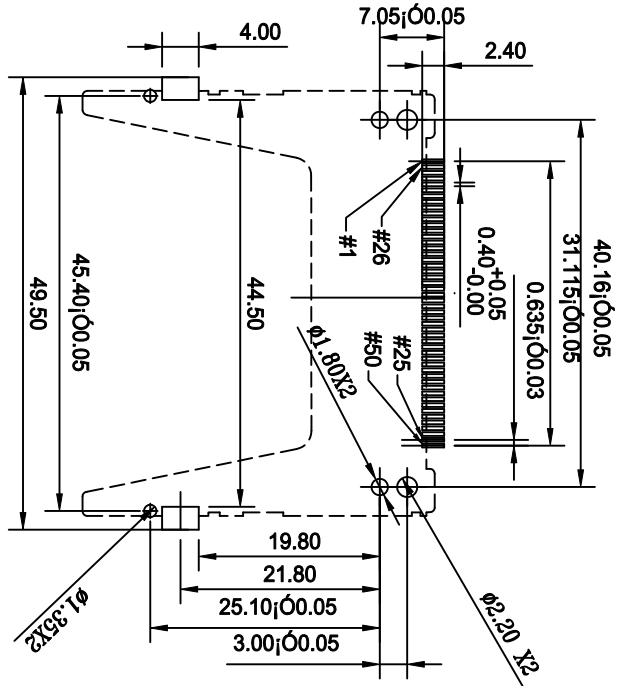


THE PUSH BUTTON POSITION

PIN NUMBER	DIM. L(PIN LENGTH)
25,26	3.50
ALL OTHER PINS	4.25
1, 13, 38, 50	5.00

mot'l. code		tolerances unless otherwise specified		CUSTOMER COPY		FCI		title		product family		code	
l/r	ecn no	dr	dtte	linear	scale	projection	www.fciconnect.com	CF ASS'Y, ABOVE MOUNT, LEFT PUSH, S/O=0	CF	TWN	sheet		1 of 4
A	T05-0258	A.C.	11/21/05	.XXX ± 0.20	MM	1st angle					sheet		1 of 4
B	T06-0038	A.C.	3/02/06	.XXX ± 0.10	NA	1st angle					sheet		1 of 4
C	T08-1173	S.LIN	10/12/08	0° ± 2°	MM	1st angle					sheet		1 of 4
sheet index		revision	sheet	1	2	3	A4		10061861	code		1 of 4	



Recommended PCB Pattern

mot'l. code	tolerances unless otherwise specified			CUSTOMER COPY		FCI	
l/r	ecn no	dr	dtte	linear	projection	title	code
A	T05-0258	A.C.	11/21/05	.XX ± 0.20	MM	CF ASS'Y, ABOVE MOUNT, LEFT PUSH, S/O=0	TWN
B	T06-0038	A.C.	3/02/06	.XXX ± 0.10	NA		sheet 3 of 4
C	T08-1173	S.LIN	10/12/08	0 ± 2°			
		dr	eng	chr	scale	product family	code
		ALLEN CHANG	11/03/05	STERLING LIN	NA	CF	TWN
		H.C LIU	11/03/05			10061861	sheet 3 of 4
sheet index	revision						
1	1	C	C	C			
2	2	C	C	C			
3	3	C	C	C			
cage code							



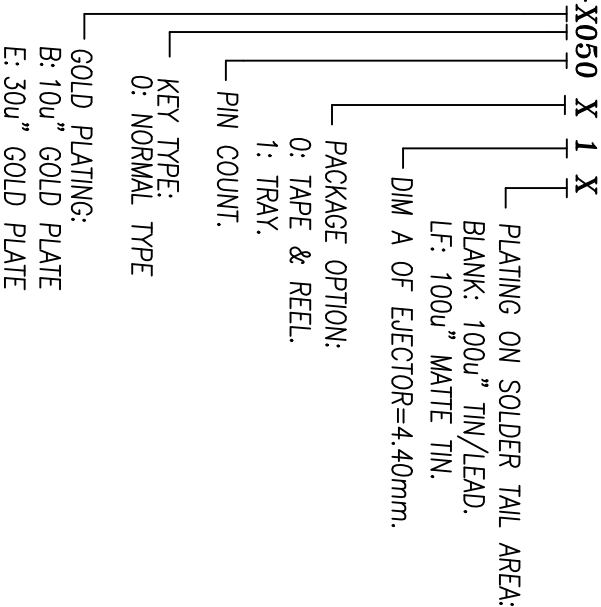
1 | 2

NOTES :

1. THIS IS THE ASSEMBLY TYPE WHICH INCLUDES HEADER 10053867-4E0501 AND EJECTOR 10053870-0150LF.
2. MATERIAL :
INSULATOR : HIGH TEMPERATURE THERMOPLASTIC
FLAMMABILITY RATING: UL94V-0
COLOR: IVORY
CONTACT : COPPER ALLOY
GROUND MOUNTING EAR: COPPER ALLOY
COVER: STAINLESS STEEL.
ARM: STAINLESS STEEL.
PUSH ROD : HIGH TEMPERATURE THERMOPLASTIC
FLAMMABILITY RATING: UL94V-0
COLOR: BLACK
RIVET : COPPER ALLOY
3. PLATING :
CONTACT AREA: SELECTIVE GOLD (SEE P/N DESCRIPTION)
UNDER PLATING: 50u" NICKEL OVERALL
SOLDER TAIL AREA: 100u" TIN/LEAD OR 100u" MATTE TIN
GROUND MOUNT EAR AREA: 100u" TIN/LEAD OR 100u" MATTE TIN
4. SOLDER TAILS TO BE WITHIN 0.05 UPWARD AND 0.2 DOWNWARD FROM Z-DATUM PLACE, AND COPLANARITY OF SOLDER TAILS TO BE WITHIN 0.10mm.
5. PRODUCT SPEC: GS-12-240.
6. PACKAGING SPEC: GS-14-1040.

7. Part Number Description:

P/N: 10061861-X050 X 1 X



8. THIS PRODUCT (10061861-XXXXXXLF) MEETS THE EUROPEAN UNION DIRECTIVE AS DESCRIBED IN GS-22-008.
9. THIS PRODUCT (10061861-XXXXXX) MEETS THE EUROPEAN UNION DIRECTIVE AS DESCRIBED IN GS-22-008 EXCEPT FOR Pb.
10. THE HOUSING WILL WITHSTAND EXPOSURE TO 260°C PEAK TEMPERATURE FOR 10 SECONDS IN A CONVECTION, IR OR VAPER PHASE REFLOW OVEN.
11. THE PRODUCTS WHERE THE PART NUMBER ENDS IN "LF" MEET THE CRITERIA SHOWN IN THE NOTES 8 AND 10.

mot'l. code	tolerances unless otherwise specified		CUSTOMER COPY	FCI	title	product family	code
ltr	ecn no	dr	dtte	lineor	projection	scale	size/ dwg no
A	T05-0258	A.C.	11/21/05	.XX ± 0.20	MM	CF	CF ASS'Y, ABOVE MOUNT, LEFT PUSH, S/O=0
B	T06-0038	A.C.	3/02/06	.XXX ± 0.10	MM	CF	CF ASS'Y, ABOVE MOUNT, LEFT PUSH, S/O=0
C	T08-1173	S.LIN	10/12/08	0° ± 2°	MM	CF	CF ASS'Y, ABOVE MOUNT, LEFT PUSH, S/O=0
sheet	revision	C	C	chr	eng/ALLEN CHANG	11/03/05	code
index	sheet	1	2	oppl	H.C LIU	11/03/05	TWN
							sheet
							2 of 4

1 | 2

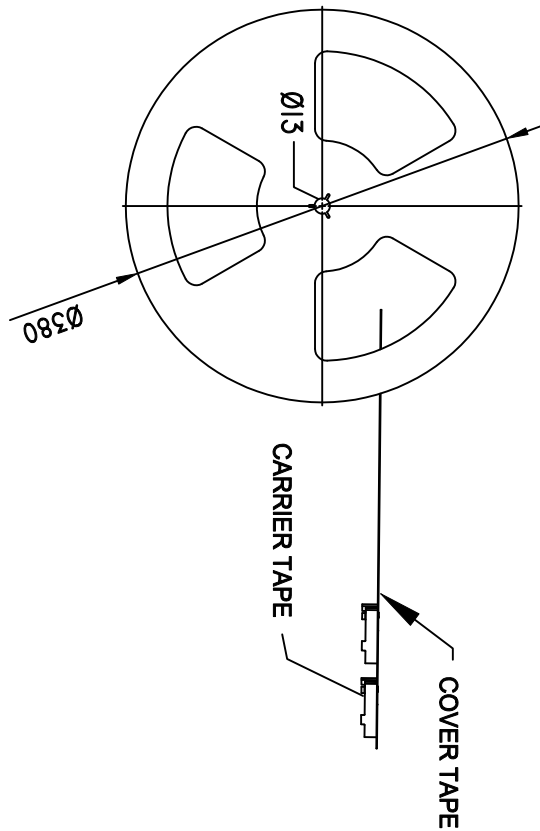
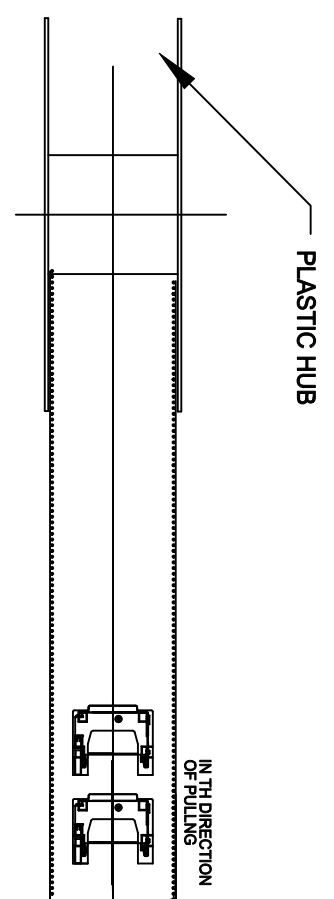
3 |

4

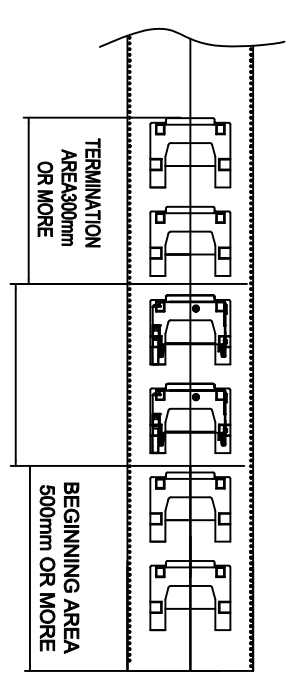
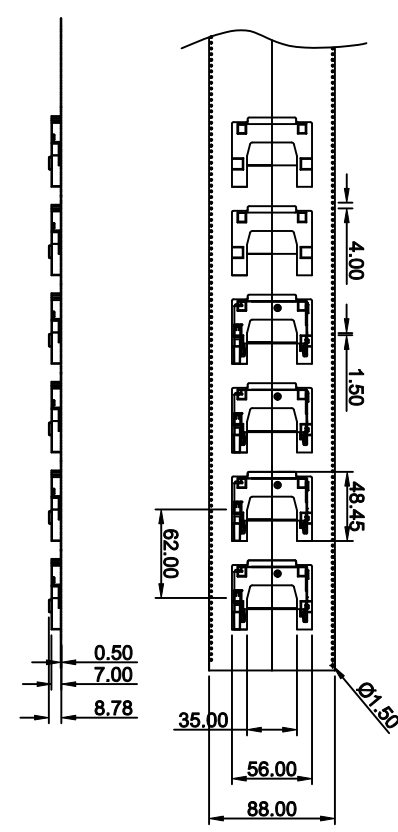
ACAD

3 |

4



- NOTES:**
 1. CARRIER TAPE: PS T=0.4MM
 2. COVER TAPE: PE
 3. PLASTIC HUB: PS



CONNECTOR PACKAGING
 AREA QUANTITY: 150PCS

COMPOSITION OF PACKAGING

mot'l. code		tolerances unless otherwise specified		CUSTOMER COPY		FCI		title		code	
l/r	ech no	dr	dtte	linear	projection	scale	product family	size	dwg no	code	sheet
A	T05-0258	A.C.	11/21/05	.XX ± 0.20	MM	NA	CF	10061861	TWN	4 of 4	
B	T06-0038	A.C.	3/02/06	.XXX ± 0.10							
C	T08-1173	S.LIN	10/12/08	0° ± 2°							
sheet index		revision	sheet	1	2	3	cage code				

ACAD