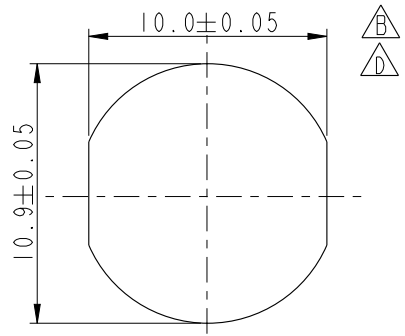
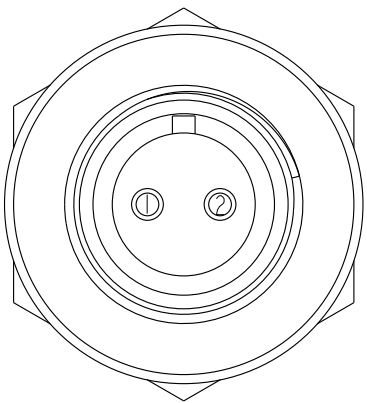


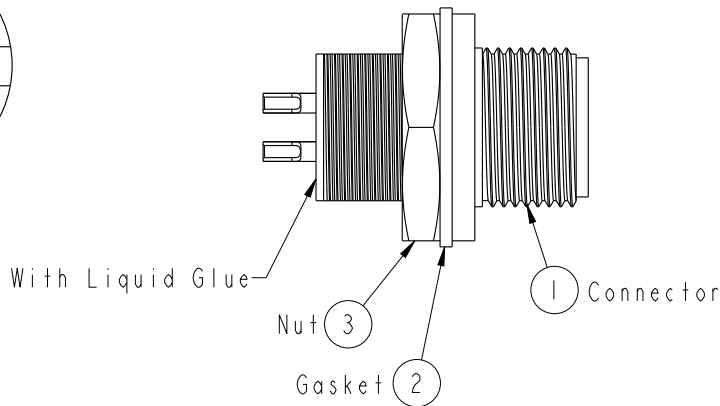
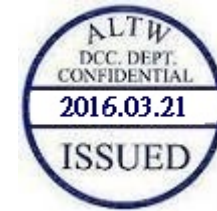
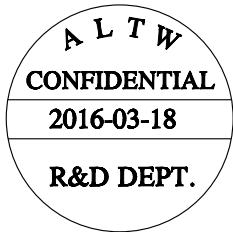
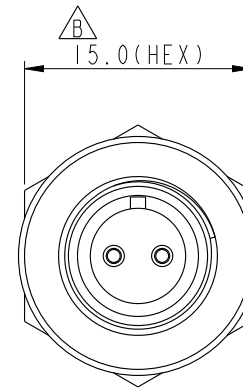
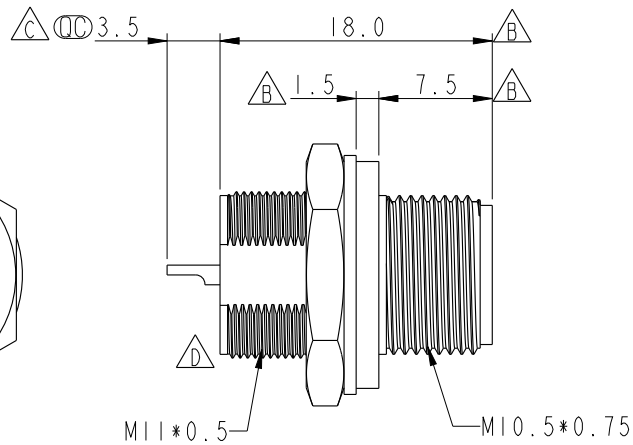
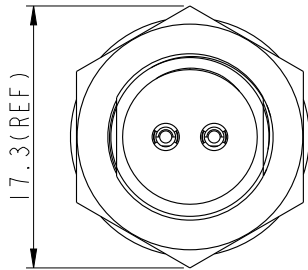
REV.	ECN NO.	DATE	SIGN	DESCRIPTION
B	LE3-910079	2009/01/15	Vicky	Update the drawing.
C	LEN13C0088	2013/12/06	Tony_leng	Change 3.3 To 3.5mm
D	LEN1630389	2016/03/18	Yulong_wang	Change Shell No. From BAB0036N100 to BAB0010053.



Recommended Panel Cut-Out



Pin Assignments  
Front View



Notes:

- \* (CC) Important Dimension.
- \* Waterproof Rate: IP67.
- \* Connector: Black, Nylon+GF.
- \* Female Pin: Copper Alloy, Gold Plated.
- \* Gasket: Black, EPDM.
- \* Nut: Copper Alloy, Nickel Plated.
- \* Shield: Copper Alloy, Nickel Plated.
- \* For Panel Thickness Max: 6.0mm.
- \* Nut Torque: 4~6 Kgf.cm

UNIT:mm		
TOLERANCE	.X ±0.25	
	.XX ±0.1	
	.XXX ±0.05	
ANGLES	±1°	

TITLE	M10.5 Conn Panel Screw 2P M Conn F Pin		
SCALE	2:1	SIZE	A4
REV.	D	WC-REV.	B.2
		(CC)	Inspection item

**Amphenol LTW**  
安費諾亮泰企業股份有限公司

ITEM NO	105-02PMFS-SC7001	DRAWN BY	Yulong_wang	DATE	2016-03-18
DWG NO	105-02PMFS-SC7001	CHECKED BY	Cary	DATE	2016-03-18
CUSTOMER	ALTW	APPROVED BY	Jerry	DATE	2016-03-18

THIS DOCUMENT IS SUBJECT TO CHANGE WITHOUT NOTICE. IT IS CONFIDENTIAL AND A PROPERTY OF AMPHENOL LTW. DISCLOSURE TO THIRD PARTY HAS TO BE AUTHORIZED BY AMPHENOL LTW.