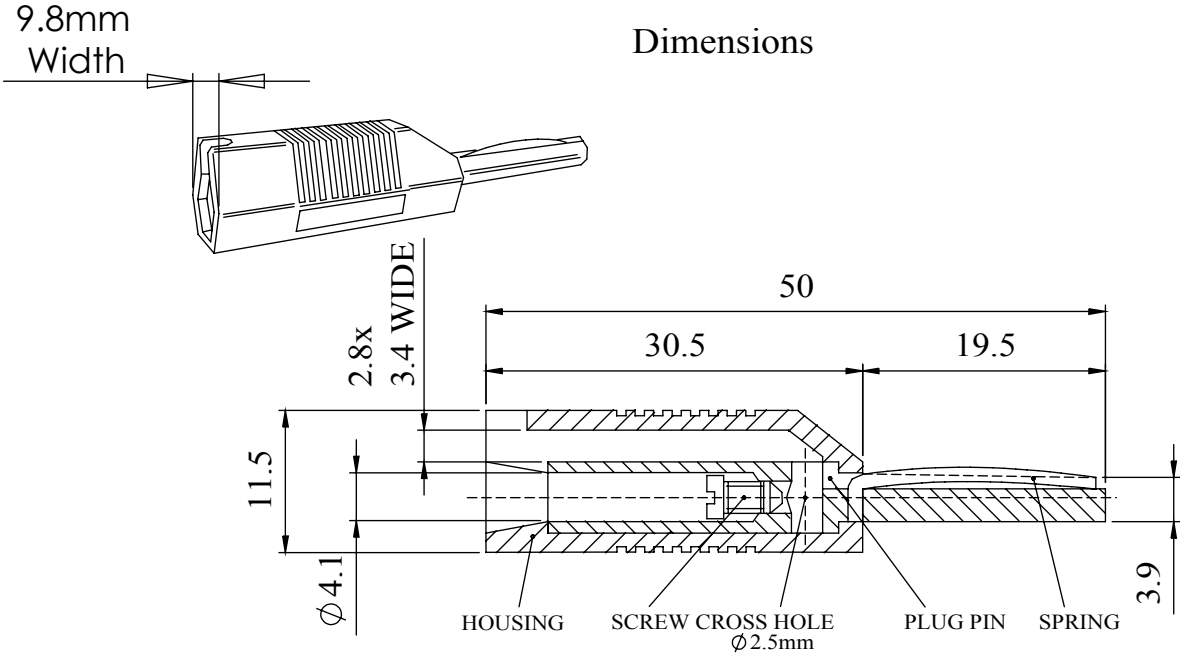


A 4mm plug at the front and 4mm socket at the rear provides a reliable in-line stacking facility. The lead wire is clamped securely in position by the screw located inside the plug. The pliable PVC housing comes in various colours.

Dimensions



- MATERIALS**
- HOUSING : PVC C36/20
 - SCREW : Brass, bright nickel plated
 - PLUG PIN : Brass, bright nickel plated
 - SPRING : Spring Steel
 - RATING : 16 Amps
 - RATED VOLTAGE : 50V

COLOUR	ORDER CODE
BLACK	553-0100
BLUE	553-0200
BROWN	553-0300
GREEN	553-0400
RED	553-0500
WHITE	553-0600
YELLOW	553-0700

Tel No. +44(0)1724 273200 Website www.dem-uk.com

PROPRIETARY AND CONFIDENTIAL
 THE INFORMATION CONTAINED IN THIS DRAWING IS THE SOLE PROPERTY OF ALPHA 3 MANUFACTURING.
 ANY REPRODUCTION IN PART OR AS A WHOLE WITHOUT THE WRITTEN PERMISSION OF ALPHA 3 MANUFACTURING IS PROHIBITED.

DEM Manufacturing, Deltron Emcon House
 Hargreaves Way, Sawcliffe Ind. Park,
 Scunthorpe, North Lincolnshire, DN15 8RF, UK

UNLESS OTHERWISE SPECIFIED:
 DIMENSIONS ARE IN MILLIMETRES
 LINEAR TOLERANCE:
NO DECIMAL PLACES ±0.5mm
1 DECIMAL PLACE ±0.25mm
2 DECIMAL PLACES ±0.125mm
 ANGULAR TOLERANCE: ±1°

FINISH	STACKABLE PLUG	DEBURR AND BREAK SHARP EDGES
	-	-
IF IN DOUBT ASK DO NOT SCALE DRAWING		
MATERIAL	SEE NOTE	

DRAWN BY	SPB
APPROVED BY	WC
THIRD ANGLE PROJECTION	SHEET 1 OF 1
	SCALE 1:1
	A4

TITLE	GENERAL SPECIFICATION FOR 553 SERIES	
DRAWING NO.	553 SERIES	ISSUE 07
		Release