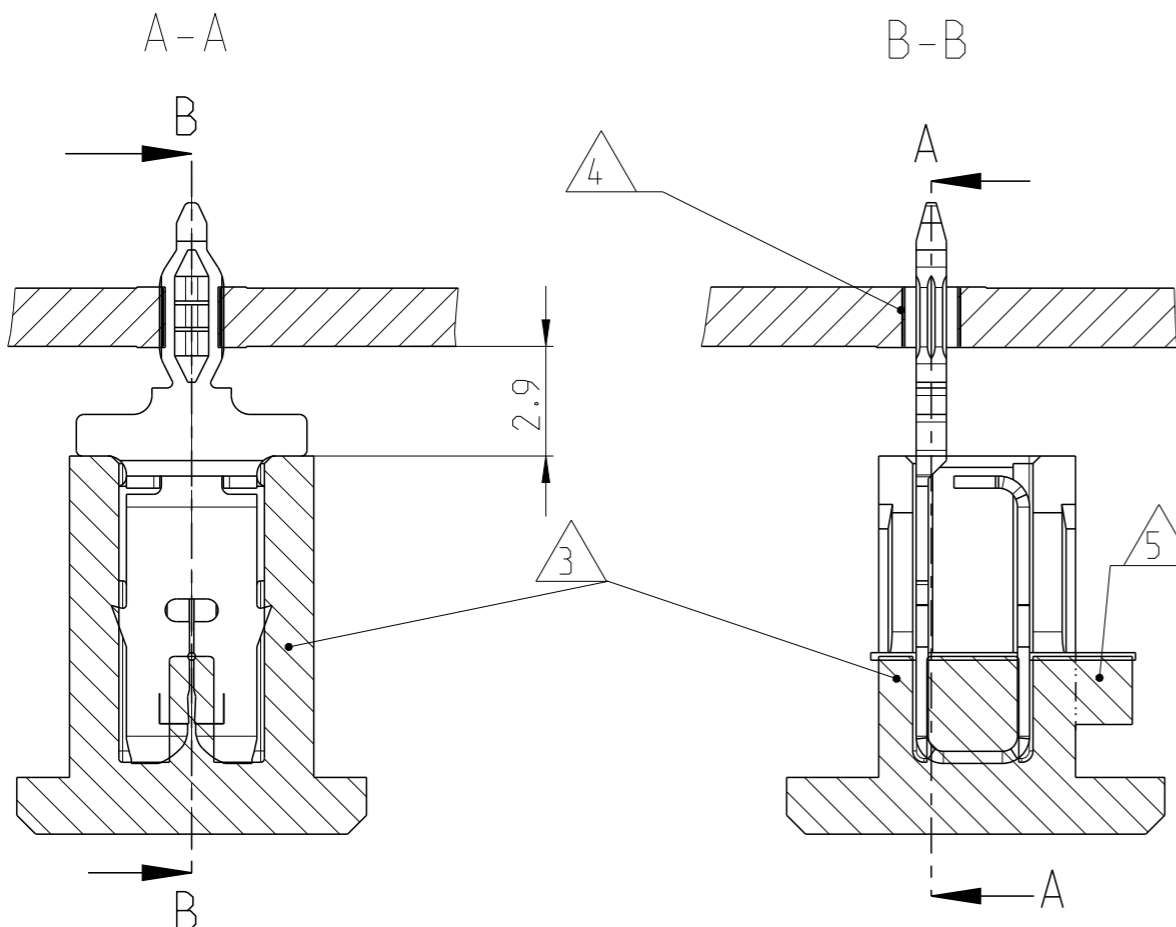


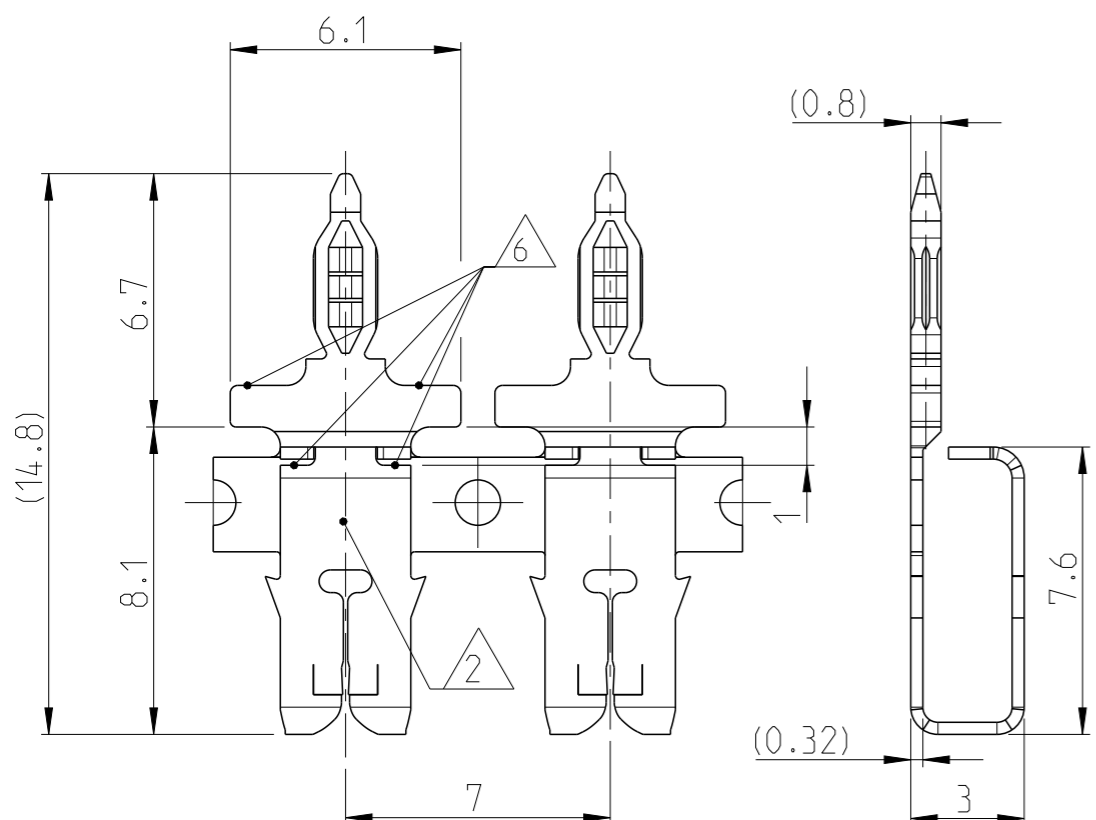
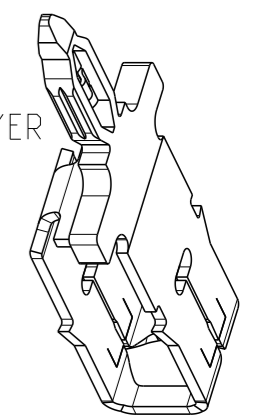
LOC	DIST
A1	-

P	LTR	DESCRIPTION	DATE	DWN	APVD
---	-----	-------------	------	-----	------

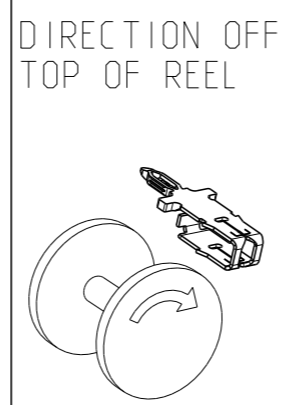
P	LTR	DESCRIPTION	DATE	DWN	APVD
A1		NEW DRAWING	04JUN2012	Ba.	BS
A2		Dash number -1 deleted from table	11OCT2012	WH	BS
A3		AWG WIRE RANGE AND INDEX 7 ADDED	13MAY2013	WH	BS
A4		AWG WIRE RANGE CHANGED; INDEX 8, 9 ADDED	08JAN2014	WH	TK



- 1 SLOT ACCEPTS SINGLE OR DOUBLE COPPER MAGNET WIRE (SEE TABLE)
- 2 IDENTIFICATION NUMBER FOR MAGNET WIRE RANGE
- 3 CONTACT CAVITY AND APPLICATION ACC. SPECIFICATION 114-74109. (SEE TABLE)
- 4 PCB LAYOUT (HOLES ACC. SPECIFICATION. 108-90801)
- 5 CUTTING LINE: AREA WILL BE CUTTED OFF BY TERMINATION
- 6 AREA FOR INSERTION TOOL
- 7 DELIVERY STATE: STRIP ON CORRUGATED REEL WITH PAPER INTERLAYER
- 8 To Be APPROVED, ON DEMAND BY TE ENGINEERING
- 9 MAX.2 SPLICES PER REEL; SPLICES BE NOT BONDED TOGETHER



IDENTIFICATION NO	DOUBLE WIRE		SINGLE WIRE		REV.	PART NO
	1 AWG BARE WIRE RANGE	1 BARE WIRE RANGE	1 AWG BARE WIRE RANGE	1 BARE WIRE RANGE		
24	-	-	19,5 - 17,5; 17	Ø 0.85mm to Ø 1.12mm	A	0-1247004-2
12	-	-	22,5 - 20; 19,5	Ø 0.63mm to Ø 0.85mm	A	0-1247003-2
10	26 - 23	26 - 22,5	Ø 0.4mm to Ø 0.56mm	Ø 0.4mm to Ø 0.63mm	A	0-1247002-2
6	29,5 - 26,5; 26	29,5 - 26,5; 26	Ø 0.265mm to Ø 0.4mm	Ø 0.265mm to Ø 0.4mm	A	0-1247001-2
4	33 - 30; 29,5	33 - 30; 29,5	Ø 0.18mm to Ø 0.265mm	Ø 0.18mm to Ø 0.265mm	A	0-1247000-2



THIS DRAWING IS A CONTROLLED DOCUMENT.		DWN H.Ballmert 04JUN2012
DIMENSIONS: mm		CHK B.Schnaubelt 04JUN2012
TOLERANCES UNLESS OTHERWISE SPECIFIED:		APVD T.Klenner 04JUN2012
0 PLC ±	} 0.2	PRODUCT SPEC 108-74116
1 PLC ±		APPLICATION SPEC 114-74109
2 PLC ±		WEIGHT 0.25g/prt
3 PLC ±		Customer Drawing
4 PLC ±		
ANGLES ±1°	FINISH -	
MATERIAL -	POSTTINNED	
COPPER ALLOY		

TE Connectivity		NAME		RESTRICTED TO
		MAG-MATE 300 SERIES WITH MULTISPRING		
SIZE	CAGE CODE	DRAWING NO		
A3	00779	114-74109		
SCALE 5:1		SHEET 1 OF 1	REV A4	