

CUSTOMER PRINT

W8882-10SG-5XX

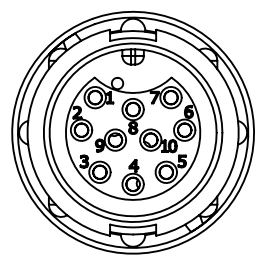
PART NUMBER:

NOTES:

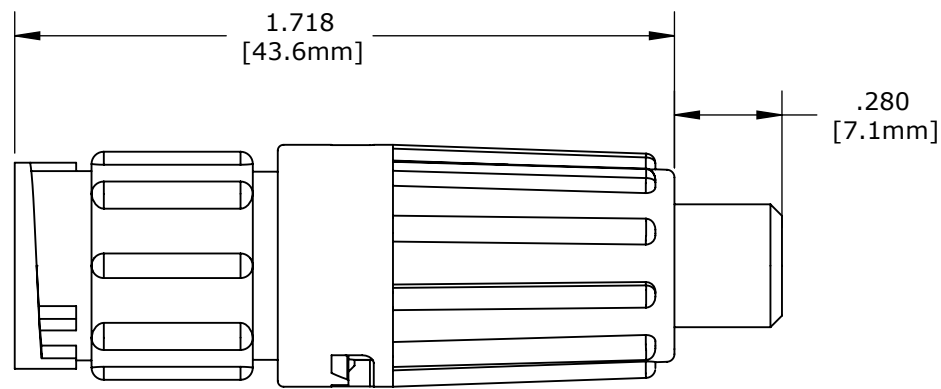
- CONTACTS ARE ASSEMBLED INTO CONNECTOR.
- PARTS ARE TO BE BAGGED AS A KIT.
- ALL DIMENSIONS ARE FOR REFERENCE ONLY.

KIT PART NO.	CABLE OD.
W8882-10SG-522	.220-.250 [5.6-6.4mm]
W8882-10SG-528	.265-.285 [6.7-7.2mm]

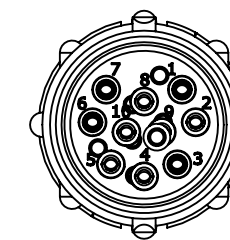
NO. OF CONTACTS — GROMMET SIZES



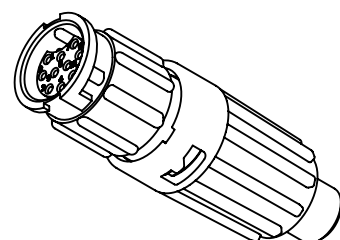
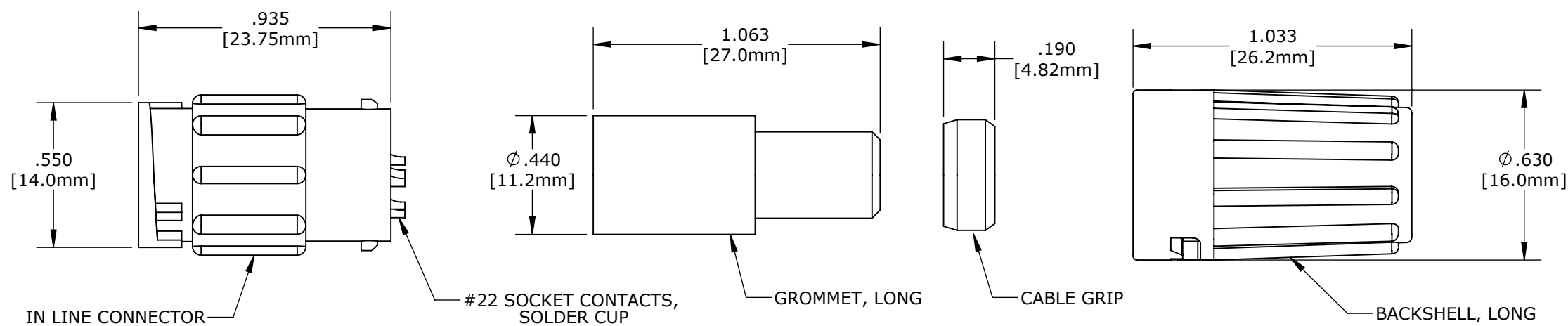
FACE VIEW



ASSEMBLED KIT VIEW
W8882-10SG-522 SHOWN



WIRE VIEW



ASSEMBLED KIT
FOR CUSTOMER REFERENCE

CUSTOMER DRAWING

CUSTOMER APPROVAL

THIS DOCUMENT CONTAINS CONFIDENTIAL INFORMATION PROPRIETARY TO CONXALL CORPORATION. ANY REPRODUCTION, DISCLOSURE, OR USE OF THIS DOCUMENT /INFORMATION IS EXPRESSLY PROHIBITED UNLESS AUTHORIZED IN WRITING BY CONXALL CORPORATION.

APPROVED BY: _____

DATE: _____

REV.	INIT.	DATE	DESCRIPTION
0A	AM	04/05/16	FIRST DRAWN
<small>ALL INFORMATION ILLUSTRATED IS THE PROPERTY OF "CONXALL CORPORATION." UNAUTHORIZED DUPLICATION OR DISTRIBUTION OF THIS DOCUMENT IS PROHIBITED.</small>			<small>ORIG. DRAWN BY: AM</small> <small>DATE: 04/05/16</small> <small>CHECKED BY:</small>
<small>ALL UNITS ARE IN FEET, INCHES, FRACTION OF INCHES AND DECIMALS.</small> <small>UNLESS OTHERWISE SPECIFIED TOLERANCES:</small> <small>3 PLACE DECIMALS ±.005</small> <small>ANGLES ±1°</small> <small>FRACTIONS ±1/16</small> <small>▷ = CRITICAL CHARACTERISTIC FLAG PER SPEC. XXXX</small>			<small>APPROVED BY:</small> <small>SCALE: NTS</small> <small>SIZE: B</small> <small>SHEET: 1 OF 1</small> <small>FILE:</small> <small>DIRECTORY: SLW</small>
<small>601 E. WILDWOOD VILLA PARK, IL 60181</small>			<small>TITLE: IN-LINE CONNECTOR, KIT (10) #22 SOCKET CONTACT, SOLDER MINI-CON-X</small> <small>CUSTOMER: STANDARD PRODUCT</small> <small>PART NUMBER: W8882-10SG-5XX</small>
			<small>REV 0A</small>