

6

5

4

3

2

1

E

E

D

D

C

C

B

B

A

A

6

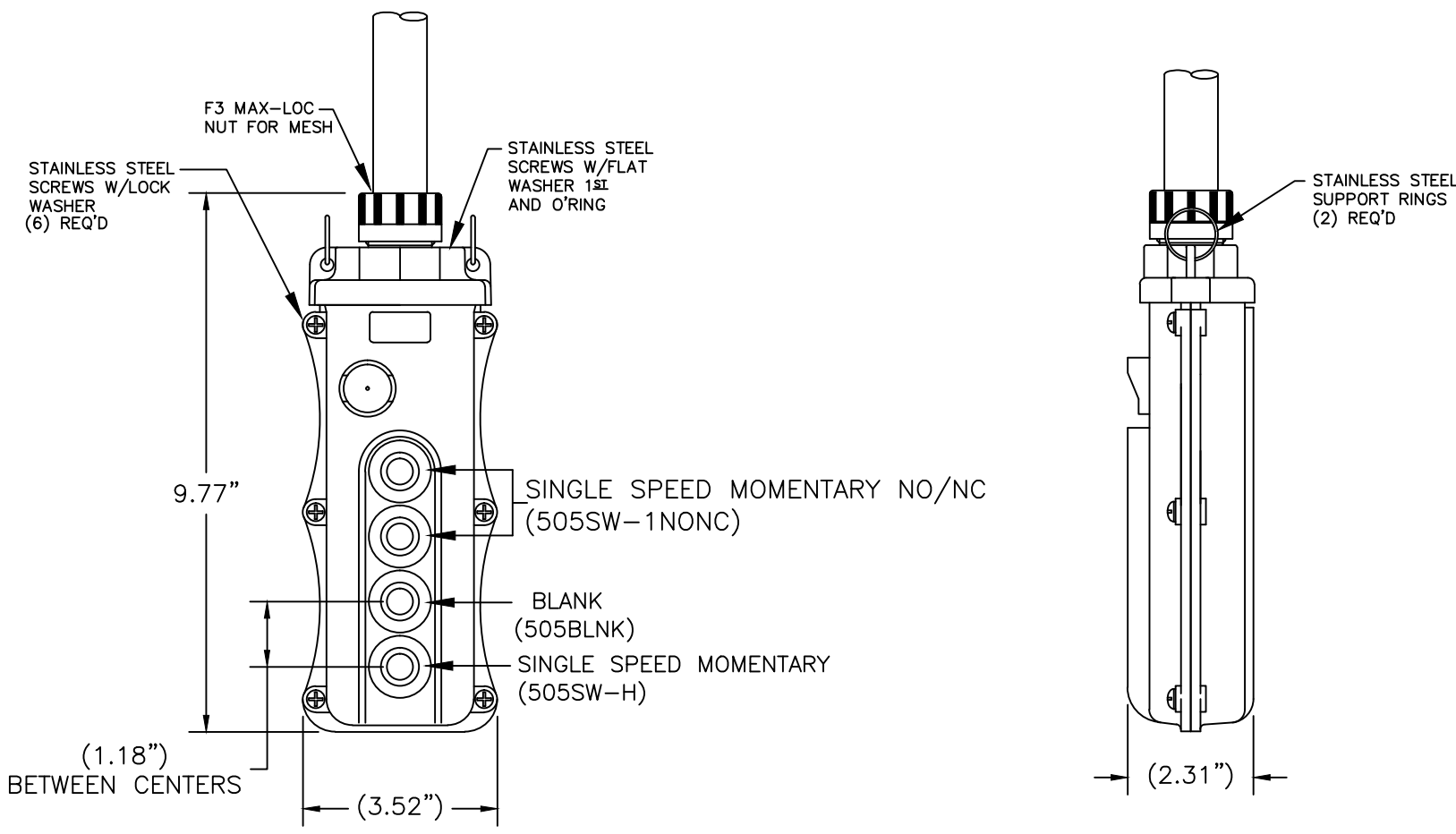
5

4

3

2

1



- NOTES:
1. INSTALLATION INSTRUCTIONS, BUTTON ID. LABELS. ARE PACK WITH THE PART.
 2. ALL BUTTONS ARE HIGH AMBIENT, CHEMICALLY RESISTANT MATERIAL - COLOR BLACK

RELEASE DRAWING EC NO: IPC2013-1204 DRWN: HRUIZ01 2013/02/05 CHKD: HKNEELAN APPR: DTITUS 2013/02/08	DESCRIPTION 2013/02/08	QUALITY SYMBOLS	GENERAL TOLERANCES (UNLESS SPECIFIED)		DIMENSION STYLE INCH		SCALE NTS	DESIGN UNITS INCH	THIRD ANGLE PROJECTION	
		$\nabla=0$ $\sphericalangle=0$	mm	INCH	DRAWN BY HRUIZ01	DATE 2013/02/05	TITLE			
			4 PLACES ±---	±---	CHECKED BY HKNEELAN	DATE 2013/02/05	4 POS PENDANT W/ 505SW-1NONC 505BLNK & 505SW-H			
			3 PLACES ±---	±.005	APPROVED BY DTITUS	DATE 2013/02/08				
	2 PLACES ±---	±.010	ANGULAR ±1/2°		MATERIAL NO. 1301260344		DOCUMENT NO. SD-130126-062		SHEET NO. 1 OF 1	
	1 PLACE ±---	±.020	DRAFT WHERE APPLICABLE MUST REMAIN WITHIN DIMENSIONS		THIS DRAWING CONTAINS INFORMATION THAT IS PROPRIETARY TO MOLEX INCORPORATED AND SHOULD NOT BE USED WITHOUT WRITTEN PERMISSION					