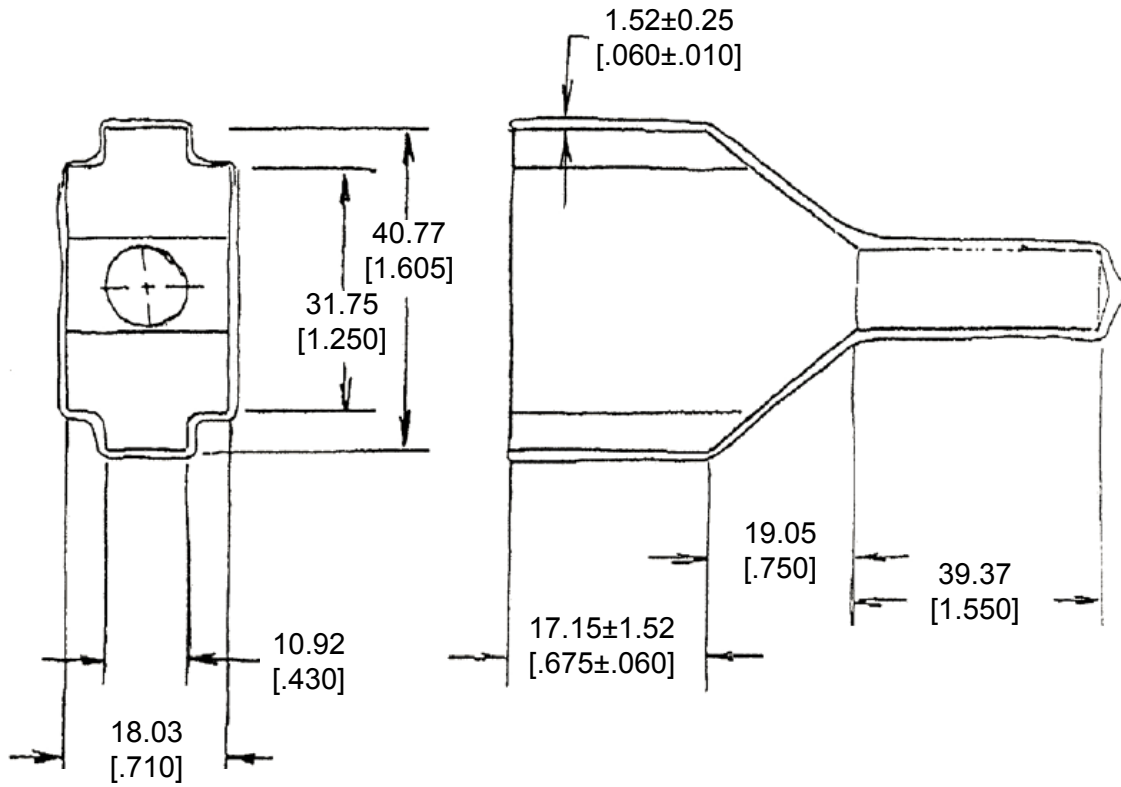


REVISIONS				
P	LTR	DESCRIPTION	DATE	APVD
	A	NEW RELEASE PER ECO-14-008764	06-27-14	DM DM



3. PART NO. DT12S-BT

2. TEMPERATURE RATING: -29°C TO +100°C [-20°F TO +212°F]

1. THIS PART IS USED ON DT06-12SX (X=A,B,C,D KEYS) PLUG WITH ANY MODIFICATION THAT DOES NOT INCLUDE AN END CAP.

2014

RELEASED FOR PUBLICATION

THIS DRAWING IS UNPUBLISHED.

ALL RIGHTS RESERVED.

© COPYRIGHT 2014 BY TE CONNECTIVITY

DIMENSIONS: MM [INCH]	DWN	D. MEYER 27JN2014	MATERIAL	PVC	FINISH	GRAY
	CHK	R. MESSENGER 27JUN2014				
TOLERANCES UNLESS OTHERWISE SPECIFIED:	APVD	D. MEYER 27JUN2014				
0 PLC ±	PRODUCT SPEC	NAME				BOOT, 12PIN DT SERIES
1 PLC ±	APPLICATION SPEC	SIZE	CAGE CODE	DRAWING NO	RESTRICTED TO	
2 PLC ± 0.63 [0.025]		A 4	4AFU8	C - DT12S-BT	-	
3 PLC ±	WEIGHT	10.00 g	Customer Drawing			
4 PLC ±	SCALE		NONE	SHEET	1 OF 1	REV
ANGLES ± 5°						A

