



# Heyco® -Tite Combiner Box Liquid Tight Cordgrips

Multi-Hole, Snap-In Hubs - IP 64 Rated

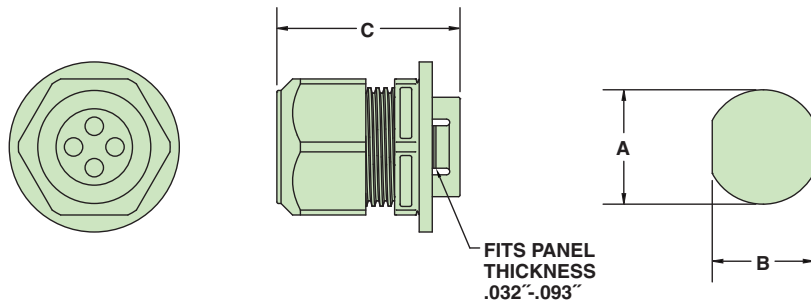
*The Ultimate in Liquid Tight Strain Relief Protection*

For use in Clearance Holes in Panels from  
.032" (0,8 mm) to .093" (2,4 mm) Thick

- House multiple wires at one entry point providing a liquid tight seal around each wire and at the panel.
- IP 64 Rated.
- Easy installation—Unique fingers securely lock into a range of panel sizes without use of locknut. No tools required.
- Secure “click in place” fit reduces tightening errors by installers.
- Limited intrusion into enclosure where access is tight.
- Ideal when individual conductors for power or control are used rather than jacketed cable.
- Smooth, rounded interior edges for ease of installation.
- Ratchet design of sealing nut assembly provides superior anti-vibration and ensures a firm grip on the cable.
- Rotation prevented when used in “Double D” mounting holes.
- For use in clearance holes.
- Made of nylon construction with TPE sealing glands that resist salt water, weak acids, gasoline, alcohol, oil, grease, and common solvents. (This feature is not assessed by UL.)
- **Foam sealing washer INCLUDED with Cordgrip.**
- For complete range of Heyco Cordgrips, see Section 3.

GLAND CONFIGURATION			PART NO.	DESCRIPTION	PART DIMENSIONS					
Size mm.	Type *	AWG/ No.			Black	A Mounting Hole Dia.		B To Prevent Rotation		C Max. Overall Length
					in.	mm.	in.	mm.	in.	mm.
4,2	USE-2	12/2	M4818GAB	SCG 875	.875	22,2	.77	19,6	1.46	37,1
4,6	USE-2	12/3	M4830GBD M4836GBD	SCG 1093 SCG 1125	1.093 1.125	27,8 28,6	.97 1.00	24,6 25,4	1.75	44,5
		12/4	M4830GBE M4836GBE	SCG 1093 SCG 1125	1.093 1.125	27,8 28,6	.97 1.00	24,6 25,4		
5,2	USE-2	10/2	M4818GAE	SCG 875	.875	22,2	.77	19,6	1.46	37,1
		10/3	M4830GAF M4836GAF	SCG 1093 SCG 1125	1.093 1.125	27,8 28,6	.97 1.00	24,6 25,4	1.75	44,5
			M4830GAG M4836GAG	SCG 1093 SCG 1125	1.093 1.125	27,8 28,6	.97 1.00	24,6 25,4		
7,0	PV 1000	12/3	M4830GAM M4836GAM	SCG 1093 SCG 1125	1.093 1.125	27,8 28,6	.97 1.00	24,6 25,4	1.75	44,5
7,4	PV 1000	12/2	M4830GAN M4836GAN	SCG 1093 SCG 1125	1.093 1.125	27,8 28,6	.97 1.00	24,6 25,4	1.75	44,5
8,0	PV 1000	10/2	M4830GAQ M4836GAQ	SCG 1093 SCG 1125	1.093 1.125	27,8 28,6	.97 1.00	24,6 25,4	1.75	44,5

\*AWG 10 and 12 for both USE-2 and PV 1000.  
Foam Washer INCLUDED.



Quick  
Specs

Material	Nylon 6/6 with TPE sealing gland
Flammability Rating	94V-2
Temperature Rating	-22°F (-30°C) to 212°F (100°C)
IP Rating	IP 64