



# Heyco® -Tite Combiner Box Liquid Tight Cordgrips

Multi-Hole, Snap-In Hubs - IP 64 Rated

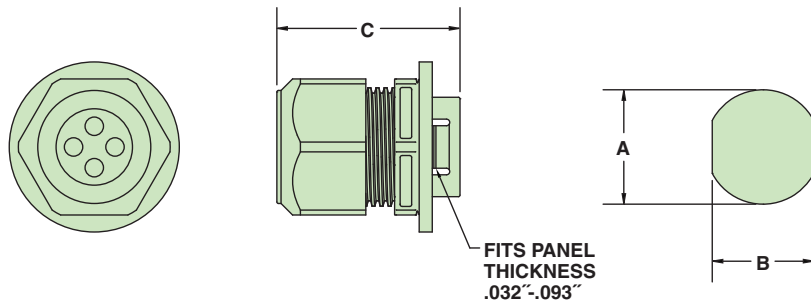
*The Ultimate in Liquid Tight Strain Relief Protection*

For use in Clearance Holes in Panels from  
.032" (0,8 mm) to .093" (2,4 mm) Thick

- House multiple wires at one entry point providing a liquid tight seal around each wire and at the panel.
- IP 64 Rated.
- Easy installation—Unique fingers securely lock into a range of panel sizes without use of locknut. No tools required.
- Secure “click in place” fit reduces tightening errors by installers.
- Limited intrusion into enclosure where access is tight.
- Ideal when individual conductors for power or control are used rather than jacketed cable.
- Smooth, rounded interior edges for ease of installation.
- Ratchet design of sealing nut assembly provides superior anti-vibration and ensures a firm grip on the cable.
- Rotation prevented when used in “Double D” mounting holes.
- For use in clearance holes.
- Made of nylon construction with TPE sealing glands that resist salt water, weak acids, gasoline, alcohol, oil, grease, and common solvents. (This feature is not assessed by UL.)
- **Foam sealing washer INCLUDED with Cordgrip.**
- For complete range of Heyco Cordgrips, see Section 3.

GLAND CONFIGURATION Conductors			PART NO.	DESCRIPTION	PART DIMENSIONS					
Size mm.	Type *	AWG/ No.			Black	A Mounting Hole Dia.		B To Prevent Rotation		C Max. Overall Length
					in.	mm.	in.	mm.	in.	mm.
4,2	USE-2	12/2	<b>M4818GAB</b>	SCG 875	.875	22,2	.77	19,6	1.46	37,1
4,6	USE-2	12/3	<b>M4830GBD</b> <b>M4836GBD</b>	SCG 1093 SCG 1125	1.093 1.125	27,8 28,6	.97 1.00	24,6 25,4	1.75	44,5
		12/4	<b>M4830GBE</b> <b>M4836GBE</b>	SCG 1093 SCG 1125	1.093 1.125	27,8 28,6	.97 1.00	24,6 25,4		
5,2	USE-2	10/2	<b>M4818GAE</b>	SCG 875	.875	22,2	.77	19,6	1.46	37,1
		10/3	<b>M4830GAF</b> <b>M4836GAF</b>	SCG 1093 SCG 1125	1.093 1.125	27,8 28,6	.97 1.00	24,6 25,4	1.75	44,5
			<b>M4830GAG</b> <b>M4836GAG</b>	SCG 1093 SCG 1125	1.093 1.125	27,8 28,6	.97 1.00	24,6 25,4		
7,0	PV 1000	12/3	<b>M4830GAM</b> <b>M4836GAM</b>	SCG 1093 SCG 1125	1.093 1.125	27,8 28,6	.97 1.00	24,6 25,4	1.75	44,5
7,4	PV 1000	12/2	<b>M4830GAN</b> <b>M4836GAN</b>	SCG 1093 SCG 1125	1.093 1.125	27,8 28,6	.97 1.00	24,6 25,4	1.75	44,5
8,0	PV 1000	10/2	<b>M4830GAQ</b> <b>M4836GAQ</b>	SCG 1093 SCG 1125	1.093 1.125	27,8 28,6	.97 1.00	24,6 25,4	1.75	44,5

\*AWG 10 and 12 for both USE-2 and PV 1000.  
Foam Washer INCLUDED.



Quick  
Specs

Material	Nylon 6/6 with TPE sealing gland
Flammability Rating	94V-2
Temperature Rating	-22°F (-30°C) to 212°F (100°C)
IP Rating	IP 64