



Heyco® -Tite Combiner Box Liquid Tight Cordgrips

Multi-Hole, Snap-In Hubs - IP 64 Rated

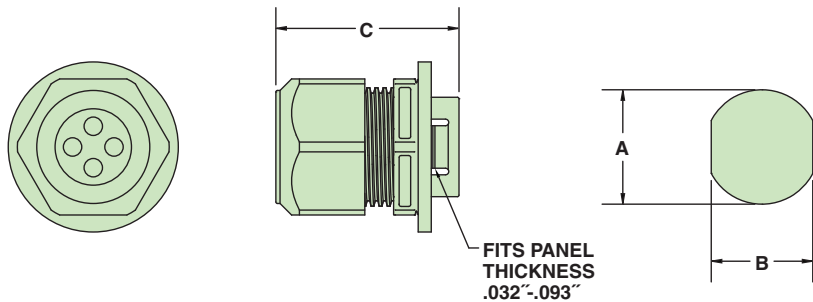
The Ultimate in Liquid Tight Strain Relief Protection

For use in Clearance Holes in Panels from
.032" (0,8 mm) to .093" (2,4 mm) Thick

- House multiple wires at one entry point providing a liquid tight seal around each wire and at the panel.
- IP 64 Rated.
- Easy installation—Unique fingers securely lock into a range of panel sizes without use of locknut. No tools required.
- Secure “click in place” fit reduces tightening errors by installers.
- Limited intrusion into enclosure where access is tight.
- Ideal when individual conductors for power or control are used rather than jacketed cable.
- Smooth, rounded interior edges for ease of installation.
- Ratchet design of sealing nut assembly provides superior anti-vibration and ensures a firm grip on the cable.
- Rotation prevented when used in “Double D” mounting holes.
- For use in clearance holes.
- Made of nylon construction with TPE sealing glands that resist salt water, weak acids, gasoline, alcohol, oil, grease, and common solvents. (This feature is not assessed by UL.)
- **Foam sealing washer INCLUDED with Cordgrip.**
- For complete range of Heyco Cordgrips, see Section 3.

| GLAND CONFIGURATION Conductors | | | PART NO. | DESCRIPTION | PART DIMENSIONS | | | | | |
|--------------------------------|---------|----------|----------------------|----------------------|-----------------|----------------------|-------------|-----------------------|------|-----------------------|
| Size mm. | Type * | AWG/ No. | | | Black | A Mounting Hole Dia. | | B To Prevent Rotation | | C Max. Overall Length |
| | | | | | in. | mm. | in. | mm. | in. | mm. |
| 4,2 | USE-2 | 12/2 | M4818GAB | SCG 875 | .875 | 22,2 | .77 | 19,6 | 1.46 | 37,1 |
| 4,6 | USE-2 | 12/3 | M4830GBD M4836GBD | SCG 1093 SCG 1125 | 1.093 1.125 | 27,8 28,6 | .97 1.00 | 24,6 25,4 | 1.75 | 44,5 |
| | | 12/4 | M4830GBE M4836GBE | SCG 1093 SCG 1125 | 1.093 1.125 | 27,8 28,6 | .97 1.00 | 24,6 25,4 | | |
| 5,2 | USE-2 | 10/2 | M4818GAE | SCG 875 | .875 | 22,2 | .77 | 19,6 | 1.46 | 37,1 |
| | | 10/3 | M4830GAF M4836GAF | SCG 1093 SCG 1125 | 1.093 1.125 | 27,8 28,6 | .97 1.00 | 24,6 25,4 | 1.75 | 44,5 |
| | | | M4830GAG M4836GAG | SCG 1093 SCG 1125 | 1.093 1.125 | 27,8 28,6 | .97 1.00 | 24,6 25,4 | | |
| 7,0 | PV 1000 | 12/3 | M4830GAM M4836GAM | SCG 1093 SCG 1125 | 1.093 1.125 | 27,8 28,6 | .97 1.00 | 24,6 25,4 | 1.75 | 44,5 |
| 7,4 | PV 1000 | 12/2 | M4830GAN M4836GAN | SCG 1093 SCG 1125 | 1.093 1.125 | 27,8 28,6 | .97 1.00 | 24,6 25,4 | 1.75 | 44,5 |
| 8,0 | PV 1000 | 10/2 | M4830GAQ M4836GAQ | SCG 1093 SCG 1125 | 1.093 1.125 | 27,8 28,6 | .97 1.00 | 24,6 25,4 | 1.75 | 44,5 |

*AWG 10 and 12 for both USE-2 and PV 1000.
Foam Washer INCLUDED.



Quick
Specs

| | |
|---------------------|----------------------------------|
| Material | Nylon 6/6 with TPE sealing gland |
| Flammability Rating | 94V-2 |
| Temperature Rating | -22°F (-30°C) to 212°F (100°C) |
| IP Rating | IP 64 |