



Heyco® -Tite Combiner Box Liquid Tight Cordgrips

Multi-Hole, Snap-In Hubs - IP 64 Rated

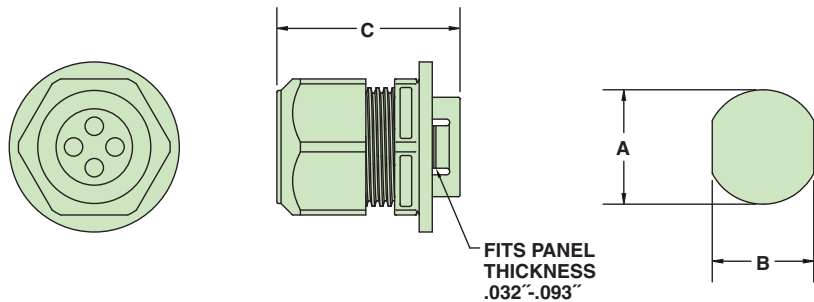
The Ultimate in Liquid Tight Strain Relief Protection

For use in Clearance Holes in Panels from
.032" (0,8 mm) to .093" (2,4 mm) Thick

- House multiple wires at one entry point providing a liquid tight seal around each wire and at the panel.
- IP 64 Rated.
- Easy installation—Unique fingers securely lock into a range of panel sizes without use of locknut. No tools required.
- Secure “click in place” fit reduces tightening errors by installers.
- Limited intrusion into enclosure where access is tight.
- Ideal when individual conductors for power or control are used rather than jacketed cable.
- Smooth, rounded interior edges for ease of installation.
- Ratchet design of sealing nut assembly provides superior anti-vibration and ensures a firm grip on the cable.
- Rotation prevented when used in “Double D” mounting holes.
- For use in clearance holes.
- Made of nylon construction with TPE sealing glands that resist salt water, weak acids, gasoline, alcohol, oil, grease, and common solvents. (This feature is not assessed by UL.)
- **Foam sealing washer INCLUDED with Cordgrip.**
- For complete range of Heyco Cordgrips, see Section 3.

GLAND CONFIGURATION			PART NO.	DESCRIPTION	PART DIMENSIONS					
Size mm.	Type *	AWG/ No.			Black	A Mounting Hole Dia.		B To Prevent Rotation		C Max. Overall Length
					in.	mm.	in.	mm.	in.	mm.
4,2	USE-2	12/2	M4818GAB	SCG 875	.875	22,2	.77	19,6	1.46	37,1
4,6	USE-2	12/3	M4830GBD	SCG 1093	1.093	27,8	.97	24,6	1.75	44,5
			M4836GBD	SCG 1125	1.125	28,6	1.00	25,4		
5,2	USE-2	12/4	M4830GBE	SCG 1093	1.093	27,8	.97	24,6	1.75	44,5
			M4836GBE	SCG 1125	1.125	28,6	1.00	25,4		
		10/2	M4818GAE	SCG 875	.875	22,2	.77	19,6		
7,0	PV 1000	12/3	M4830GAF	SCG 1093	1.093	27,8	.97	24,6	1.75	44,5
			M4836GAF	SCG 1125	1.125	28,6	1.00	25,4		
7,4	PV 1000	12/2	M4830GAG	SCG 1093	1.093	27,8	.97	24,6	1.75	44,5
			M4836GAG	SCG 1125	1.125	28,6	1.00	25,4		
8,0	PV 1000	10/2	M4830GAM	SCG 1093	1.093	27,8	.97	24,6	1.75	44,5
			M4836GAM	SCG 1125	1.125	28,6	1.00	25,4		
7,4	PV 1000	12/2	M4830GAN	SCG 1093	1.093	27,8	.97	24,6	1.75	44,5
			M4836GAN	SCG 1125	1.125	28,6	1.00	25,4		
8,0	PV 1000	10/2	M4830GAQ	SCG 1093	1.093	27,8	.97	24,6	1.75	44,5
			M4836GAQ	SCG 1125	1.125	28,6	1.00	25,4		

*AWG 10 and 12 for both USE-2 and PV 1000.
Foam Washer INCLUDED.



Quick
Specs

Material	Nylon 6/6 with TPE sealing gland
Flammability Rating	94V-2
Temperature Rating	-22°F (-30°C) to 212°F (100°C)
IP Rating	IP 64