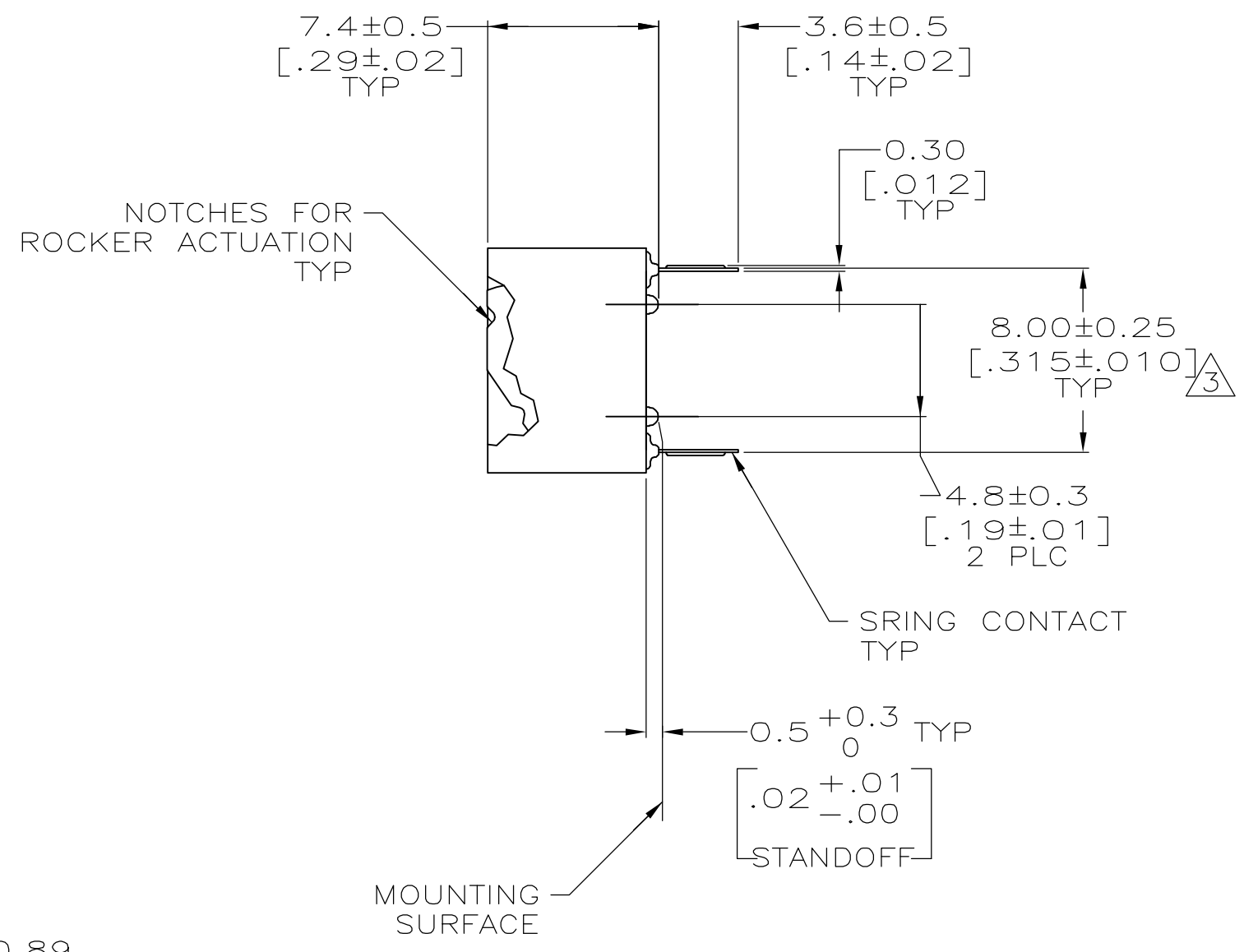
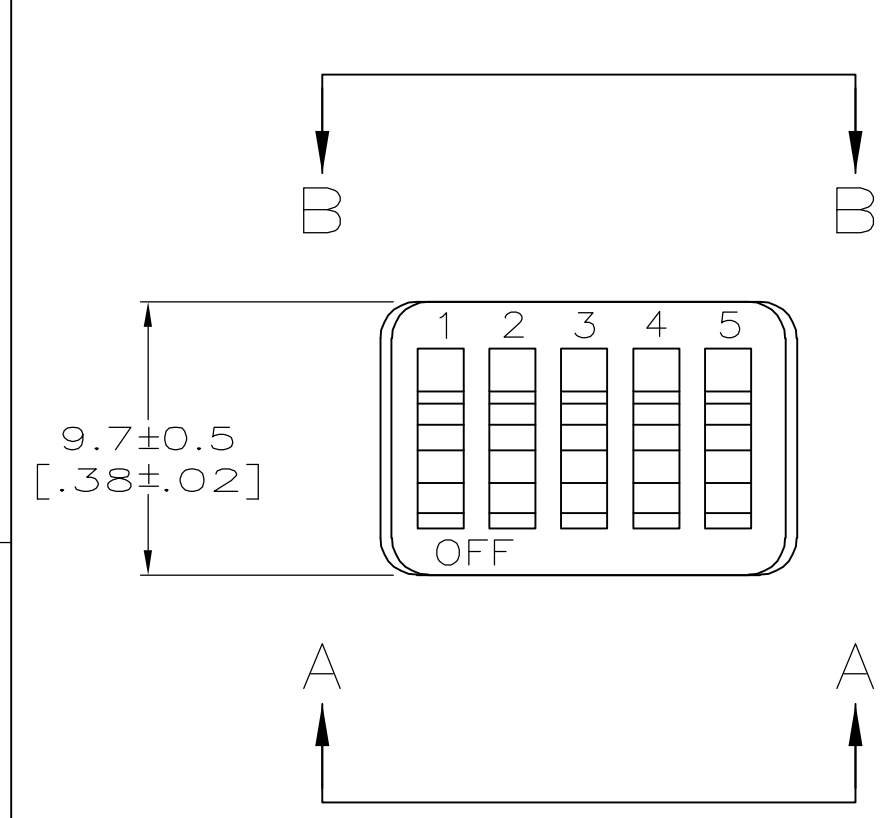
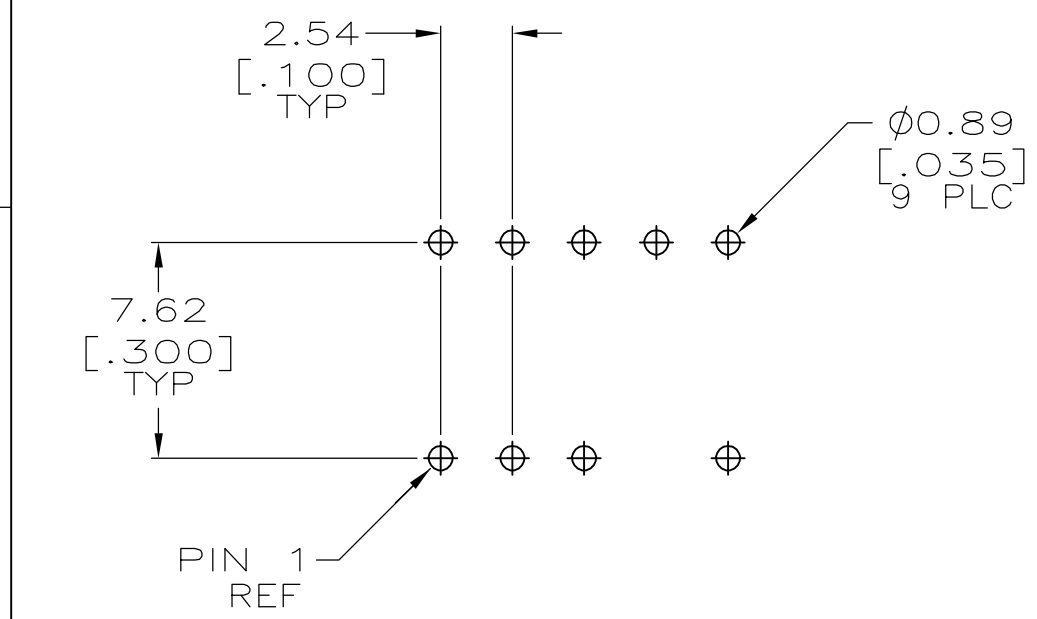


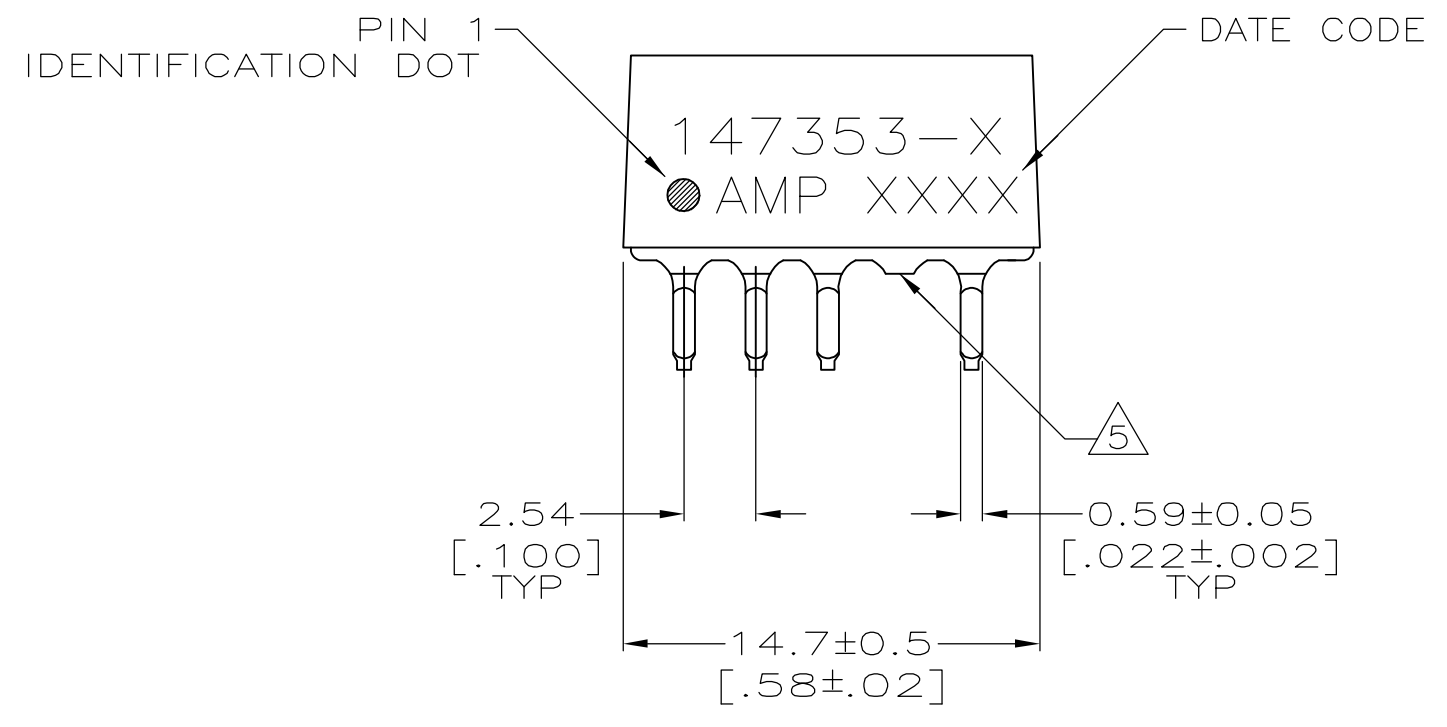
LOC	DIST	REVISIONS					
AD	0	P	LTR	DESCRIPTION	DATE	DWN	APVD
		A		ECO-05-003714	02AUG05	MB	MS



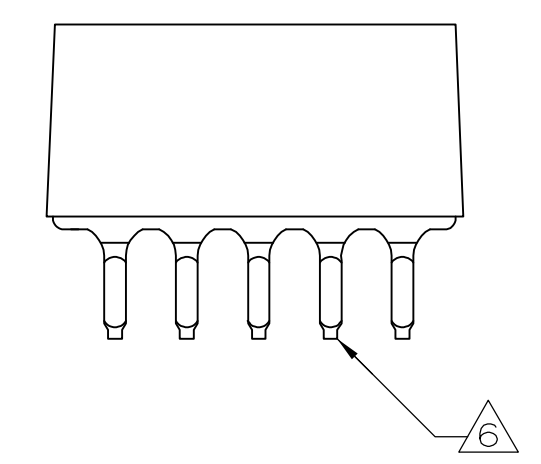
- ① HOUSING AND ROCKERS: POLYESTER. CONTACTS: COPPER ALLOY.
- ② SPRING CONTACTS: 0.76µm [.000030] MIN GOLD IN CONTACT AREA OVER 1.27µm [.000050] MIN NICKEL.
- ③ 8.00±0.25 [.315±.010] DIMENSION APPLIES AT SPRING CONTACT TIPS. SPRING CONTACTS ARE 7.62^{+0.25}₀ [.300^{+0.10}_{-.000}] AT MOUNTING SURFACE.
- 4. ALL CHARACTERS AND ROCKERS ARE WHITE, HOUSING IS BLUE.
- ⑤ CONTACT CLIPPED TO BOTTOM OF CORE IN POSITION 4 ONLY. (FRONT)
- ⑥ CONTACT DEPICTED IS ON BACK ROW ONLY. (REAR)
- ⑦ ALL MATERIALS AND FINISHES SHALL COMPLY WITH EU DIRECTIVE 2002/95/EC OF 27JAN2003 (ROHS)



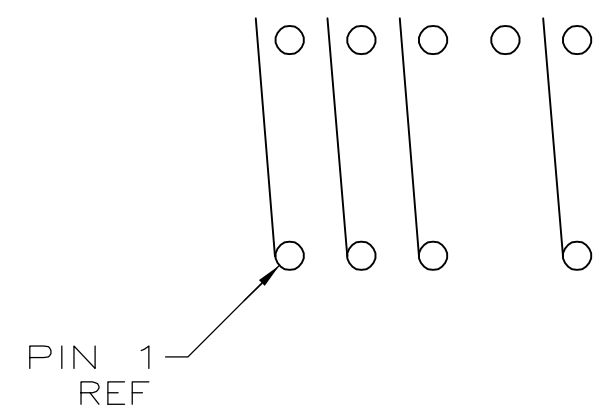
RECOMMENDED PCB LAYOUT



VIEW A-A (WITH FRONT ROW SHOWN ONLY) (FRONT)



VIEW B-B (WITH BACK ROW SHOWN ONLY) ROTATED 180° CW (REAR)



CONTACT ARRANGEMENT

⑦	TIN	5	147353-2
	TIN/LEAD	5	147353-1
	SOLDER LEAD PLATING	NO. OF POSN	SWITCH ASSY P/N

THIS DRAWING IS A CONTROLLED DOCUMENT.		DWN D.HARDY 17 NOV 99	Tyco Electronics Corporation Harrisburg, Pa 17105-3608
DIMENSIONS: mm [INCHES]		CHK H.WYNKOOP 28 JAN 00	
TOLERANCES UNLESS OTHERWISE SPECIFIED:		APVD H.WYNKOOP 28 JAN 00	NAME
0 PLC ± - 1 PLC ± - 2 PLC ± 0.13 [.005] 3 PLC ± - 4 PLC ± - ANGLES ± -		PRODUCT SPEC	SWITCH ASSEMBLY, TYPE C, W/ CLIPPED CONTACT, 7100 SERIES, SPST, LOW PROFILE, DIP SWITCH
MATERIAL		WEIGHT	SIZE
		-	A2
FINISH		CUSTOMER DRAWING	CAGE CODE
			00779
		SCALE	DRAWING NO
		4:1	147353
		SHEET	RESTRICTED TO
		1 OF 1	-
		REV	A