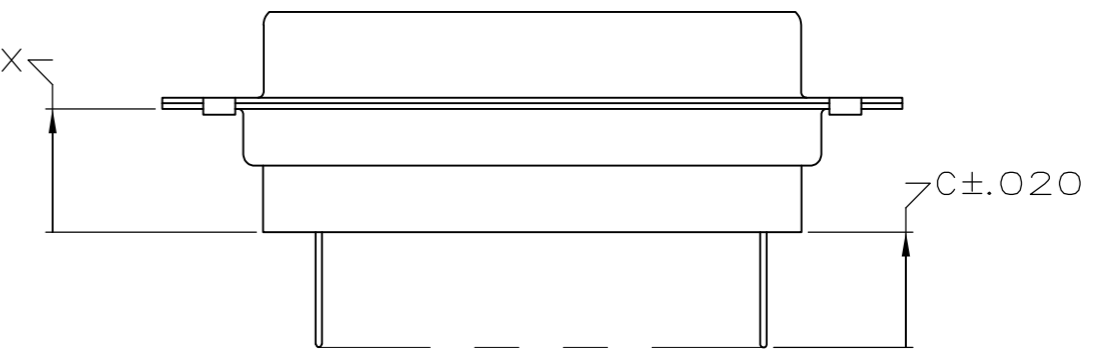
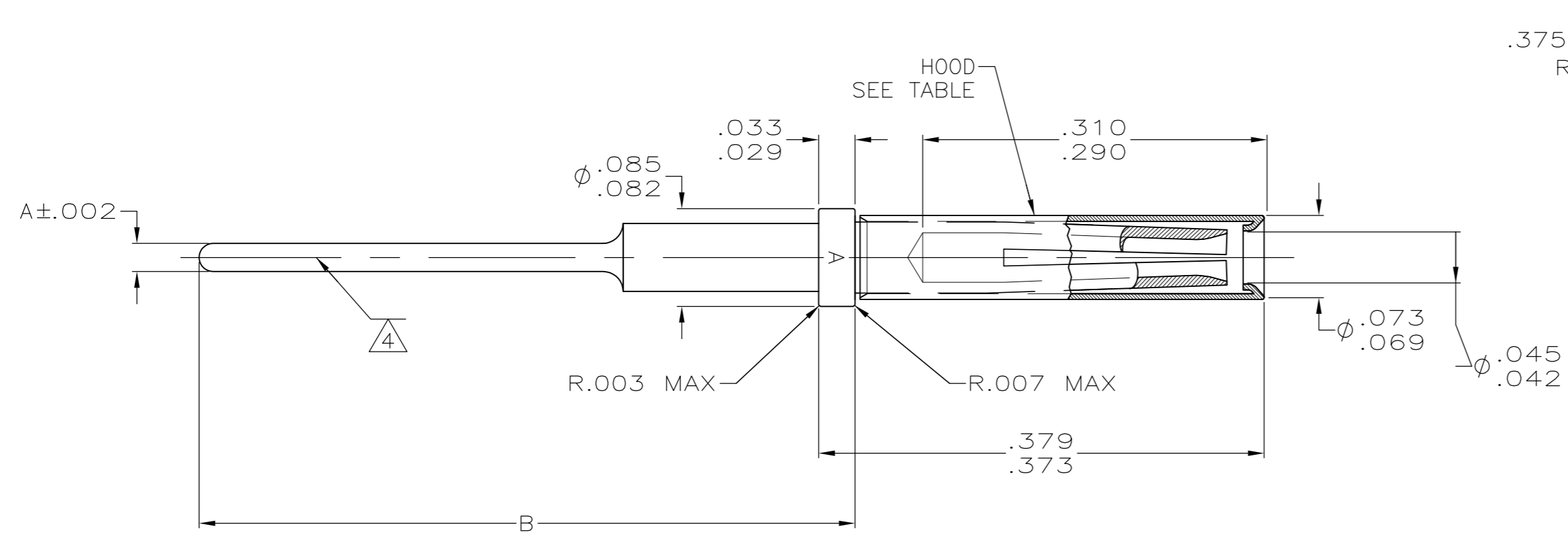


THIS DRAWING IS UNPUBLISHED. RELEASED FOR PUBLICATION  
 © COPYRIGHT - By - ALL RIGHTS RESERVED.

| LOC |     | DIST                  |  | REVISIONS |         |    | DATE | DWN | APVD |
|-----|-----|-----------------------|--|-----------|---------|----|------|-----|------|
| P   | LTR | DESCRIPTION           |  |           |         |    |      |     |      |
|     | T   | REV PER ECO 15-001152 |  |           | 1-23-15 | CT | CD   |     |      |



POST EXTENTION WHEN USED  
 IN A STANDARD CONNECTOR

- 1. PLATED GOLD .000050 MIN THK, OVER COPPER .000150 MIN THK
- 2. FOR USE IN P.C. BOARD.
- 3. CONTACT CAN BE USED IN ANY STANDARD HD-20 RECEPTACLE CONNECTOR.
- 4. POINT OF PLATING MEASUREMENT .100 FROM TIP OF SOLDER TAIL.
- 5. PLATED GOLD .000050-.000100 THK PER ASTM-B488, TYPE I, CODE C OVER NICKEL PER QQ-N-290, .000050 TO .000150 INCH THK.
- 6. CONTACT BODY MAT'L: COPPER ALLOY PER ASTM-B196 OR ASTM-B197
- 7. CONTACTS MEET ALL APPLICABLE PERFORMANCE REQUIREMENTS OF SAE-AS39029.
- 8. HOOD: STAINLESS STEEL, UNS S30500 IAW ASTM A240/A240M FINISH: PASSIVATED PER AMS 2700 METHOD 1, TYPE OPTIONAL, CLASS 4.
- 9. HOOD: BRASS PER QQ-B-613 OR BERYLLIUM COPPER PER ASTM-B-196. PLATED GOLD PER MIL-B488 OVER COPPER PER AMS 2418.

|                                         | 1 | 9 | .320 | .560     | .018 | 1-208778-5 |
|-----------------------------------------|---|---|------|----------|------|------------|
| PRELIMINARY NOT RELEASED FOR PRODUCTION | - | - | -    | -        | -    | 1-208778-4 |
| PRELIMINARY NOT RELEASED FOR PRODUCTION | - | - | -    | -        | -    | 1-208778-3 |
|                                         | 1 | 8 | .240 | .480     | .018 | 1-208778-2 |
|                                         | 5 | 8 | .320 | .560     | .018 | 1-208778-1 |
|                                         | 1 | 8 | .320 | .560     | .018 | 1-208778-0 |
| OBSOLETE                                | 1 | 8 | .190 | .446     | .040 | 208778-9   |
| OBSOLETE                                | 1 | 8 | .190 | .446     | .030 | 208778-8   |
| OBSOLETE                                | 1 | 8 | .190 | .446     | .024 | 208778-7   |
| OBSOLETE                                | 1 | 8 | .155 | .415     | .040 | 208778-6   |
| OBSOLETE                                | 1 | 8 | .155 | .415     | .030 | 208778-5   |
| OBSOLETE                                | 1 | 8 | .155 | .415     | .024 | 208778-4   |
| OBSOLETE                                | 1 | 8 | .125 | .383     | .040 | 208778-3   |
| OBSOLETE                                | 1 | 8 | .125 | .383     | .030 | 208778-2   |
| OBSOLETE                                | 1 | 8 | .125 | .383     | .024 | 208778-1   |
| REMARKS                                 | C | B | A    | PART NO. |      |            |

|                                                                                |  |                                 |                                                       |                        |
|--------------------------------------------------------------------------------|--|---------------------------------|-------------------------------------------------------|------------------------|
| THIS DRAWING IS A CONTROLLED DOCUMENT.                                         |  | DWN<br>T. THOMPSON<br>08-18-93  | TE Connectivity                                       |                        |
| DIMENSIONS:<br>mm [INCHES]                                                     |  | CHK<br>D. MANTIONE<br>08-23-93  |                                                       |                        |
| TOLERANCES UNLESS OTHERWISE SPECIFIED:                                         |  | APVD<br>D. MANTIONE<br>08-23-93 | NAME<br>SOCKET CONTACT<br>POSTED, SIZE 20<br>ASSEMBLY |                        |
| 0 PLC ± -<br>1 PLC ± -<br>2 PLC ± -<br>3 PLC ± .005<br>4 PLC ± -<br>ANGLES ± - |  | PRODUCT SPEC<br>-               | SIZE<br>A2                                            |                        |
| MATERIAL<br>SEE CALLOUT                                                        |  | APPLICATION SPEC<br>-           | CAGE CODE<br>00779                                    | DRAWING NO<br>G-208778 |
| FINISH<br>SEE CALLOUT                                                          |  | WEIGHT<br>-                     | RESTRICTED TO<br>-                                    |                        |
| CUSTOMER DRAWING                                                               |  |                                 | SCALE<br>10:1                                         | SHEET<br>1 OF 1        |