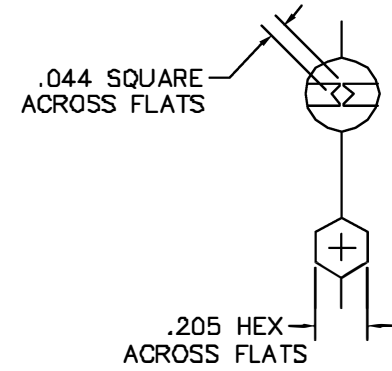
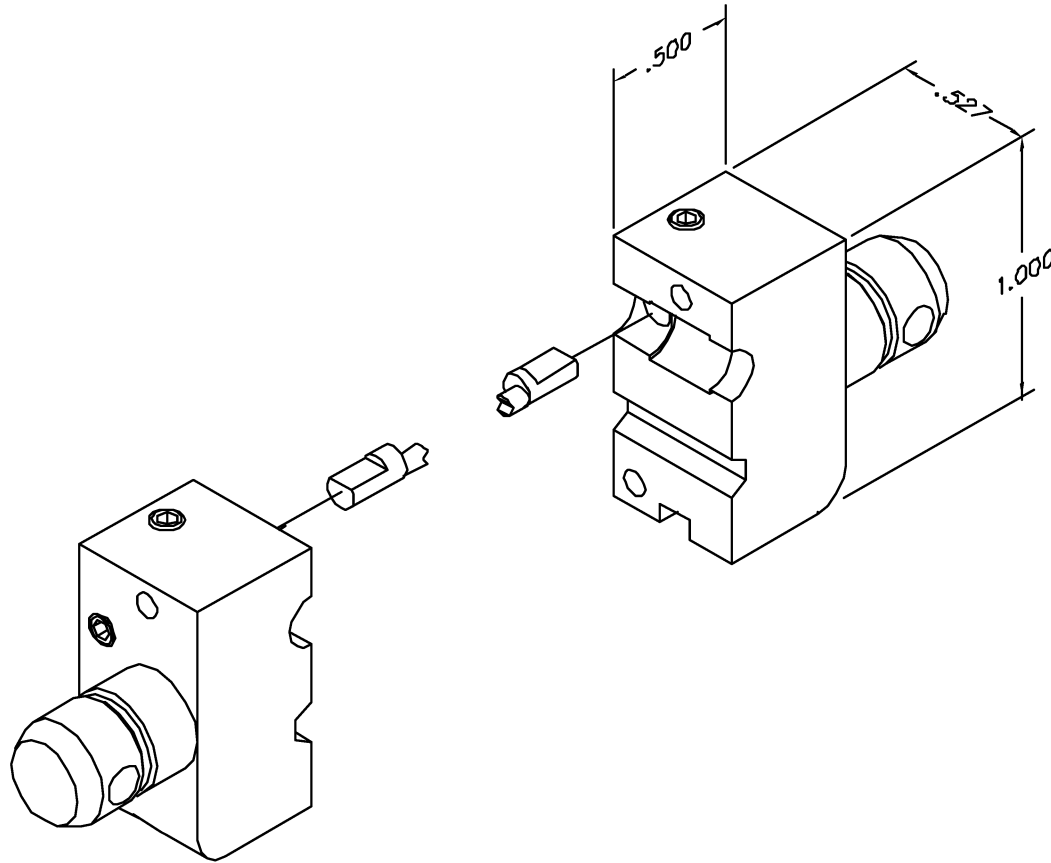



REVISIONS				
REV. STN.	E.C.O. NUMBER	DESCRIPTION	BY DATE	APP'D DATE
1		ORIGINAL RELEASE	E.D. 1-18-88	DE 1-88



**UNCONTROLLED DOCUMENT
WILL NOT BE UPDATED**

1. REF. POSITRONICS CONNECTORS FCC4104D AND MCC4103D.
NOTES:

RESTRICTED & CONFIDENTIAL CONFIDENTIAL PROPERTY OF DANIELS MANUFACTURING CORP. NOT TO BE DISCLOSED TO OTHERS, REPRODUCED OR USED FOR ANY OTHER PURPOSE EXCEPT AS AUTHORIZED IN WRITING BY DANIELS MANUFACTURING. MUST BE RETURNED TO DANIELS MANUFACTURING CORP. ON COMPLETION OF ORDER OR OTHER PURPOSE FOR WHICH LENT.	MATERIAL	ITEM	PART NO.	QTY.	DESCRIPTION/REMARKS
	HEAT TREAT	DRN	E. DIAZ	DATE 1-18-88	 DANIELS MANUFACTURING CORP. ORLANDO, FLORIDA GAGE 11851
FINISH	APP'D.	DATE	APP'D.	DATE	
DO NOT SCALE DRAWING					DIE SET ENVELOPE DRAWING
					WHERE USED:
					SIZE B BSCALE NTS CAD P/N Y877-ENV SHEET 1 OF 1 POSTING P/N Y877-ENV REV. 1