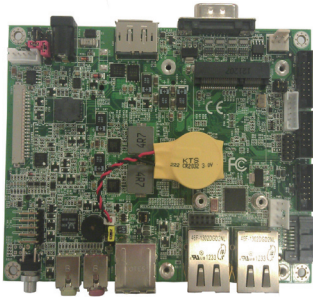


PBN-9007



COM Express Type 10 Carrier Board



Features

- COM Express Type 10 Carrier Board
- LVDS, and Display Port
- Soldered Onboard Touch Screen Controller
- Wide Range Operating Temp.: -40 ~ 85°C

I/O

Serial Port	2 x COM Ports (1 x COM with DB-9, 1 x RS-232/422/485 selectable)
USB Port	6 x USB 2.0 ports
Digital I/O	8-bit programmable Digital Input/Output
AUDIO/ Interface	HD CODEC Realtek ALC662, MIC/ Line-out phone jack
Touch Panel	1 x Touch
Expansion Bus	1 x Mini-Card socket 1 x SIM socket
Ethernet Chipset	1 x Intel® 82583V PCIe Gigabit Ethernet controller 1 x GbE by CPU module

Display

Graphics Chipset	GPU: Depending on CPU module
Graphics Interface	1 x LVDS connector 1 x Display Port

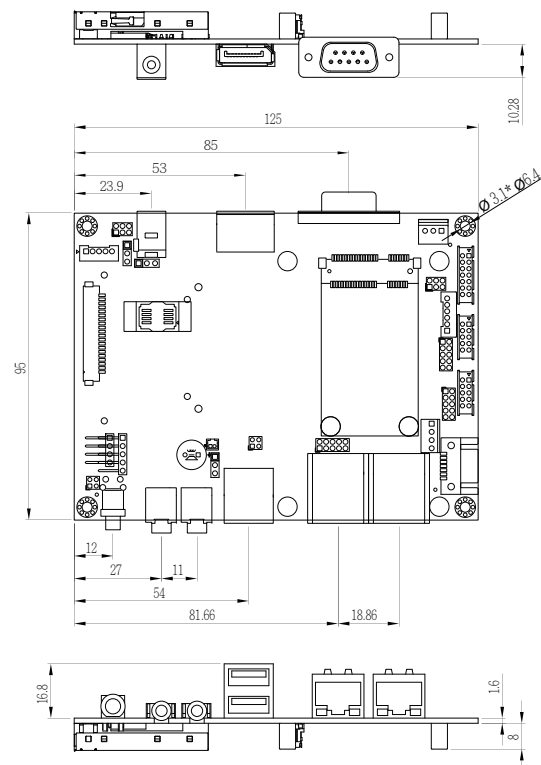
Touch Screen Interface

Mode	5-pin header wire
-------------	-------------------

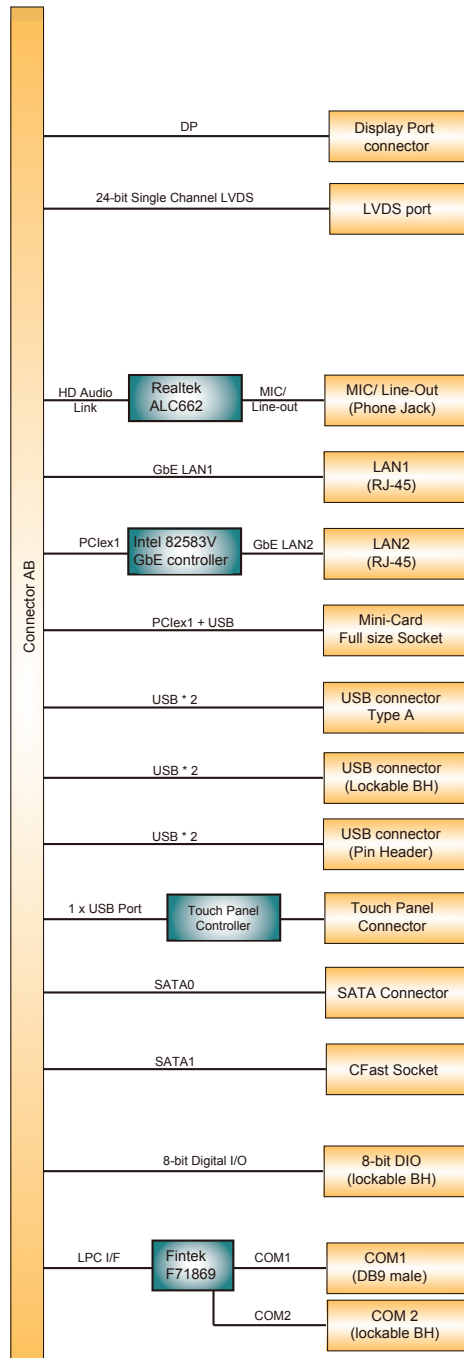
Mechanical & Environmental

Power Requirement	+12V DC
Power Consumption	1.67A@+12V w/ EmNANO-i250D (Typical)
Operating Temp.	-40 ~ 85°C (-40 ~ 185°F)
Operating Humidity	0 ~ 90% (non-condensing)
Dimension (L x W)	125 x 95 mm (4.9" x 3.7")

Dimensions



Block Diagram



Ordering Information

PBN-9007	COM Express Type 10 Carrier Board
CBK-05-9007-00	Cable kit 1 x SATA cable 1 x SATA Power cable 1 x COM port cable 1 x USB cable 1 x PS/2 cable