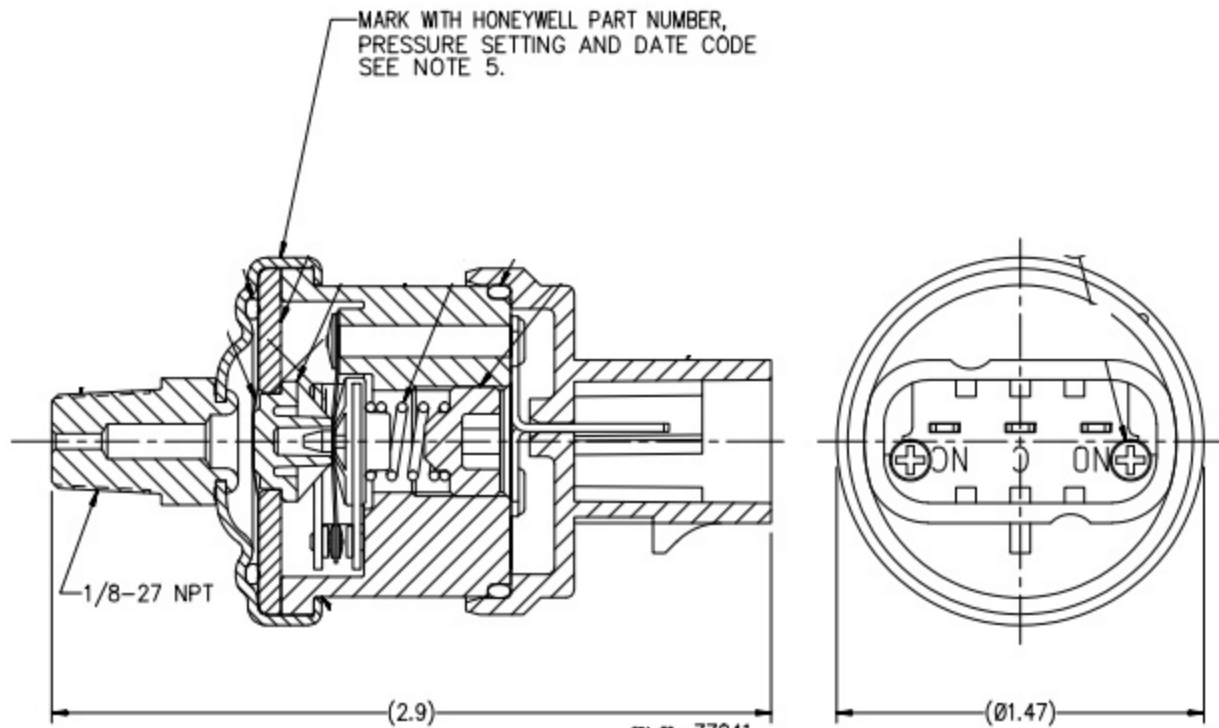


HONEYWELL  
PART NUMBER  
83278

REV	DOCUMENT	CHANGED BY	CHECK
B	0069593	VKK 27SEP10	CMH



- NOTES:
1. DUAL CIRCUIT PRESSURE SWITCH.
  2. ADJUSTMENT RANGE 18-24 PSI.
  3. SEE SPEC. 99005 FOR MANUFACTURING SPECIFICATION.

1/8-27 NPT

(2.9)

SML TO: 77041

(Ø1.47)

5. THE DATE CODE SHALL CONSIST OF FOUR DIGITS W/THE 1ST TWO DIGITS BEING THE YEAR AND THE 2ND TWO DIGITS BEING THE WEEK OF THE YEAR.

DESIGN UNITS: INCH TOLERANCES UNLESS NOTED:	DRAWN	KMJ	14OCT99	<b>Honeywell</b>				
	CHECK	-	-					
NO PLACES X ± -	THIS DRAWING COVERS A PROPRIETARY ITEM AND IS THE PROPERTY OF HONEYWELL. THIS DRAWING IS NOT TO BE COPIED OR USED WITHOUT THE PERMISSION OF HONEYWELL.			TITLE PRESSURE SWITCH D.C. METRI-PACK 5000 SERIES SWITCH				
ONE PLACE .X ± .020	INTERPRET PER ASME Y14.5M-1994 OTHER HONEYWELL ENGINEERING STANDARDS MAY APPLY			SIZE	TYPE	CAGE CODE	DRAWING NAME	REV
TWO PLACE .XX ± .020				B	E	-	83278	B
THREE PLACE .XXX ± .005				SCALE		SHEET		1 OF 1
ANGLES X ± 0° 30'				2D				
THIRD ANGLE PROJECTION 								