

LOC	DIST	REVISIONS					
AD	00	P	LTR	DESCRIPTION	DATE	DWN	APVD
		A		ECO-05-10251	28SEP05	RB	MS

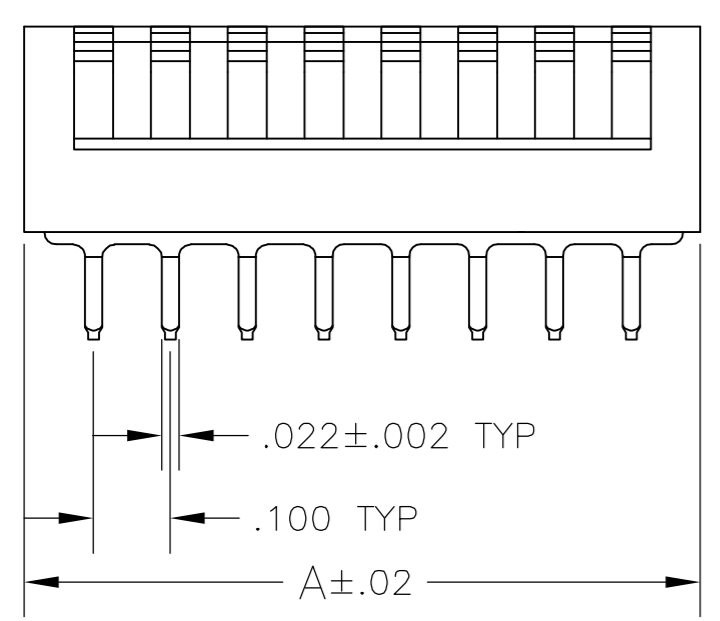
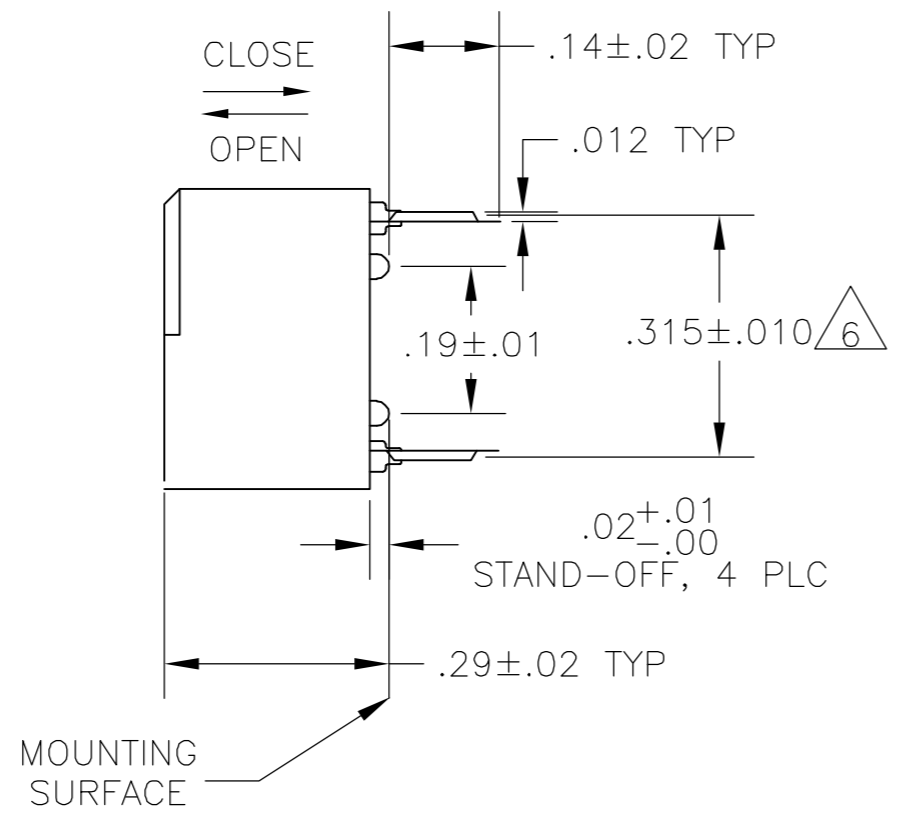
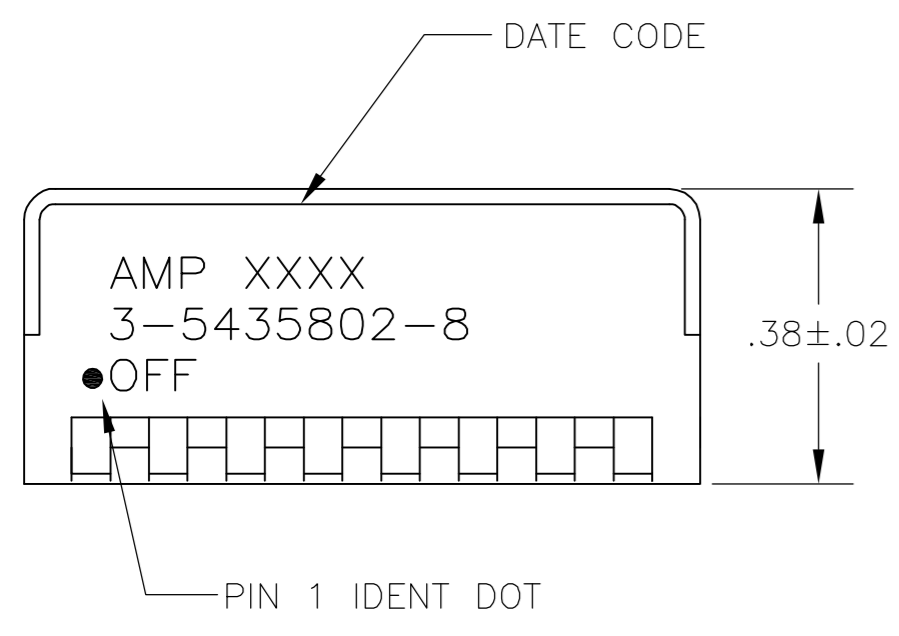
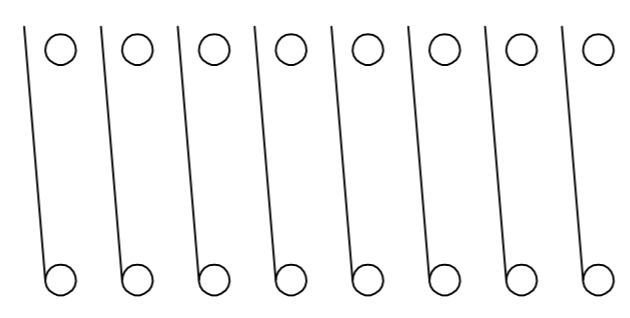


FIG 1



CONTENT ARRANGEMENT

- FOR ADDITIONAL SPECIFICATIONS SEE AMP PRODUCT SPEC 108-7519.
- SWITCH SHOWN IN OPEN POSITION.
- ALL CHARACTERS AND ROCKERS ARE WHITE, HOUSING IS BLACK.
- STAMPING WILL VARY ON 2 AND 3 POSITION TOPS DUE TO SPACE RESTRICTIONS.
- STRIPPABLE TRANSPARENT SEAL, SEE FIG 6.
- .315 DIMENSION APPLIES AT TERMINAL TIPS. TERMINALS ARE .300<sup>+.010</sup> AT MOUNTING SURFACE.
- NO POSITION MARKING.
- NO PART NO. MARKING.
- STRIPPABLE TAPE SEAL, SEE FIGURE 8.
- ALL MATERIALS AND FINISHES SHALL COMPLY WITH EU DIRECTIVE 2002/95/EC OF 27JAN2003 (ROHS)
- MATERIAL: HOUSING AND ROCKERS - POLYESTER  
CONTACT & SOLDER LEAD - COPPER ALLOY
- FINISH: CONTACT - GOLD OVER NICKEL  
SOLDER LEAD - TIN OVER NICKEL

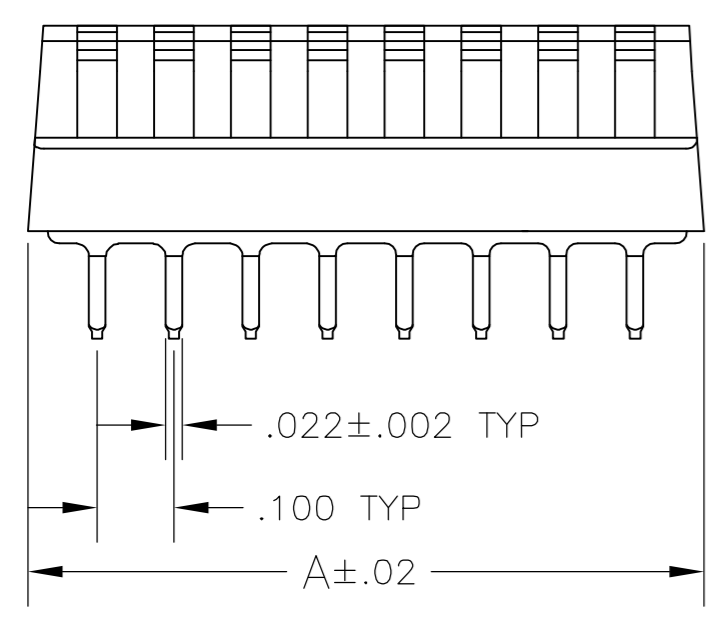
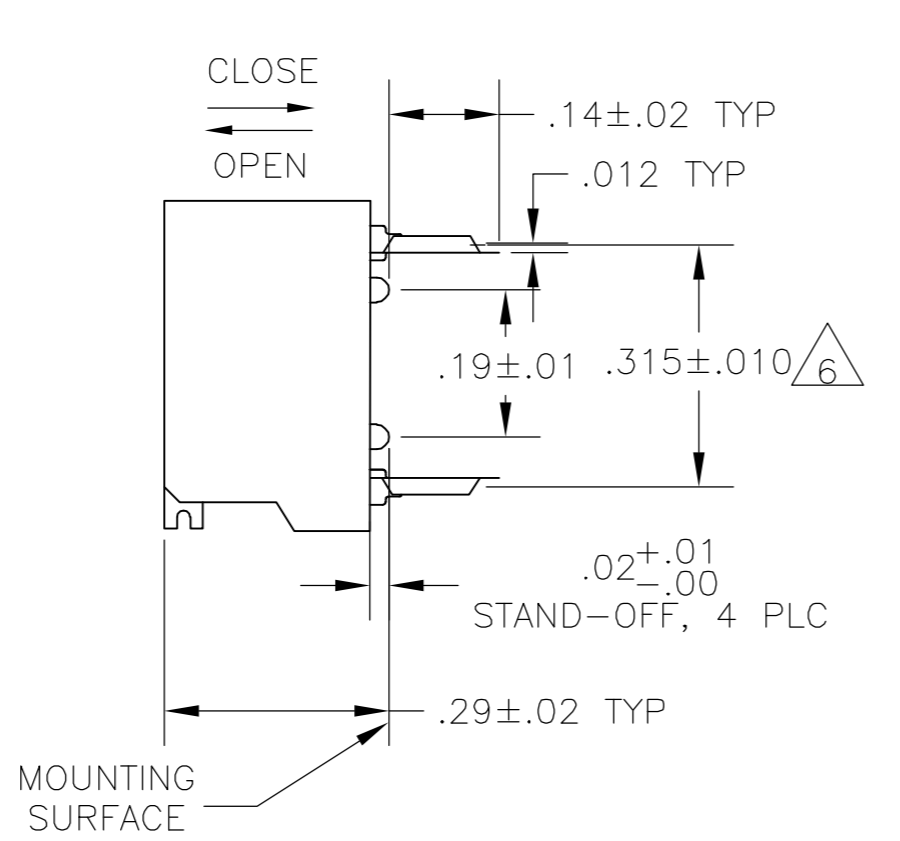
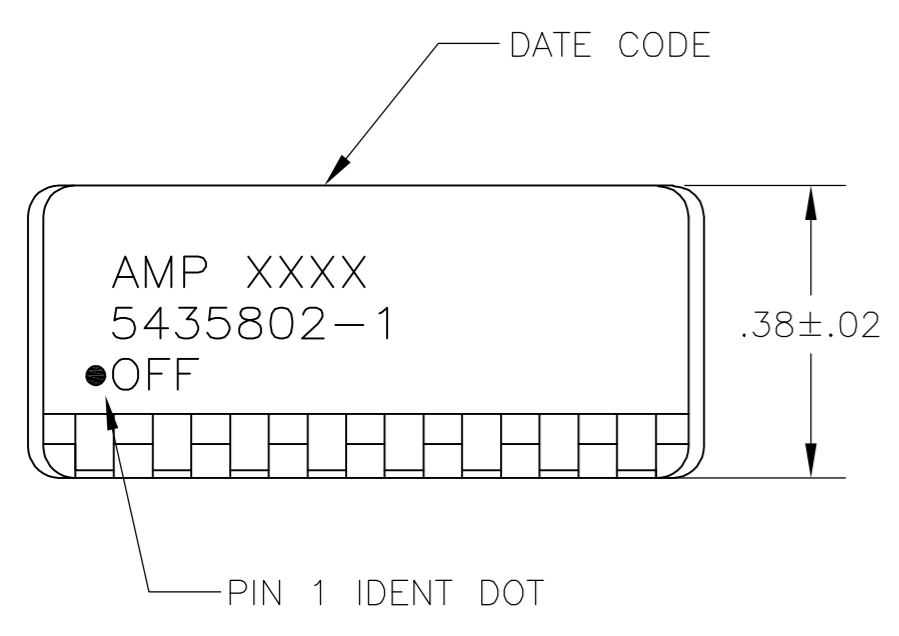


FIG 2

5435802-1 SHOWN

FIG 2	FIG 3A& 7		1.08	10	6-5435802-3		
FIG 1	FIG 3B	9	.88	8	3-5435802-8		
FIG 2	7 8	5	.88	8	3-5435802-0		
FIG 2	7 8	5	.48	4	2-5435802-9		
FIG 2	FIG 3A	5	1.28	12	2-5435802-2		
FIG 2			1.18	11	2-5435802-1		
FIG 2			1.08	10	2-5435802-0		
FIG 2			.98	9	1-5435802-9		
FIG 2			.78	7	1-5435802-8		
FIG 2			.68	6	1-5435802-7		
FIG 2			.58	5	1-5435802-6		
FIG 2			.48	4	1-5435802-5		
FIG 2			1.28	12	1-5435802-2		
FIG 1			FIG 3B		.28	2	1-5435802-0
FIG 2	FIG 3A	5	.88	8	5435802-9		
FIG 2			1.08	10	5435802-8		
FIG 2			.98	9	5435802-7		
FIG 2			.78	7	5435802-6		
FIG 2			.68	6	5435802-5		
FIG 2			.58	5	5435802-4		
FIG 2			.48	4	5435802-3		
FIG 2			FIG 3A		.38	3	5435802-2
FIG 2			FIG 3A		.88	8	5435802-1
HOUSING			MARKING	PROT-ECTIVE SEAL	A	NO OF POSN	PART NO

THIS DRAWING IS A CONTROLLED DOCUMENT.		DWN R. TALLEY 19-9-89	Tyco Electronics Corporation Harrisburg, Pa 17105-3608
DIMENSIONS: INCHES		CHK R. MILLER 19-9-89	
TOLERANCES UNLESS OTHERWISE SPECIFIED:		APVD H. LEITER 19-9-89	NAME SWITCH ASSY, DIP, TYPE C, 7000 SERIES, SPST, SIDE ACTUATED
0 PLC ± - 1 PLC ± - 2 PLC ± - 3 PLC ± .005 4 PLC ± - ANGLES ± - FINISH		PRODUCT SPEC -	
MATERIAL		APPLICATION SPEC -	RESTRICTED TO -
		WEIGHT -	SIZE A2
		CUSTOMER DRAWING	CAGE CODE 00779
		SCALE 4:1	DRAWING NO C=5435802
		SHEET 1 OF 2	REV A

THIS DRAWING IS UNPUBLISHED. RELEASED FOR PUBLICATION  
 © COPYRIGHT BY TYCO ELECTRONICS CORPORATION. ALL RIGHTS RESERVED.

LOC	DIST	REVISIONS			
P	LTR	DESCRIPTION	DATE	DWN	APVD
AD	00	SEE SHEET 1	-	-	-

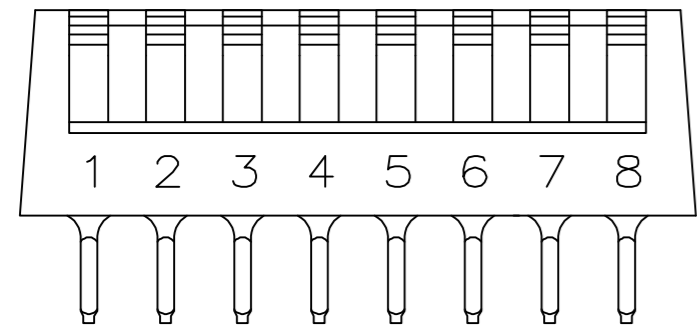


FIG 3A

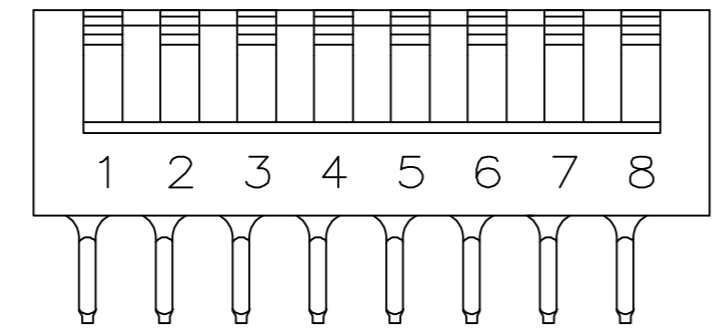


FIG 3B

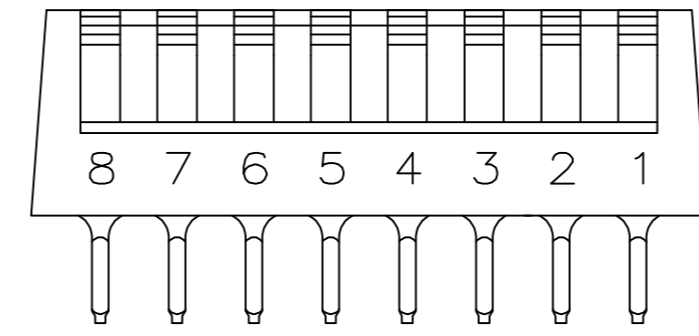
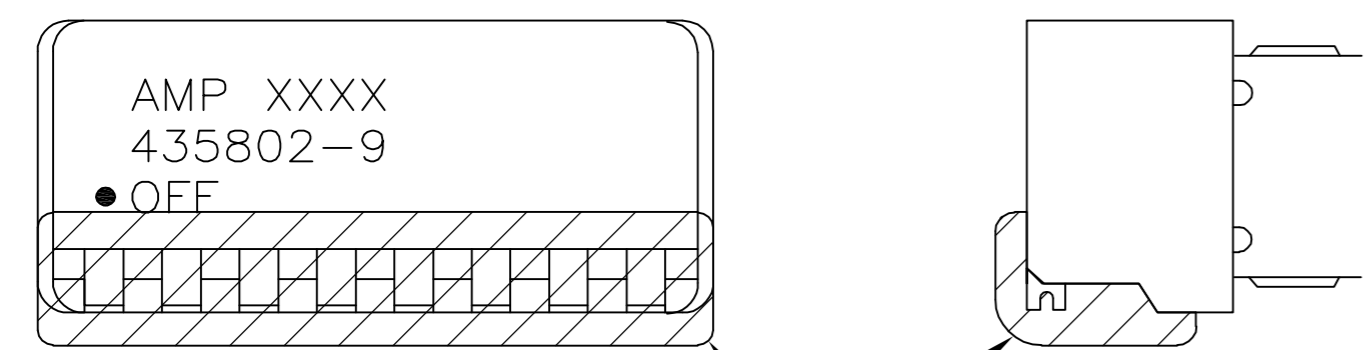


FIG 4



PROTECTIVE SEAL  
FIG 6

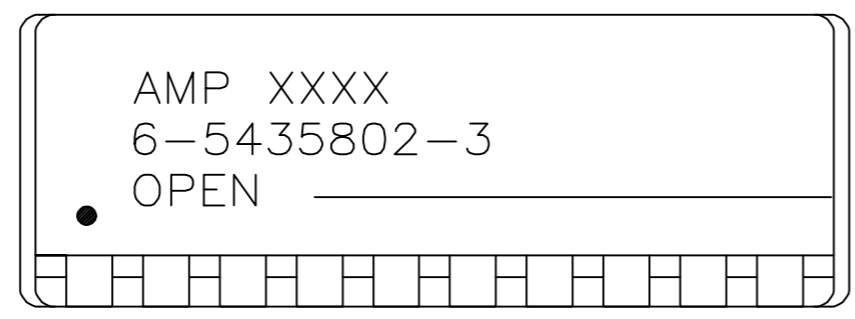
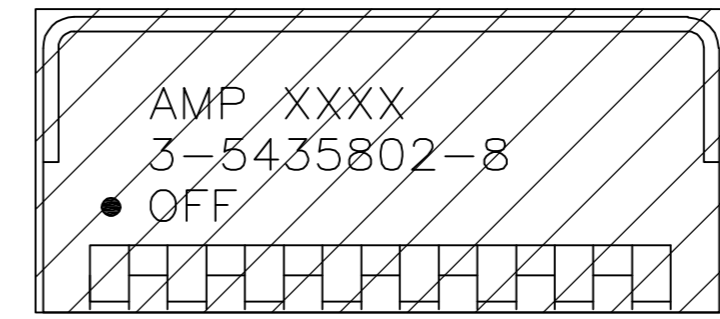


FIG 7



PROTECTIVE SEAL

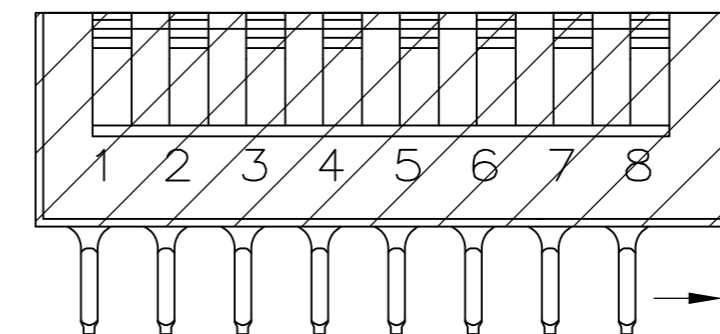


FIG 8

THIS DRAWING IS A CONTROLLED DOCUMENT.		DWN R. TALLEY 19-9-89	Tyco Electronics Corporation Harrisburg, Pa 17105-3608			
DIMENSIONS: INCHES		CHK R. MILLER 19-9-89				
TOLERANCES UNLESS OTHERWISE SPECIFIED:		APVD H. LEITER 19-9-89	NAME SWITCH ASSY, DIP, TYPE "C", 7000 SERIES, SPST, SIDE ACTUATED			
0 PLC ± - 1 PLC ± - 2 PLC ± - 3 PLC ± .005 4 PLC ± - ANGLES ± - FINISH SEE SHEET 1		PRODUCT SPEC APPLICATION SPEC	SIZE A2	CAGE CODE 00779	DRAWING NO C=5435802	RESTRICTED TO -
MATERIAL SEE SHEET 1		WEIGHT -	SCALE 4:1		SHEET 2 OF 2	REV A
		CUSTOMER DRAWING				

5435802