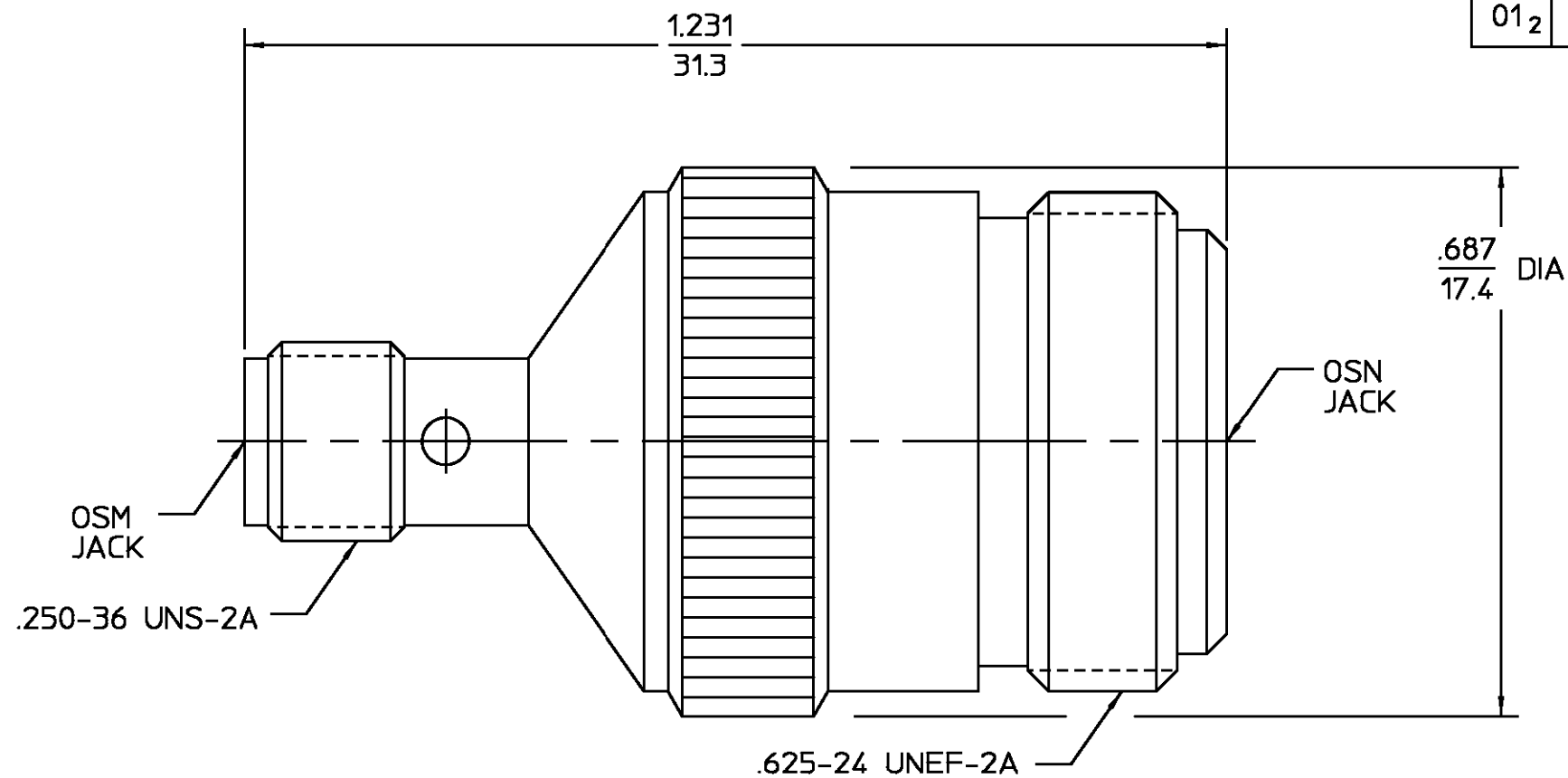


REVISIONS			
REV	DESCRIPTION	DATE	APPROVED
01 ₂	REVISED	03/17/95	<i>AD</i>



HOUSING	STAINLESS STEEL PER ASTM-A484 AND ASTM-A582, TYPE 303	PASSIVATE PER QQ-P-35
DIELECTRIC	TFE FLUOROCARBON PER ASTM-D-1457	N/A
CENTER CONTACT	BERYLLIUM COPPER PER ASTM-B-196 OR ASTM-B-197, ALLOY C17300, CONDITION H	GOLD PLATE PER MIL-G-45204
COMPONENT	MATERIAL	FINISH
UNLESS OTHERWISE SPECIFIED DIMENSIONS ARE IN INCHES	DRAWN BY: MDC CHECKED BY: APP'D BY: DC DATE: 11-6-76 DATE: 11-8-76	AMP Incorporated 140 Fourth Avenue Waltham, MA 02451-7599
FRAC. ± 1/64 DEC. ± .005 ANGLES ± 1°	USE ASSY PROCEDURE NO. A.P. N/A	TITLE: OSM JACK TO OSN JACK ADAPTER SIZE: B CODE IDENT NO.: 26805 SCALE: 5 : 1
		3080-2240-00 N/A SHEET 1 OF 1
		REV 01 ₂

NOTES:
1. CAPTURED CENTER CONTACT

.XXX = in
XX.X = mm

These drawings and specifications are the property of M/A COM Interconnect Div. and shall not be reproduced or copied or used in whole or in part as the basis for the manufacture or sale of item(s) without written permission.

CUSTOMER DRAWING

AMP PART # 1057341-1
SHEET 1 OF 1 REV A