

MICRO SWITCH

A DIVISION OF MINNEAPOLIS-HONEYWELL REGULATOR COMPANY
PREEPORT, ILLINOIS

FED. MFR. CODE 91929

PACKET



CATALOG LISTING

1 P A 4

1 P A 4

M

DRAWING NUMBER

X 2

ISSUE

REPLACES

RELEASE NO. C08520

CHECK

REVISIONS
A C047659
D J W
10 DEC 80

C.N.T.

CHECK

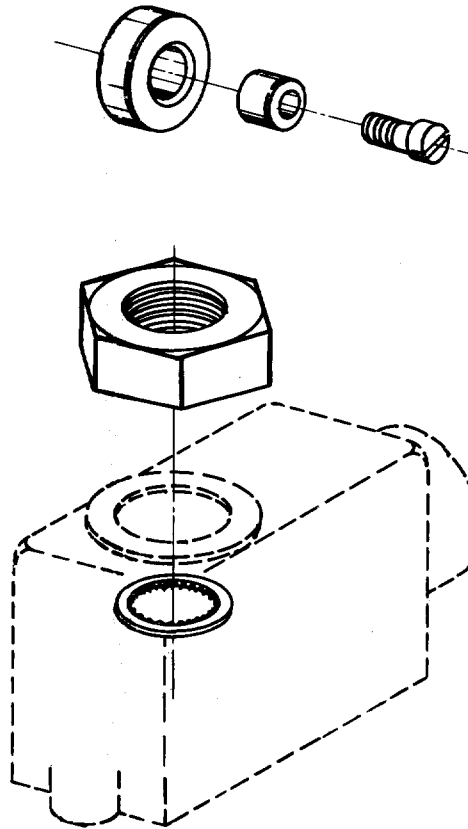
G.C.H. 7 FEB 57

CHECK

R. G. C. 4, FEB. '57

DRAWN

FO-90378



NOTE -

1- PARTS FURNISHED UNASSEMBLED IN BULK AS A PACKET.

THIS DRAWING COVERS A PROPRIETARY ITEM AND IS THE PROPERTY OF MICRO SWITCH, A DIVISION OF HONEYWELL. THIS DRAWING IS NOT TO BE COPIED OR USED WITHOUT THE APPROVAL OF MICRO SWITCH.

CHARACTERISTICS

ELECTRICAL DATA

SCALE

CONTACT ARRANGEMENT

BREAK DISTANCE

DO NOT SCALE PRINT

UNLESS OTHERWISE SPECIFIED

DIMENSIONS ARE IN INCHES

TOLERANCES ARE:

ONE PLACE (.0) ±.030

TWO PLACE (.00) ±.018

THREE PLACE (.000) ±.008

ANGLES ±

WEIGHT