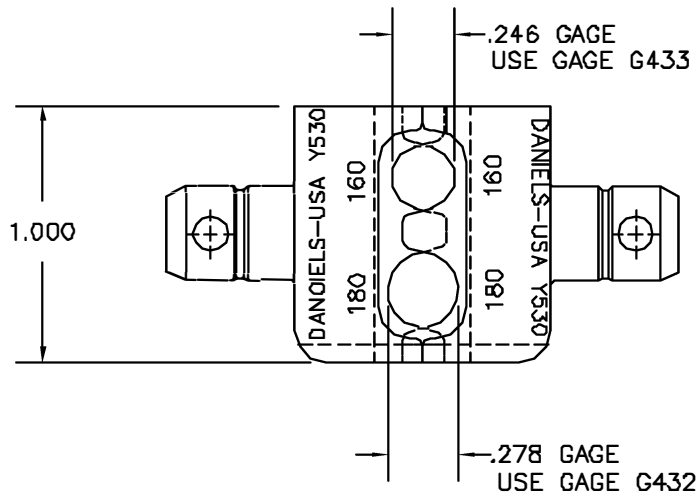
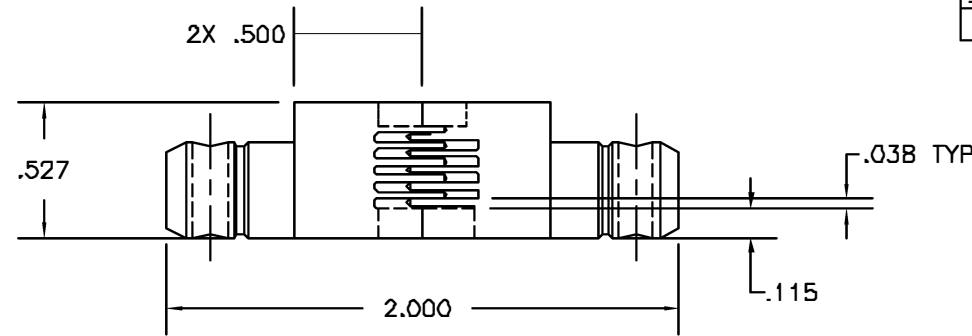



REVISIONS				
REV. SYM.	E.C.D. NUMBER	DESCRIPTION	BY DATE	APP'D DATE
1		ORIGINAL RELEASE	KM 2/18/88	JS 2/88



**UNCONTROLLED DOCUMENT
WILL NOT BE UPDATED**

- 2. PART NO. FOR COMPLETE TOOL (FRAME AND DIE) HX4-530.
- 1. EQUIVALENT TO BURNDY MRBPV-2 WHEN DIE IS INSTALLED IN HX4 FRAME.

NOTES:

RESTRICTED & CONFIDENTIAL CONFIDENTIAL PROPERTY OF DANIELS MANUFACTURING CORP. NOT TO BE DISCLOSED TO OTHERS, REPRODUCED OR USED FOR ANY OTHER PURPOSE, EXCEPT AS AUTHORIZED IN WRITING BY DANIELS MANUFACTURING. MUST BE RETURNED TO DANIELS MANUFACTURING CORP. ON COMPLETION OF ORDER OR OTHER PURPOSE FOR WHICH LENT.	MATERIAL	ITEM	PART NO.	QTY.	DESCRIPTION/REMARKS
	HEAT TREAT	DIRL	KM	DATE	 DANIELS MANUFACTURING CORP. ORLANDO, FLORIDA GAGE 11851
		CHKD.	JS	DATE	
	FINISH	APPD.	AAM	DATE	TITLE
APPD.			DATE	WHERE USED:	
DO NOT SCALE DRAWING					SIZE B SCALE 2X CAD P/N Y530-ENV SHEET OF 1 1 POSTING P/N Y530-ENV REV. 1