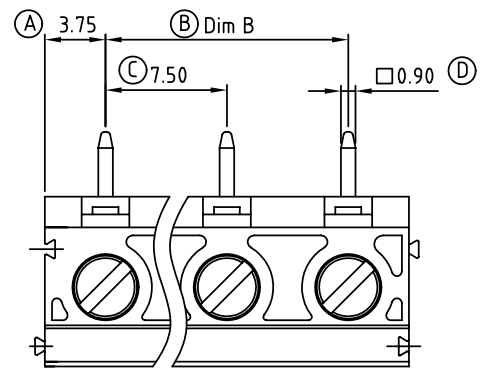


| SIGN | DATE | DESCRIPTION | APPROVER |
|--|----------|---|----------|
| △ | 10/26/09 | Wire guard solder pin is Changed from Brass to Copper | Aaron |
| △ | 11/09/10 | Add is " VDE " | Aaron |
| THIS IS CAD DRAWING, DO NOT REVISE MANUALLY!!! | | | |



DIMENSION

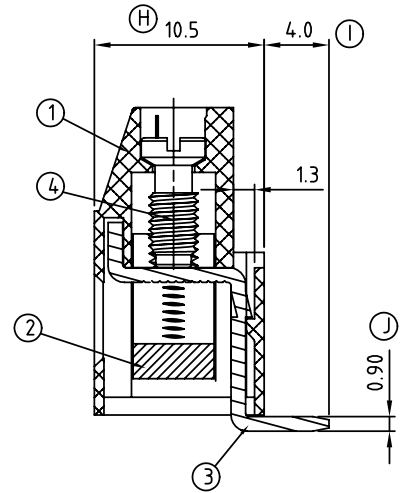
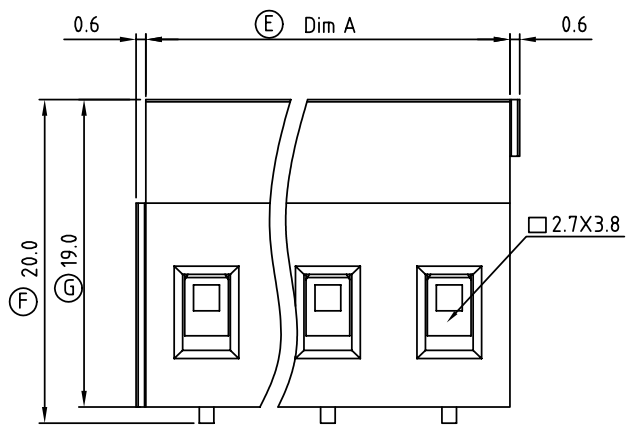
| Dim A | Dim B | Poles | Tolerance |
|-------|-----------|---------|-----------|
| Nx7.5 | (N-1)x7.5 | 4p-8p | ±0.15 |
| | | 9p-12p | ±0.25 |
| | | 13p-16p | ±0.35 |

N=Number of contacts

Material:

- Item 1 Terminal housing:Thermoplastic (UL 94V-0)
- Item 2 Clamp: Brass ,Ni plated
- △ Item 3 Wire guard solder pin: Copper ,Tin plated
- Item 4 Terminal screw: Steel Zinc plating"-slot type

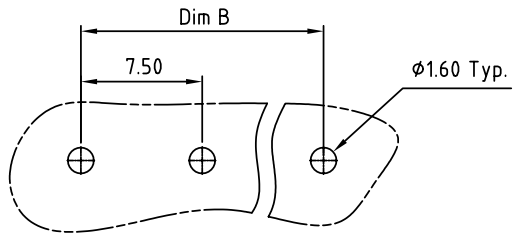
- △ Electrical cULus VDE
- Voltage rating: 300VAC 750V
 - Current rating: 20A 24A
 - Wire range : 0.2-2.5mm²
 - Solid wire(AWG): 12-30
 - Stranded wire(AWG): 12-30
 - Torque(Lb-In): 3.5 0.5 N.m
 - Screw: M3
 - Wire strip length: 6-7mm
 - Withstanding Voltage: 1.6KV 3KV
 - Operating temperature: -40°C to +115°C
 - Soldering temperature: 250°C±10°C/5 Sec
 - Safety Approval:



VJ xx 41 x 3 xxxx G

| | | |
|----------------|---------------------|---------------------------------------|
| No. of poles | 0 Black (RAL9005) | 0000:"@"Logo (Standard) |
| 04 4 CONTACTS | 2 Red (RAL3001/D) | 000A:"ANYTEK"Logo |
| 05 5 CONTACTS | 3 Orange(RAL2011/P) | Any special item by customer request, |
| | 4 Yellow(RAL1018/A) | please contact sales department. |
| 16 16 CONTACTS | 5 Green(RAL6018/T) | |
| | 6 Blue (RAL5015/A) | |
| | 8 Grey(RAL7035/D) | |

RoHS
Pb<40,000ppm



P.C.B LAYOUT

| ANYTEK | | CUSTOMER COPY | |
|---|--|----------------------|---------------------|
| ALL RIGHTS RESERVED. REPRODUCTION OR ISSUE TO THIRD PARTIES IN ANY FORM WHATSOEVER IS NOT PERMITTED WITHOUT WRITTEN AUTHORITY FROM THE PROPRIETOR. PROPERTY OF ANYTEK TECHNOLOGY CO., LTD | | | |
| TITLE | VJ-7.5 Series 4P-16P Vertical solid block (90D wire inlet) | | |
| PART NO. | VJxx41x3xxxxG | DWG NO. | 8VJ0207 |
| APPROVED | CHECKED | DESIGNED | DRAWN |
| | | Aaron 2010.11.09 | Aaron 2009.10.26 |
| | | | |
| | | SHEET: 01/01 | |
| | | UNIT: mm | Tolerance |
| | | SCALE: NONE | X. ±0.50 |
| | | REV: D | X.X ±0.30 |
| | | | X.XX ±0.10 |
| | | | X° ±1° |