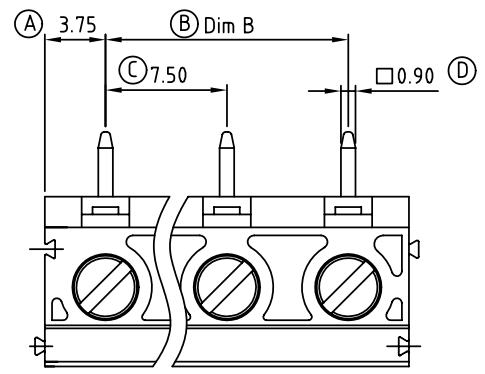


SIGN	DATE	DESCRIPTION	APPROVER
△	10/26/09	Wire guard solder pin is Changed from Brass to Copper	Aaron
△	11/09/10	Add is " VDE "	Aaron

THIS IS CAD DRAWING, DO NOT REVISE MANUALLY!!!



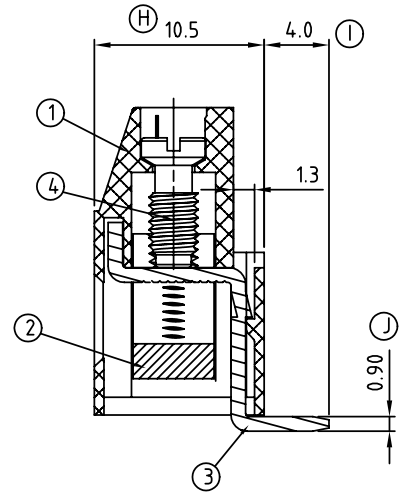
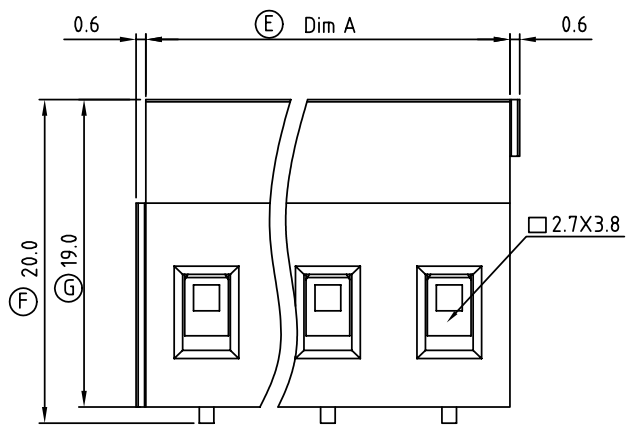
DIMENSION

Dim A	Dim B	Poles	Tolerance
Nx7.5	(N-1)x7.5	4p-8p	±0.15
		9p-12p	±0.25
		13p-16p	±0.35

N=Number of contacts

- Material:
- Item 1 Terminal housing:Thermoplastic (UL 94V-0)
 - Item 2 Clamp: Brass ,Ni plated
 - Item 3 Wire guard solder pin: Copper ,Tin plated
 - Item 4 Terminal screw: Steel Zinc plating"-slot type

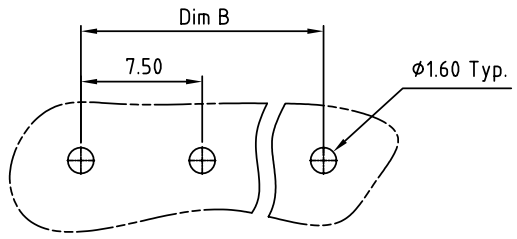
- Electrical cULus VDE
- Voltage rating: 300VAC 750V
 - Current rating: 20A 24A
 - Wire range : 0.2-2.5mm²
 - Solid wire(AWG): 12-30
 - Stranded wire(AWG): 12-30
 - Torque(Lb-In): 3.5 0.5 N.m
 - Screw: M3
 - Wire strip length: 6-7mm
 - Withstanding Voltage: 1.6KV 3KV
 - Operating temperature: -40°C to +115°C
 - Soldering temperature: 250°C±10°C/5 Sec
 - Safety Approval:



VJ xx 41 x 3 xxxx G

No. of poles	0 Black (RAL9005)	0000:"@"Logo (Standard)
04 4 CONTACTS	2 Red (RAL3001/D)	000A:"ANYTEK"Logo
05 5 CONTACTS	3 Orange(RAL2011/P)	Any special item by customer request,
... ..	4 Yellow(RAL1018/A)	please contact sales department.
16 16 CONTACTS	5 Green(RAL6018/T)	
	6 Blue (RAL5015/A)	
	8 Grey(RAL7035/D)	

RoHS Pb<40,000ppm



P.C.B LAYOUT

ANYTEK		CUSTOMER COPY		ALL RIGHTS RESERVED. REPRODUCTION OR ISSUE TO THIRD PARTIES IN ANY FORM WHATSOEVER IS NOT PERMITTED WITHOUT WRITTEN AUTHORITY FROM THE PROPRIETOR. PROPERTY OF ANYTEK TECHNOLOGY CO., LTD			
				TITLE	VJ-7.5 Series 4P-16P Vertical solid block (90D wire inlet)		
PART NO.	VJxx41x3xxxxG		DWG NO.	8VJ0207			
APPROVED	CHECKED	DESIGNED	DRAWN	CUST NO.	Tolerance		
		Aaron 2010.11.09	Aaron 2009.10.26		X.	±0.50	
					X.X	±0.30	
					X.XX	±0.10	
					X°	±1°	

UNIT: mm
SCALE: NONE
SHEET: 01/01 REV: D