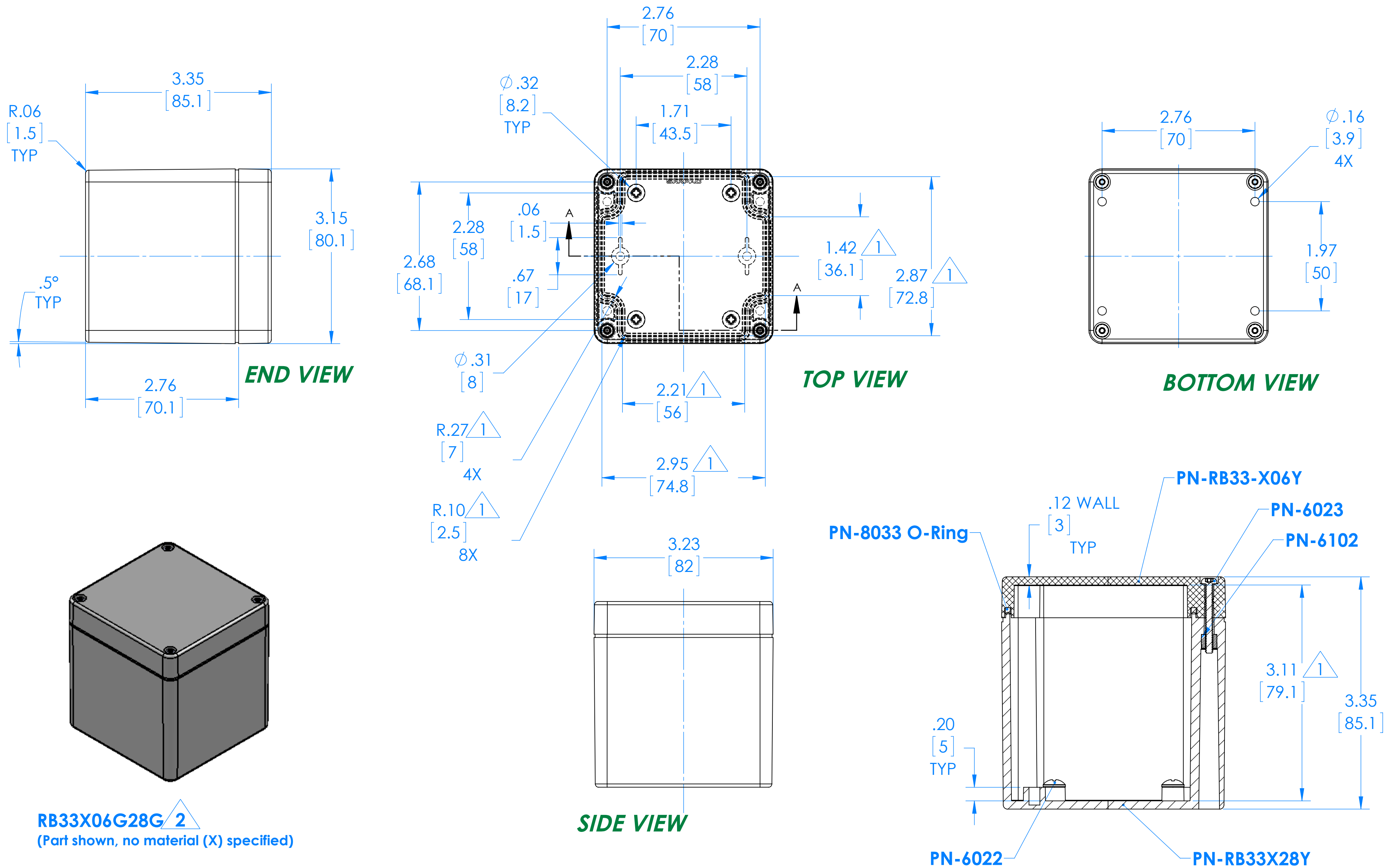


SERPAC RB33X06Y28Y 2

Electronic Enclosures



RB33X06G28G 2
 (Part shown, no material (X) specified)

| PN | Description |
|-----------|--------------------------------|
| RB33-X06Y | (1) RB33-X06Y, Top |
| RB33X28Y | (1) RB33X28Y, Bottom |
| 8033 | (1) RB33 O-Ring |
| 6023 | (4) #4-40 Torx 10 Hd Screw |
| 6022 | (4) #10 High/Low Pan Hd x 1/4" |
| 6102 | (4) #4-40 Threaded Insert |

\triangle 1 = INTERIOR DIMENSIONS (@ BOTTOM)
 \triangle 2 = STANDARD COLORS (Y) ARE: BLACK (B), CLEAR (C) AND GRAY (G)
 TOPS AND BOTTOMS ALL POSSIBLE COMBINATIONS AVAILABLE
 STANDARD MATERIALS (X) ARE: POLYCARBONATE (P) AND ABS (A)

-Watertight enclosure meets or exceed Nema 4 and or IP67.

DIMENSIONS in Inch [mm]