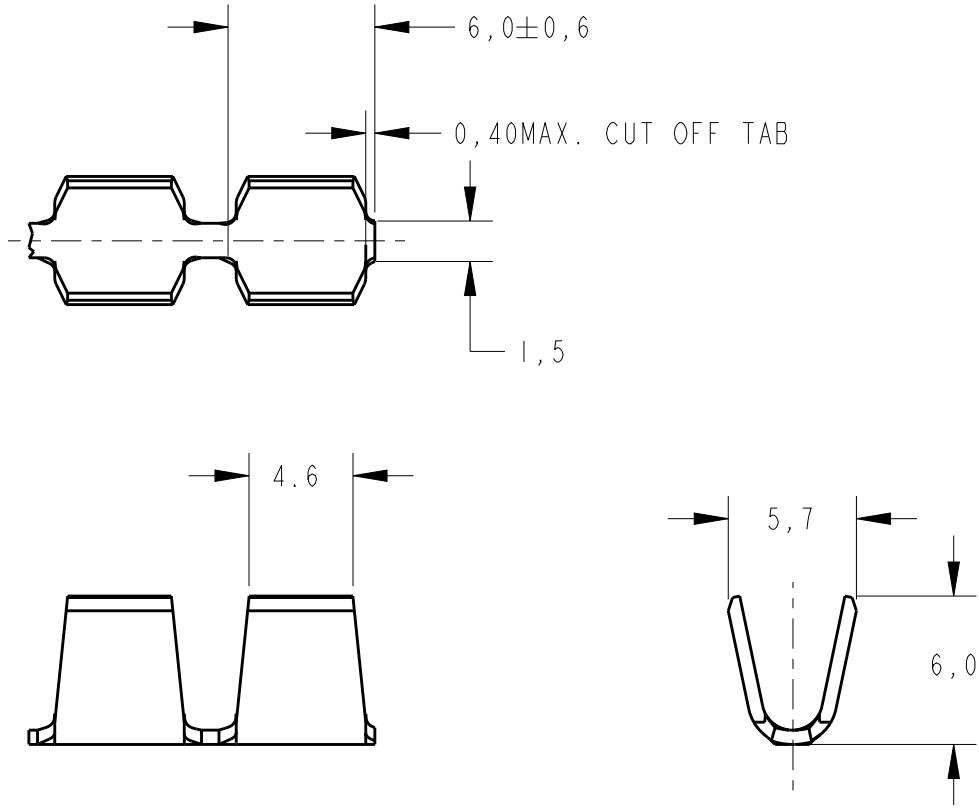


LOC	DIST	REVISIONS			
P	LTR	DESCRIPTION	DATE	DWN	APVD
AP	-				
	B	REDRAW BY ECO-06-013605	09AUG2006	HC	WLS
	BI	REV. BY ECO 17-012248	21AUG2017	HC	WLS



OBSOLETE	TIN PLATED	BRASS	155353-2
	—	BRASS	155353-1
7000/12000CMA	FINISH	MATERIAL	PART NUMBER

DIMENSIONS: mm	DWN H.C. Canteri 09August2006	MATERIAL -	FINISH -
	CHK W.L. STEFANI 09August2006		
TOLERANCES UNLESS OTHERWISE SPECIFIED:	APVD -		
0 PLC ±-	PRODUCT SPEC -	SIZE A4	RESTRICTED TO -
1 PLC ±0,3	APPLICATION SPEC -	CAGE CODE -	DRAWING NO C-155353
2 PLC ±-	WEIGHT -	SCALE 5/1	SHEET 1 OF 1
3 PLC ±-		REV BI	
4 PLC ±-			
ANGLES ±-			
Customer Drawing			

THIS DRAWING IS UNPUBLISHED.
 ALL RIGHTS RESERVED.
 © COPYRIGHT copyright_dBTe -

