

DIO2763

200MHz, Triple, Video Driver Filters with 6dB Gain

Features

- Triple 200MHz Video Drivers
- 6dB Output Driver Gain
- Drive Dual Video Loads
- Transparent Input Clamping
- AC or DC Coupled Inputs
- AC or DC Coupled Outputs
- Operates from 3.135V to 5.25V
- 8kV ESD protection
- RoHS or Green SOIC-8 Package

Applications

- DVD Players
- Video Amplifiers
- Cable set-top boxes
- Personal Video Recorders
- Communications Devices
- Video on Demand

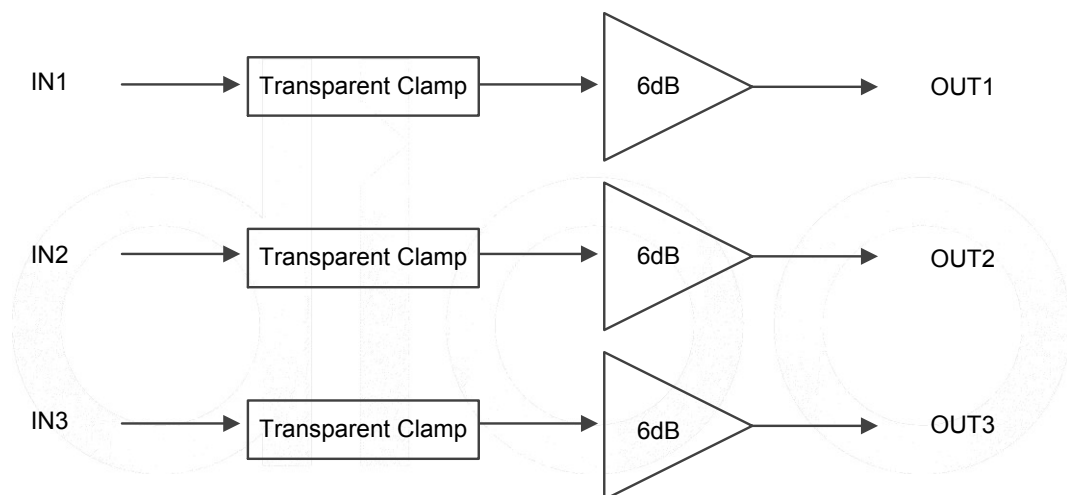
Descriptions

DIO2763 is triple high-speed video buffers with $G = +2$. Each video buffer has -3dB full signal bandwidth in excess of 200MHz, along with slew rates in excess of 300V/ μ s. With -65dB of crosstalk at 1MHz

The differential gain and differential phase error are 0.01% and 0.02°. The DIO2763 is ideal for RGB and YPbPr signal buffering or driving.

Operating from single power supply ranging from 3.135V to 5.25V and sinking an ultra-low 27mA quiescent current, the DIO2763 is also ideally suited for battery powered applications.

Block Diagram

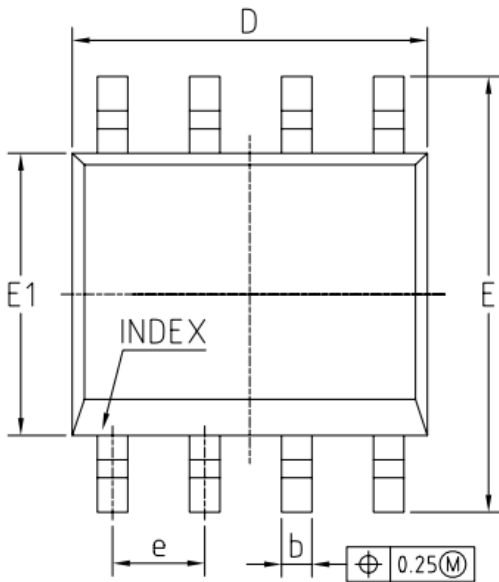
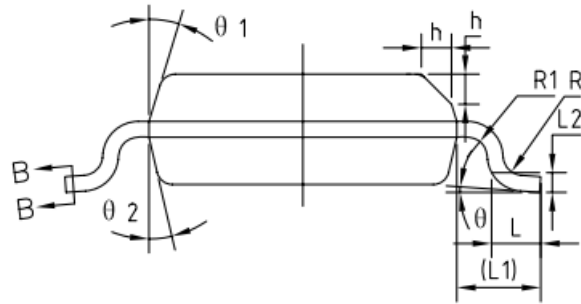
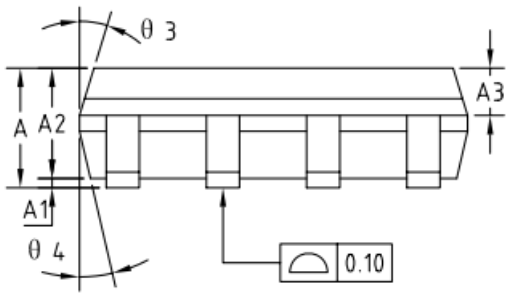


Ordering Information

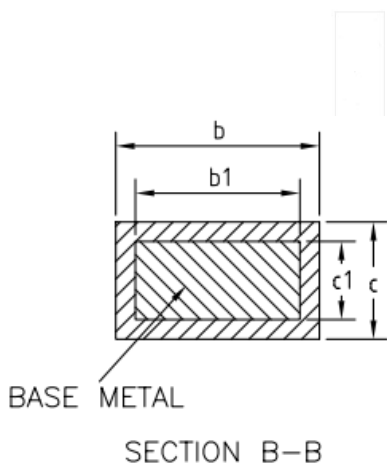
Order Part Number	Top Marking		T _A	Package
-------------------	-------------	--	----------------	---------

DIO2763CS8	DIO2763	RoHS or Green	-40 to +85°C	SOIC-8	Tape & Reel, 2500
------------	---------	---------------	--------------	--------	-------------------

Physical Dimensions: SOIC-8



COMMON DIMENSIONS (UNITS OF MEASURE=MILLIMETER)			
Symbol	MIN	NOM	MAX
A	1.35	1.55	1.75
A1	0.10	0.15	0.25
A2	1.25	1.40	1.65
A3	0.50	0.60	0.70
b	0.38	-	0.51
b1	0.37	0.42	0.47
c	0.17	-	0.25
c1	0.17	0.20	0.23
D	4.80	4.90	5.00
E	5.80	6.00	6.20
E1	3.80	3.90	4.00
e	1.27BSC		
L	0.45	0.60	0.80
L1	1.04REF		
L2	0.25BSC		
R	0.07	-	-
R1	0.07	-	-
h	0.30	0.40	0.50
θ	0°	-	8°
θ1	15°	17°	19°
θ2	11°	13°	15°
θ3	15°	17°	19°
θ4	11°	13°	15°





DIO2763

200MHz, Triple, Video Driver Filters with 6dB Gain

CONTACT US

Dioo is a professional design and sales corporation for high-quality and performance analog semiconductors. The company focuses on industry markets, such as, cell phone, handheld products, laptop, and medical equipments and so on. Dioo's product families include analog signal processing and amplifying, LED drivers and charger IC. Go to <http://www.dioo.com> for a complete list of Dioo product families.

For additional product information, or full datasheet, please contact with our Sales Department or Representatives.

