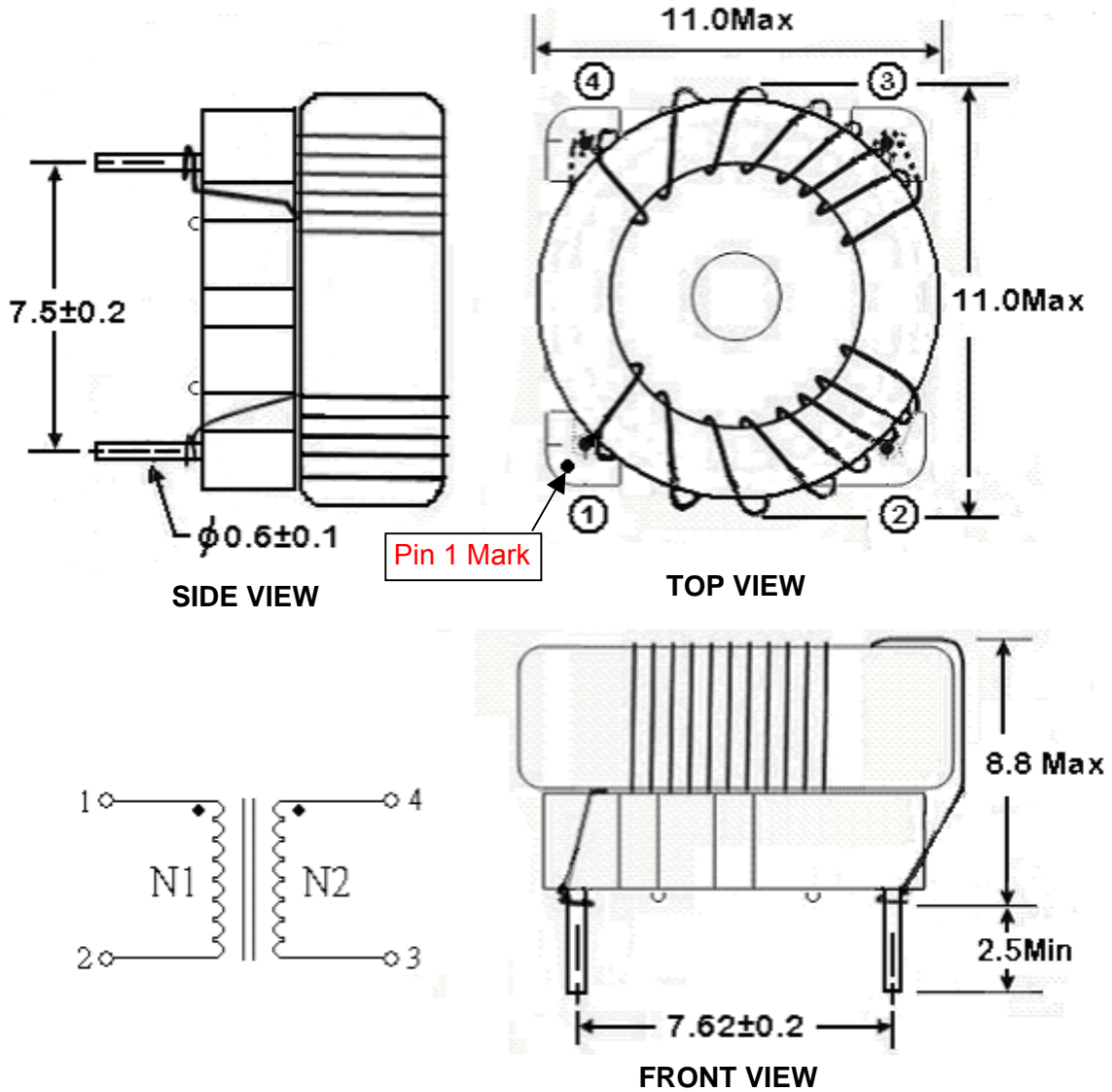


TCK-075



All dimensions in mm

SPECIFICATIONS

Inductance	Pin 1-2: $33.33 \mu\text{H} \pm 35\%$ Pin 3-4: $33.33 \mu\text{H} \pm 35\%$
	Test Condition: 100KHz/100mv Measurement Instrument: HP 4263B LCR Meter
Impedance	DCR (Max): $10 \text{ m}\Omega$
	Measurement Instrument: HIOKI 3540 $\text{m}\Omega$ HITESTER
Rated Current	IDC (Max): 3.3A
	Measurement Instrument: Agilent 34401A Meter
Recommended Through Hole	$\phi 0.8 \text{ mm}$

Mouser Electronics

Authorized Distributor

Click to View Pricing, Inventory, Delivery & Lifecycle Information:

[TRACO Power:](#)

[TCK-075](#)