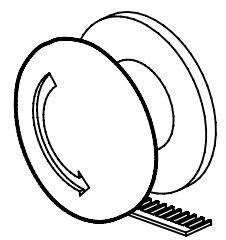
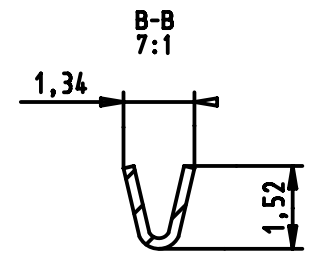
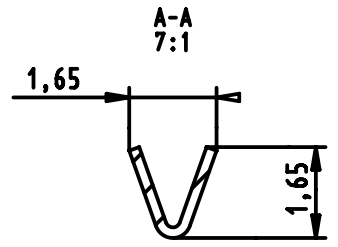
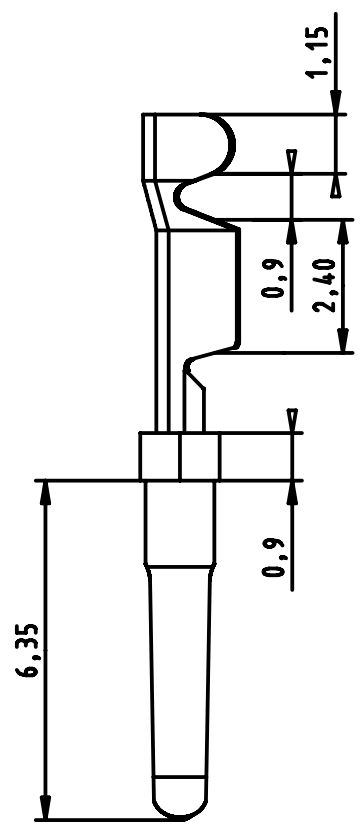
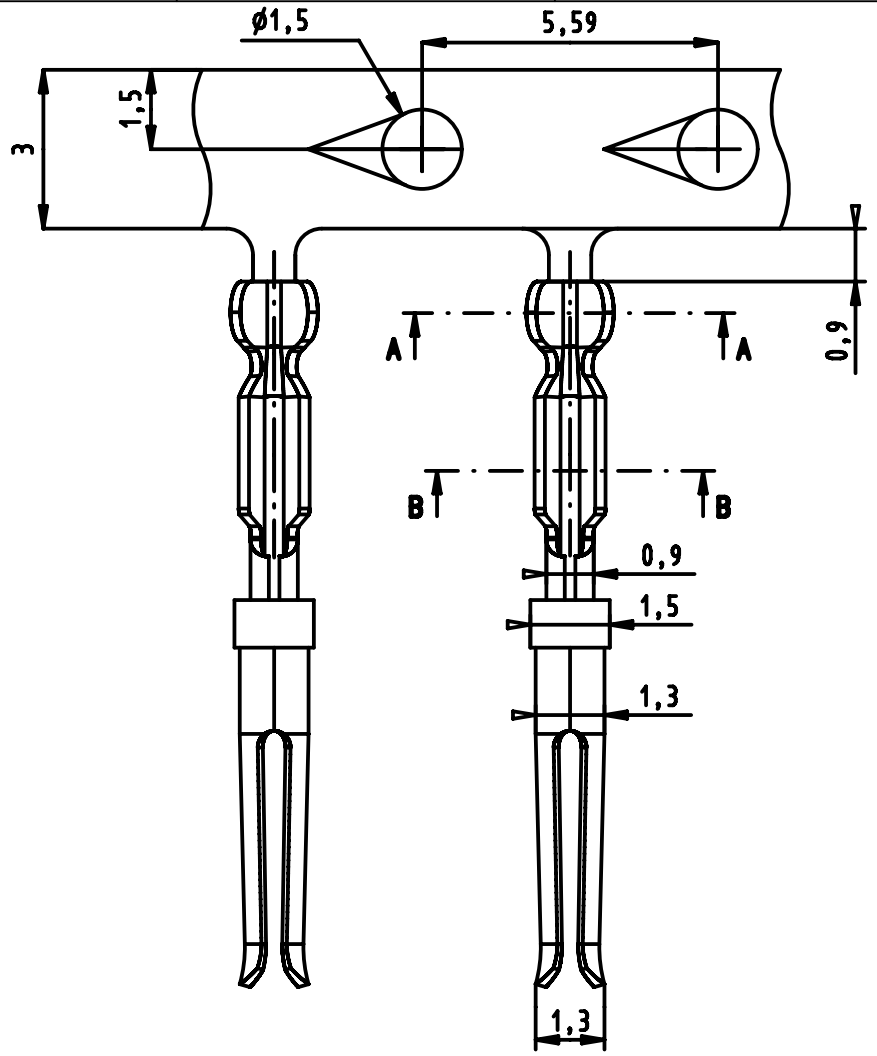


1 2 3 4 5 6



500 pcs reel, unrolling left

09560008265	S4
09560008267	3
Part number	Performance level

	All rights reserved Department EC PD - FR HARTING Electronics GmbH D-32339 Espelkamp	All Dimensions in mm Original Size DIN A4	Scale 5:1	Free size tol.	Ref.
		Created by DOUGE	Inspected by BAGDIKIAN	Standardisation HOFFMANN	Date 2012-12-14
Title D-Sub HD stamped female cont. AWG 24-26					Doc-Key / ECM-Nr. 100513556/UGD/001/A 50000055151
Type TB	Number 0956000826X				Rev. A
					Page 1/1

Mouser Electronics

Authorized Distributor

Click to View Pricing, Inventory, Delivery & Lifecycle Information:

[HARTING:](#)

[09560008267](#) [09560008265](#)