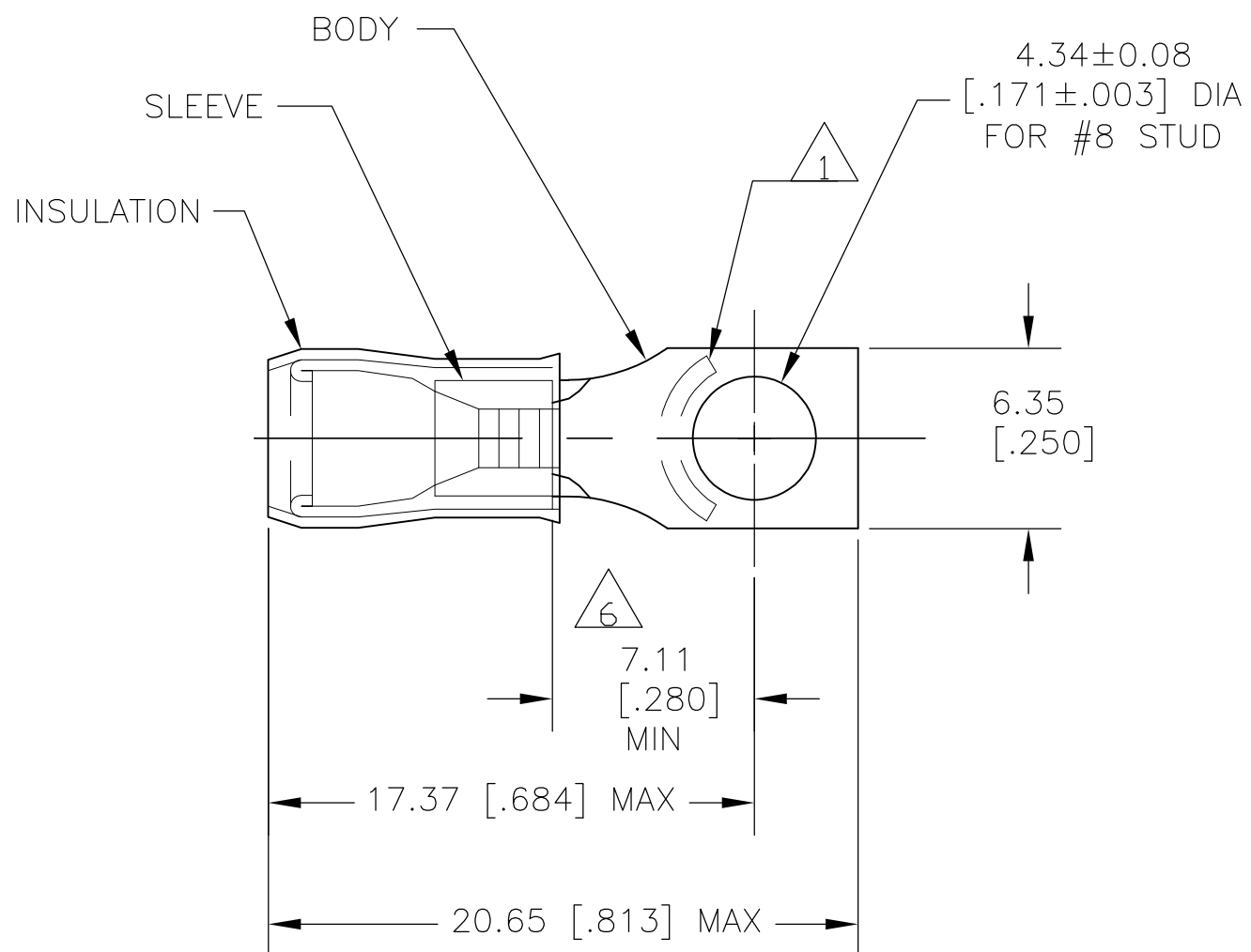


THIS DRAWING IS UNPUBLISHED. RELEASED FOR PUBLICATION
 © COPYRIGHT BY TYCO ELECTRONICS CORPORATION. ALL RIGHTS RESERVED.

| LOC | DIST | REVISIONS | | | | | |
|-----|------|-----------|-----|-----------------------|---------|-----|------|
| | | P | LTR | DESCRIPTION | DATE | DWN | APVD |
| G | 14 | | G | REV PER ECR 07-027324 | 13NOV07 | JR | TM |



- 1 STAMP AMP 16-14* APPROX AS SHOWN
- 2 WIRE INSULATION DIA: 2.7-3.8 [.105-.150]
- 3 TONGUE MATERIAL THK: 0.78±0.05 [.031±.002]
- 4 BODY & SLEEVE: TIN PLATE PER ASTM B545,
- 5 BODY & SLEEVE- CU PER ASTM B152 INSULATION - NYLON, COLOR - BLUE
- 6 APPLIES FROM EDGE OF METAL WIRE BARREL TO CENTER OF STUD HOLE.

| | | | |
|----------|-------|--------------|------------|
| OBSOLETE | -5000 | ON TAPE | 2-130476-1 |
| | 1000 | LOOSE PIECE | 130476 |
| | QTY | PACKAGE TYPE | PART NO |

| | | | | | | | | | | |
|--|--|---|--|---|---------------------------------|---|------|-----------|------------|---------------|
| AMP INCORPORATED CUSTOMER SERVICE SYSTEMS | | MAX RECOMMENDED OPERATING TEMPERATURE: 150°C MAX | THIS DRAWING IS A CONTROLLED DOCUMENT. | | DWN JR RUTH 12NOV07 | Tyco Electronics Corporation Harrisburg, Pa 17105-3608 | | | | |
| FOR ADDITIONAL PRODUCT INFORMATION OR COPIES OF DRAWINGS AND TECHNICAL DOCUMENTS | PRODUCT INFORMATION CENTER 1-800-522-6752 | VOLTAGE RATING: - | DIMENSIONS: MM [INCHES] | TOLERANCES UNLESS OTHERWISE SPECIFIED: | CHK T MICHELUTTI 12NOV07 | NAME TERMINAL, RECTANGULAR TONGUE, P.I.D.G. WIRE SIZE: 16-14 AWG | | | | |
| FOR APPLICATION TOOLING INFORMATION | TOOLING ASSISTANCE CENTER 1-800-722-1111 | CIRCULAR MIL AREA: 1.04-2.62mm² [2,050-5,180] STRANDED | | 0 PLC ± - 1 PLC ± - 2 PLC ± - 3 PLC ± - 4 PLC ± - ANGLES ± - | APVD T MICHELUTTI 12NOV07 | APPLICATION SPEC | SIZE | CAGE CODE | DRAWING NO | RESTRICTED TO |
| FOR ORDER ENTRY | 1-800-526-5142 | THIS DRAWING IS A CONTROLLED DOCUMENT FOR AMP INCORPORATED. IT IS SUBJECT TO CHANGE AND THE CONTROLLING ENGINEERING ORGANIZATION SHOULD BE CONTACTED FOR THE LATEST REVISION. | MATERIAL | FINISH | | WEIGHT | A3 | 00779 | G-130476 | |
| | | | | | CUSTOMER DRAWING | SCALE | 4:1 | SHEET | 1 OF 1 | REV G |