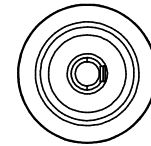
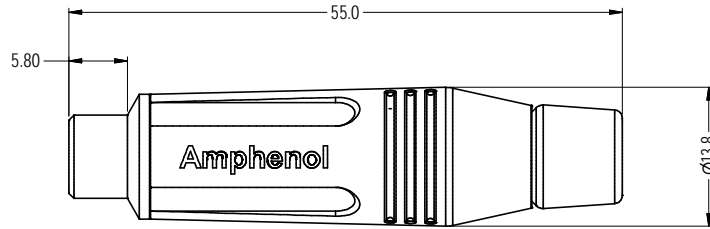
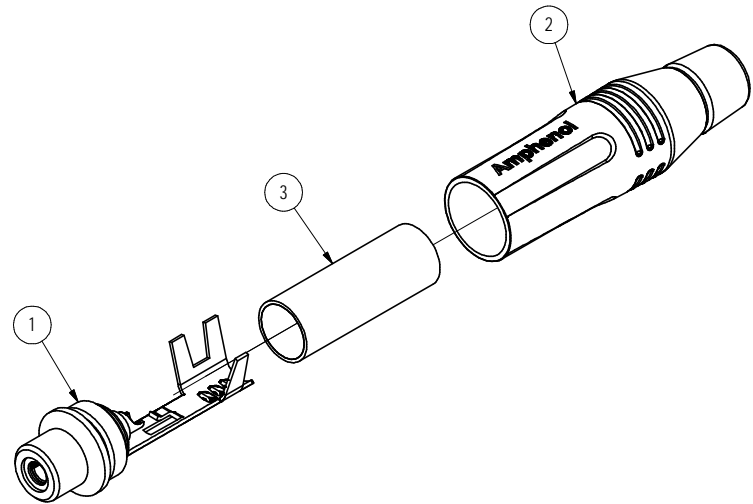


ISO VIEW



Part Numbers According to Backshell and Grommet Finish				
CATALOGUE P/No.	REFERENCE P/No.	BACKSHELL ASSEMBLY P/No.	SHELL FINISH	GROMMET FINISH
ACJR-SBK	55010300-000	53490001-331	NICKEL	BLACK
ACJR-BLK	55010300-001	53490001-431	BLACK	BLACK
ACJR-BRN	55010300-002	53490001-031	BROWN	BROWN
ACJR-RED	55010300-003	53490001-131	RED	RED
ACJR-YEL	55010300-004	53490001-231	YELLOW	YELLOW
ACJR-GRN	55010300-005	53490001-531	GREEN	GREEN
ACJR-BLU	55010300-006	53490001-631	BLUE	BLUE
ACJR-VIO	55010300-007	53490001-731	VIOLET	VIOLET
ACJR-GRY	55010300-008	53490001-831	GREY	GREY
ACJR-WHT	55010300-009	53490001-931	WHITE	WHITE
ACJR-SRD	55010300-010	53490001-332	NICKEL	RED
ACJR-SYL	55010300-011	53490001-333	NICKEL	YELLOW
ACJR-SGR	55010300-012	53490001-334	NICKEL	GREEN
ACJR-SBL	55010300-013	53490001-335	NICKEL	BLUE
ACJR-SWH	55010300-014	53490001-336	NICKEL	WHITE

Parts List				
ITEM	PART NUMBER	DWG No	DESCRIPTION	QTY
1	50310025-130	50310025-130-1	FEMALE RCA JACK INSERT ASSEMBLY	1
2	REFER TO TABLE	53490001-331-1	1/4" PHONE PLUG BACKSHELL ASSEMBLY	1
3	51270016-531	51270013-521-1	M-SERIES PLASTIC BIG TUBE	1



UNLESS OTHERWISE SPECIFIED TOLERANCE TO BE		THIS DOCUMENT IS THE PROPERTY OF AMPHENOL AUSTRALIA PTY. LTD. NO PART THEREOF MAY BE REPRODUCED AND USED WITHOUT THE PRIOR WRITTEN CONSENT OF THE OWNER			0	FIRST ISSUE	LV	03-06-04	---	
LINEAR	ANGULAR	CAD FILE: 55010300000110	DSD:	LV	DATE: 03-06-04	REV.	CHANGE DETAILS	BY	DATE	CHG/No
X ± 0.5 XX ± 0.1 XXX ± 0.05	X' ± 1 X'' ± 30' X''' ± 30'	MATL: REFER TO COMPONENTS	CKD:	M.N.H	DATE: 07-09-05	TITLE: FEMALE RCA JACK ASSEMBLY		Amphenol Australia Pty Ltd, 2 Pines Blvd, Keysborough, VIC 3171		
BREAK ALL SHARP EDGES AND REMOVE ALL BURRS		FINISH: REFER TO TABLE	APP'D:	P.M	DATE: 07-09-05	DRAWING NO.		SHEET		
DO NOT SCALE		DIMENSIONS IN MILLIMETRES	THIRD ANGLE PROJECTION	SCALE: 2:1 UOS	PART No: REFER TO TABLE	SIZE: A3	55010300-000-1	1/1		