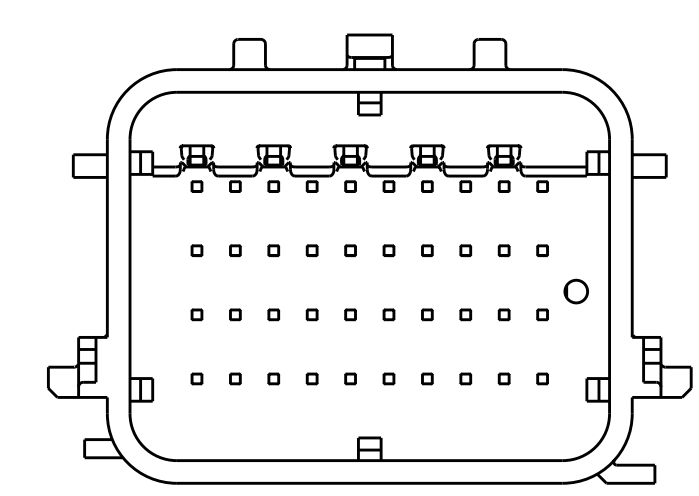
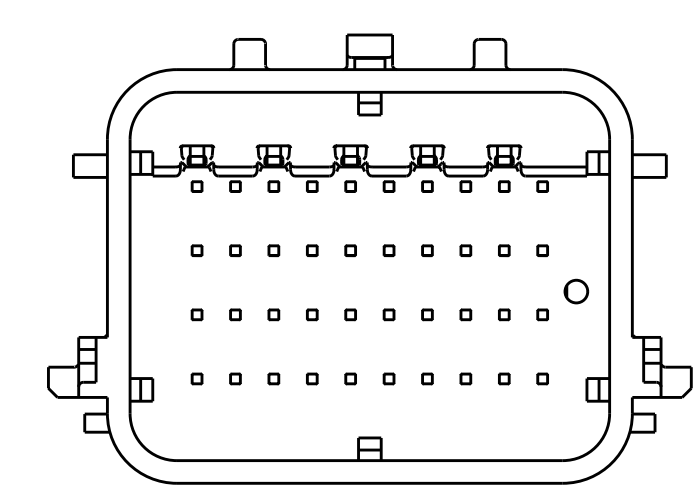
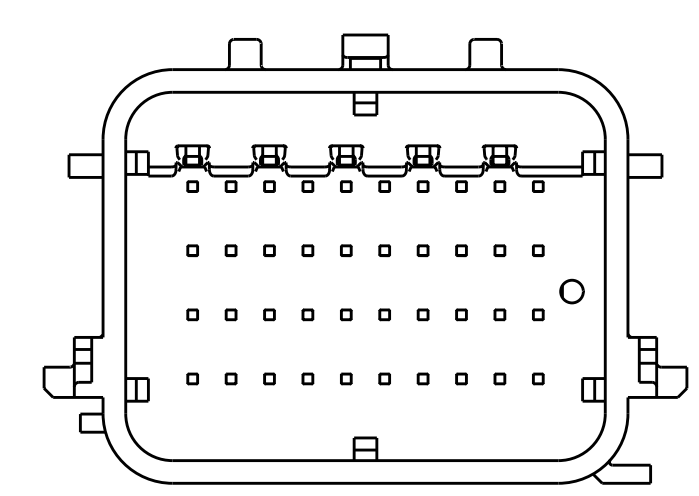
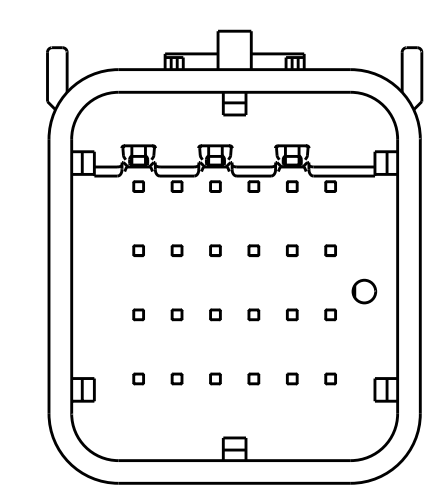
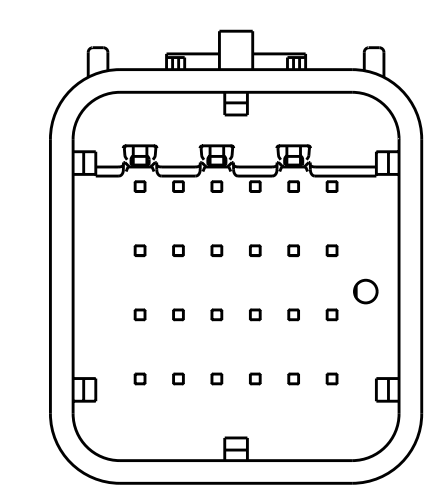
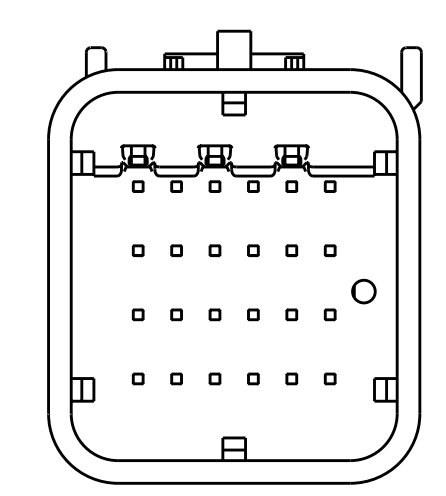


LOC	DIST	REVISIONS			
P	LTW	DESCRIPTION	DATE	DWN	APVD
B		REVISED PER ECO-08-010697	06MAY2006	RGV	WTW
C		REVISED PER ECO-08-027262	24NOV2006	DLD	WTW
D		REVISED PER ECO-09-000373	08JAN2009	DLD	WTW
E		REVISED PER ECO-10-001845	15FEB2010	DLD	WTW

24 WAY POCKET KEYING OPTIONS

40 WAY POCKET KEYING OPTIONS



KEYING OPTION "A"

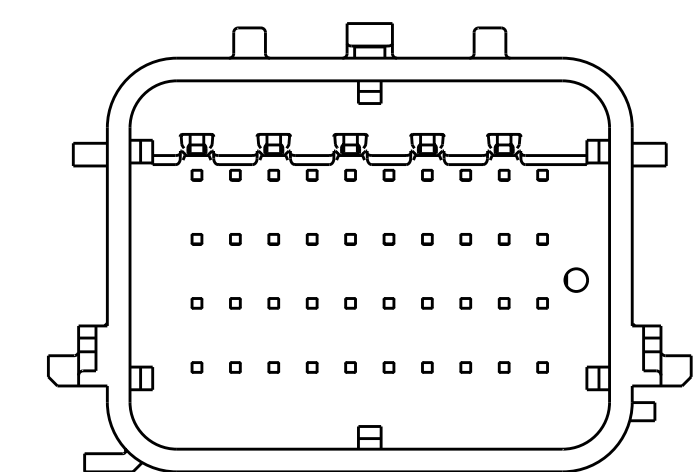
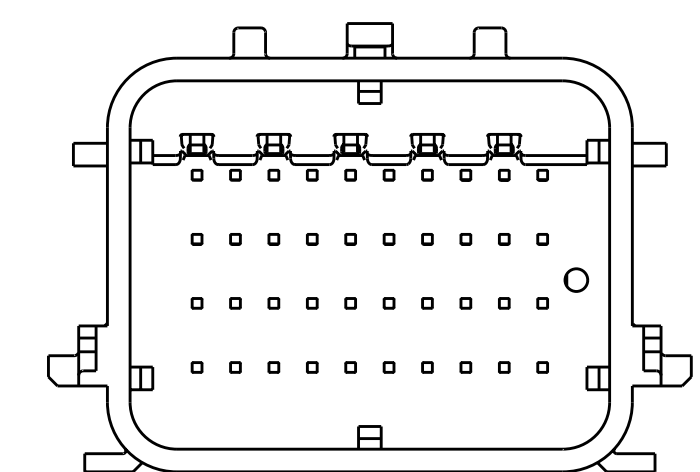
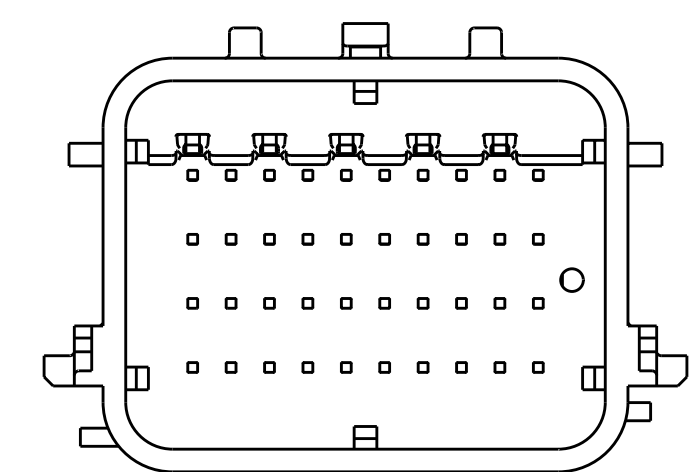
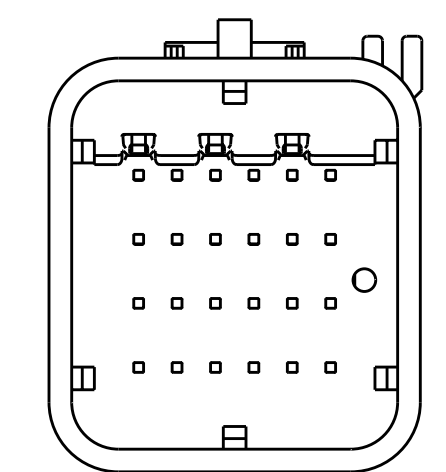
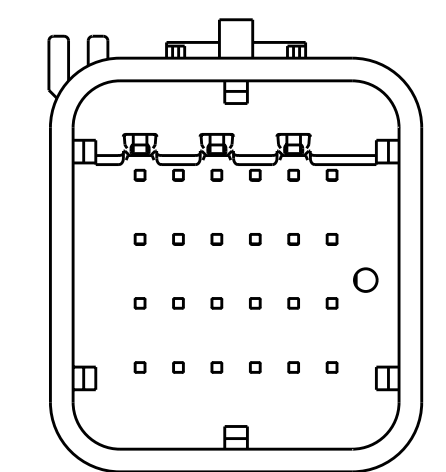
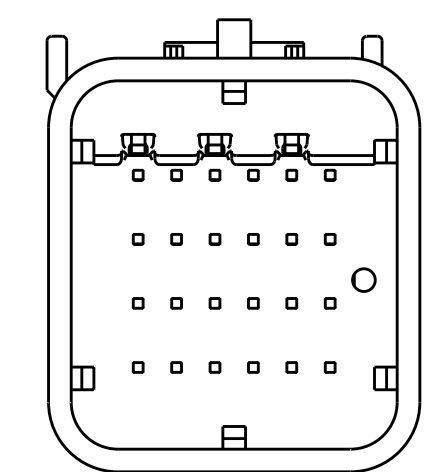
KEYING OPTION "B"

KEYING OPTION "C"

KEYING OPTION "G"

KEYING OPTION "H"

KEYING OPTION "J"



KEYING OPTION "D"

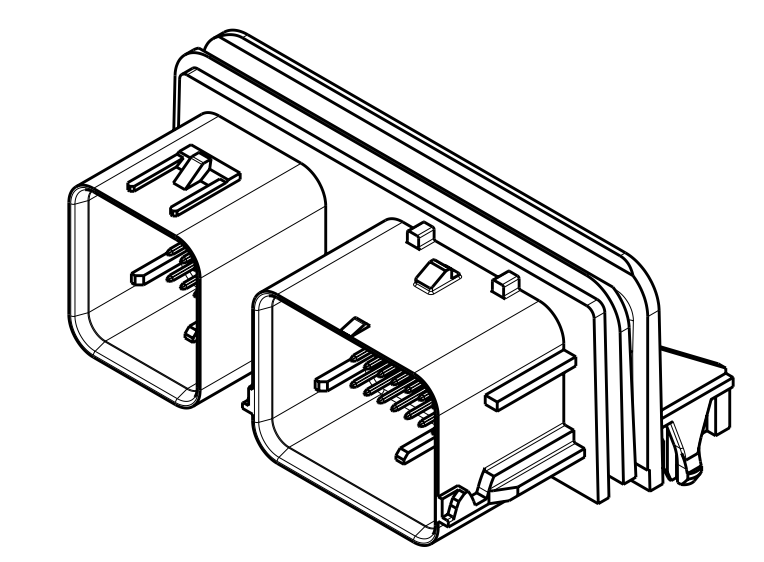
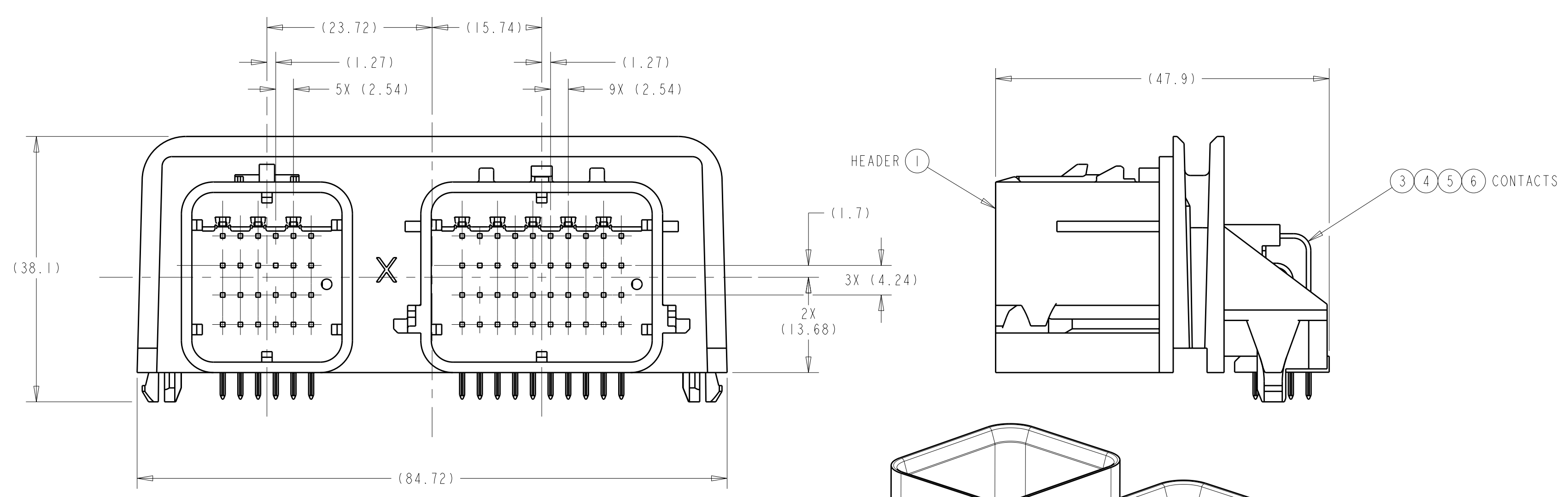
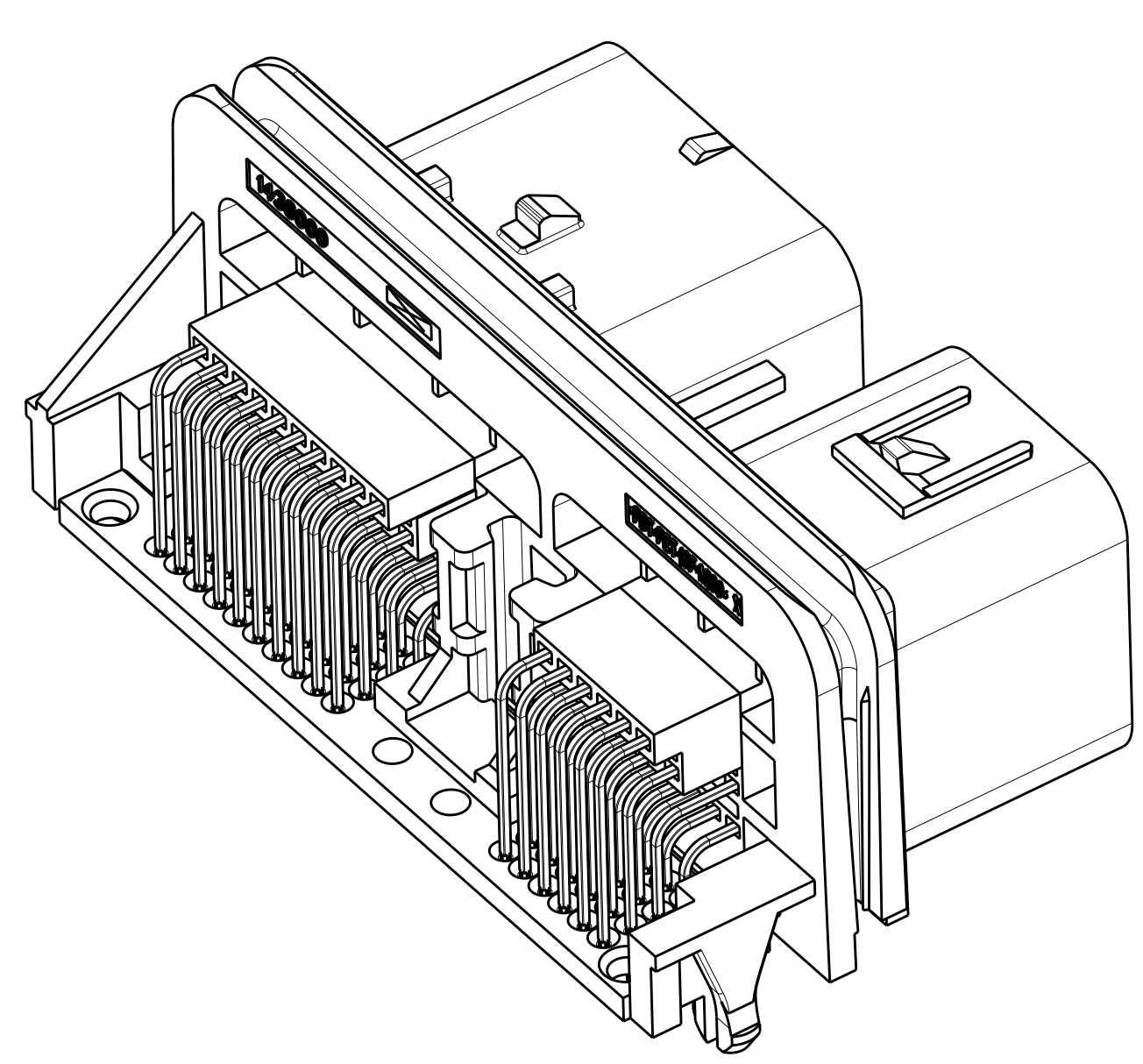
KEYING OPTION "E"

KEYING OPTION "F"

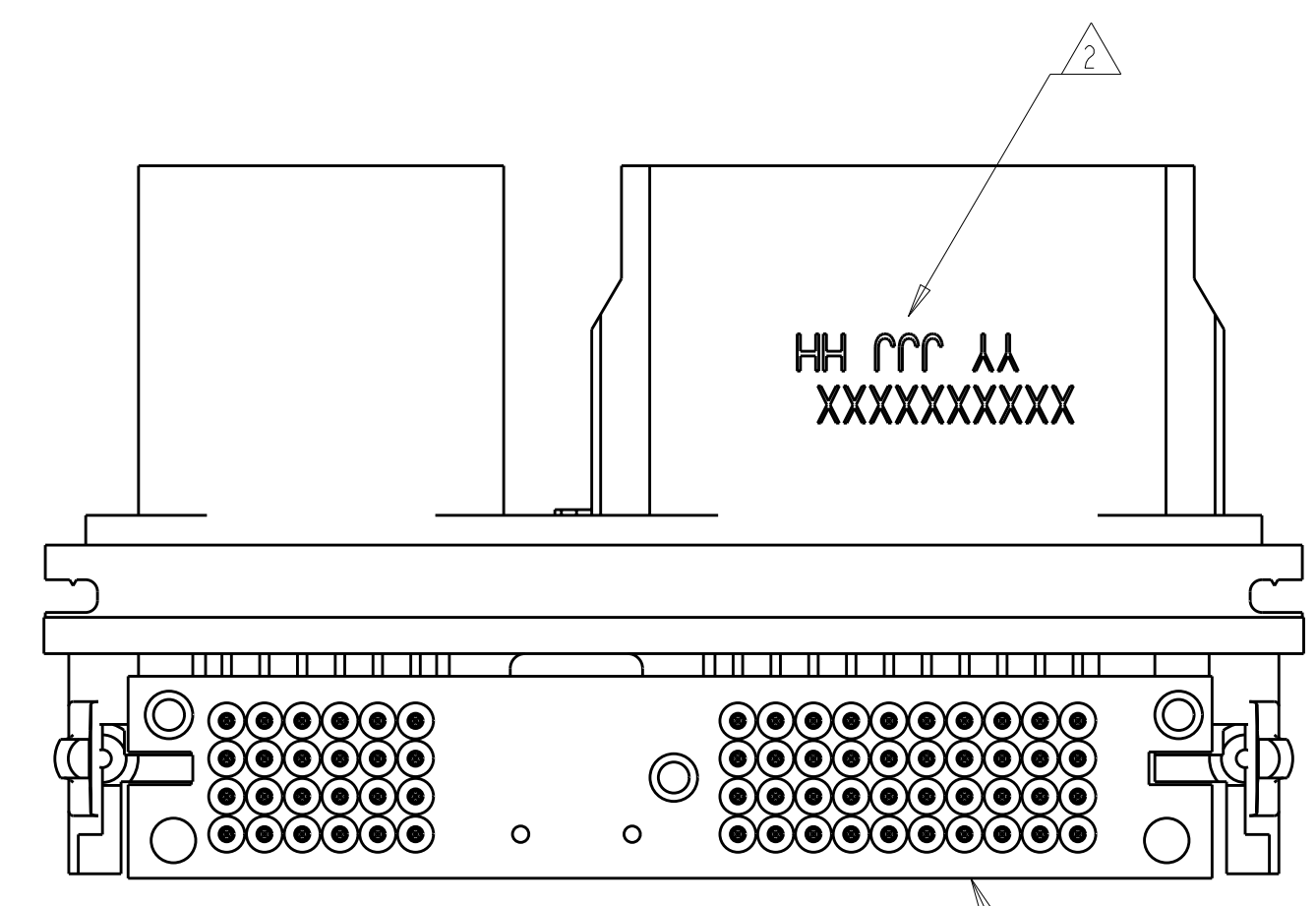
KEYING OPTION "K"

KEYING OPTION "L"

KEYING OPTION "M"



SCALE 1:1



2 TEMPLATE

- 0.64 CONTACT:  
MATERIAL: CuMg0.1  
CONTACT AREA PLATING: >0.8µm Au OVER  
2 - 3.5µm Ni  
SOLDER TAIL PLATING: 2.5 - 4µm SnPb10 OVER  
2 - 3.5µm Ni PER FORD SPEC.  
ES-F8DB-14A229-AA/BA/CA/DA

PRINT TRACEABILITY CODE (YY = TWO DIGIT YEAR, JJJ = JULIAN DAY, HH = TWO DIGIT MILITARY HOUR) AND CUSTOMER NUMBER ON 40 WAY POCKET OPPOSITE THE LATCH.

PART ASSEMBLY WEIGHT WITH 64 CONTACT PINS IS 57.30 GRAMS.

ASSEMBLY PART NUMBER		NO KEYING OPTION SHOWN			
QUANTITY	DESCRIPTION	MATERIAL	COLOR/FINISH	ITEM	
1456777-2					
1456777-1					
16	0.64 PLATED CONTACT	SEE NOTE 1	SEE NOTE 1	6	
16	0.64 PLATED CONTACT	SEE NOTE 1	SEE NOTE 1	5	
16	0.64 PLATED CONTACT	SEE NOTE 1	SEE NOTE 1	4	
16	0.64 PLATED CONTACT	SEE NOTE 1	SEE NOTE 1	3	
1	TEMPLATE	>PBT-GF30<	BLACK	2	
1	64 PIN HEADER WITH KEYING "AH"	>PBT-GF30<	BLACK	1	
---	64 PIN HEADER WITH KEYING "AJ"	>PBT-GF30<	BLACK	1	

DIMENSIONS: mm		TOLERANCES UNLESS OTHERWISE SPECIFIED:		DWN: WT, WELLSKY 02MAY2006		Tyco Electronics Harrisburg, PA 17105-3608	
0 PLC	±	1 PLC	±0.3	CHK: WT, WELLSKY 02MAY2006	NAME	TRUE 64 WAY ARM HEADER ASSEMBLY CUSTOMER SPEC.	
2 PLC	±0.10	3 PLC	±	APVD: WT, WELLSKY 02MAY2006	PRODUCT SPEC	SIZE	CAGE CODE DRAWING NO
4 PLC	±	5 PLC	±	APPLICATION SPEC	WEIGHT	00779	C=1456777
ANGLES	±	6 PLC	±	FINISH	CUSTOMER DRAWING	SCALE	2:1
MATERIAL: SEE CHART ABOVE		FINISH: -		RESTRICTED TO		SHEET 1 OF 1	