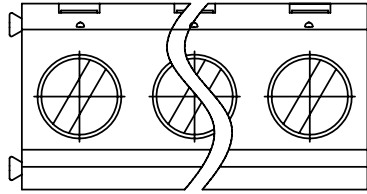


| SIGN | DATE | DESCRIPTION | APPROVER |
|------|----------|---|----------|
| △ | 01/18/07 | Soldering temperature changed from 245° to 250° | Tason |
| △ | 01/18/07 | Part NO is Changed | Tason |
| △ | 01/08/09 | Temperature changed from -30°C~+105°C to -40°C~+115°C | Kind |
| △ | 01/08/09 | Terminal screw changed from M2.5 to M3.0 | Kind |

THIS IS CAD DRAWING, DO NOT REVISE MANUALLY!!!

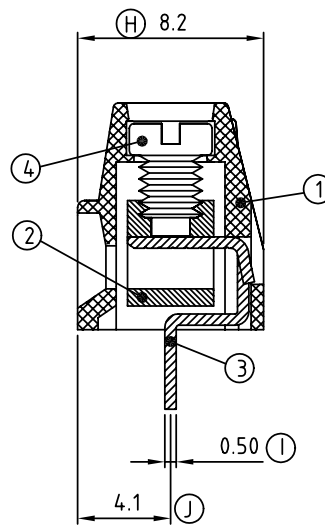
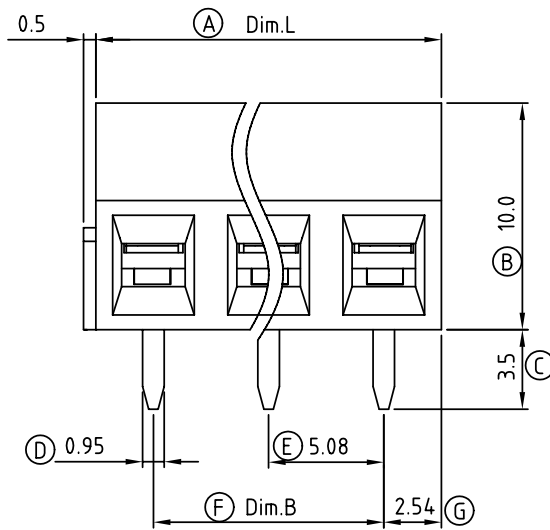


Material:

- Item 1 Terminal housing : Thermoplastic (UL 94V-0)
- Item 2 Clamp : Brass ,Ni plated
- Item 3 Wire guard solder pin : Brass ,Tin plated
- Item 4 Terminal screw: Steel Zinc plating"-slot type

Electrical UL

- Voltage rating: 300VAC
- Current rating: 10A
- Wire range:
 - Solid wire(AWG): 16-26
 - Stranded wire(AWG): 16-26
 - Torque(Lb-In): 3.5
- △ ● Screw: M3.0
- Wire strip length: 6-7mm
- Withstanding Voltage: 1.6KV
- △ ● Operating temperature: -40°C to +115°C
- △ ● Soldering temperature: 250°C±10°C/5 Sec
- Safety Approval: us

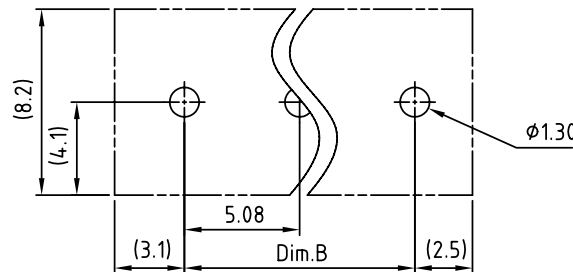


△ YC xx 21 x 0 xxxx G

| | | | |
|--|--|--|--------------------------|
| 02 2 CONTACTS 03 3 CONTACTS 24 24 CONTACTS | 0 Black 5 Green 6 Blue 8 Grey | 0000:"@Logo (Standard) 000A:"ANYTEK"Logo Any special item by customer request, please contact sales department. | Pb < 40,000ppm (RoHS) |
|--|--|--|--------------------------|

N=Number of contacts
 Dim.L=Nx5.08
 Dim.B=(N-1)x5.08

| Poles Dim. | 2~8P | 9~15P | 16~24P |
|---------------|-------|-------|--------|
| Dim.B | ±0.20 | ±0.25 | ±0.30 |
| Dim.L | ±0.20 | ±0.30 | ±0.40 |



P.C.B LAYOUT

ANYTEK

CUSTOMER COPY

ALL RIGHTS RESERVED. REPRODUCTION OR ISSUE TO THIRD PARTIES IN ANY FORM WHATSOEVER IS NOT PERMITTED WITHOUT WRITTEN AUTHORITY FROM THE PROPRIETOR. PROPERTY OF ANYTEK TECHNOLOGY CO., LTD

| | | | | | |
|----------|---------|-----------------------|--------------------|--------------|------------|
| TITLE | | YC 5.08 Series 2P-24P | | | |
| PART NO. | | YCxx21x0xxxxG | | DWG NO. | 8YC0001 |
| APPROVED | CHECKED | DESIGNED | DRAWN | CUST NO. | |
| | | Kind 2009.01.08 | Kind 2009.01.08 | | |
| | | | | | Tolerance |
| | | | | | UNIT: mm |
| | | | | SCALE: NONE | X.X ±0.30 |
| | | | | SHEET: 01/01 | X.XX ±0.10 |
| | | | | REV.: G | X° ±1° |