

6

5

4

3

2

1

E

E

D

D

C

C

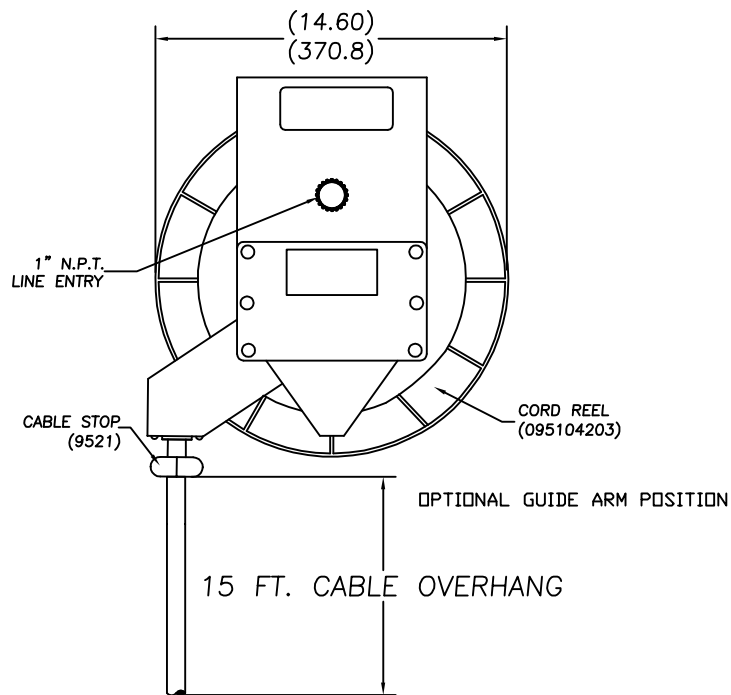
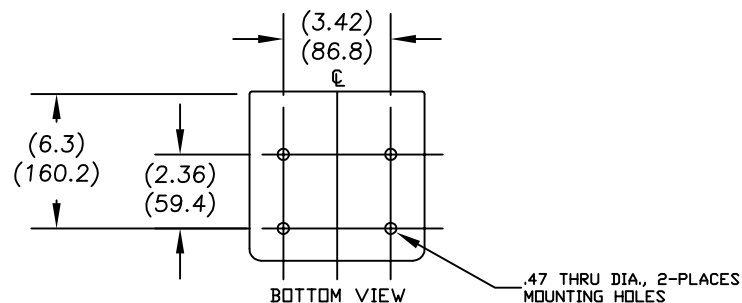
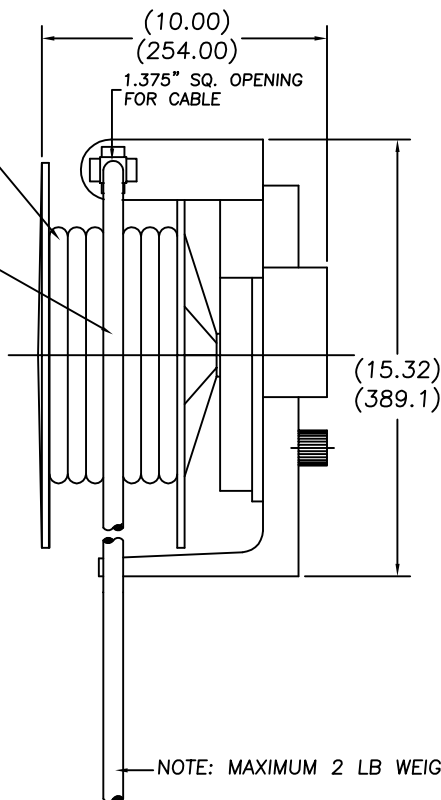
B

B

A

A

60 FEET TOTAL CABLE LENGTH
 45 ON SPOOL - WORKING CABLE
 15 FT. OF OVERHANG



RELEASE DRAWING EC NO: WNA2009-0763 DRWN: TVICKERS 5/21/09 CHKD: HKNEELAN 2009/04/30 APPR: DTTITUS 2009/08/10	QUALITY SYMBOLS ▽=0 ∇=0	GENERAL TOLERANCES (UNLESS SPECIFIED)		DIMENSION STYLE IN/MM		SCALE NTS	DESIGN UNITS INCH	THIRD ANGLE PROJECTION	
			mm	INCH	DRAWN BY DATE	TITLE			
		4 PLACES	±----	±----	TVICKERS 2009/05/21	095104203 W/ 60 FT. #12/3 SOOW CABLE			
		3 PLACES	±----	±.005	CHECKED BY DATE				
2 PLACES	±----	±.010	SC 2009/05/21	MOLEX INCORPORATED Molex logo					
1 PLACE	±----	±.020	APPROVED BY DATE						
ANGULAR ±----		DRAFT WHERE APPLICABLE MUST REMAIN WITHIN DIMENSIONS		MATERIAL NO. 1300830881		DOCUMENT NO. SD-130083-010		SHEET NO. 1 OF 1	
A	REV	SIZE A		THIS DRAWING CONTAINS INFORMATION THAT IS PROPRIETARY TO MOLEX INCORPORATED AND SHOULD NOT BE USED WITHOUT WRITTEN PERMISSION					

6

5

4

3

2

1