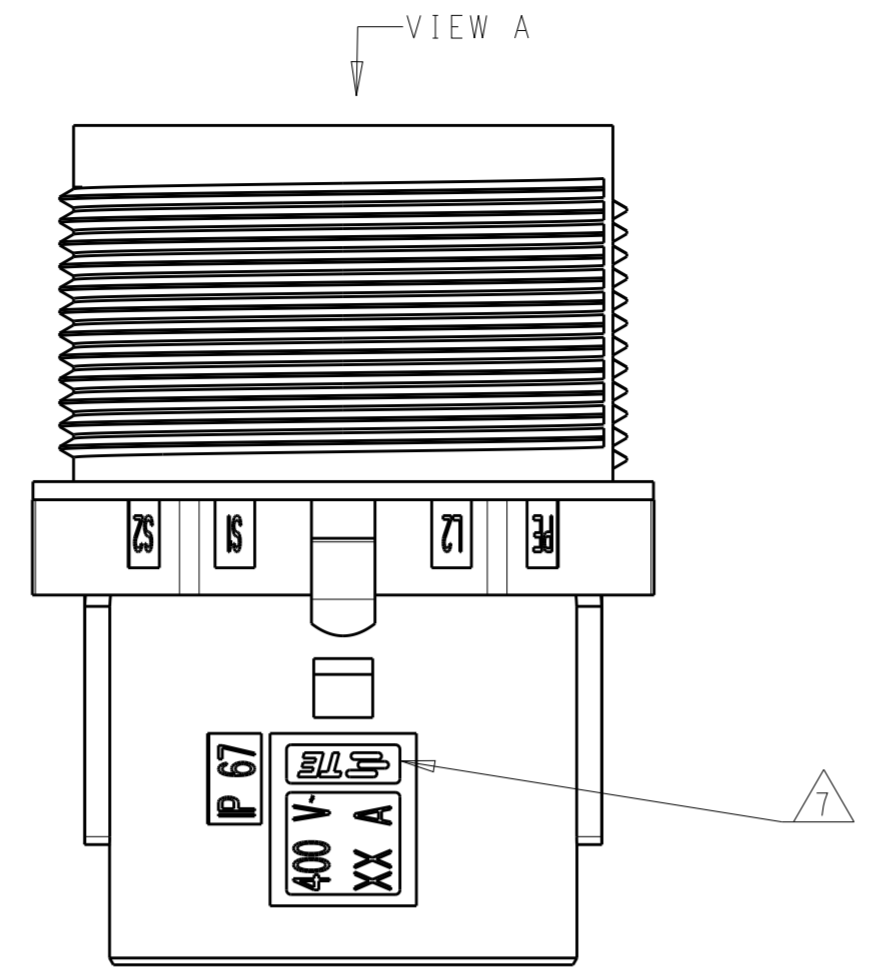
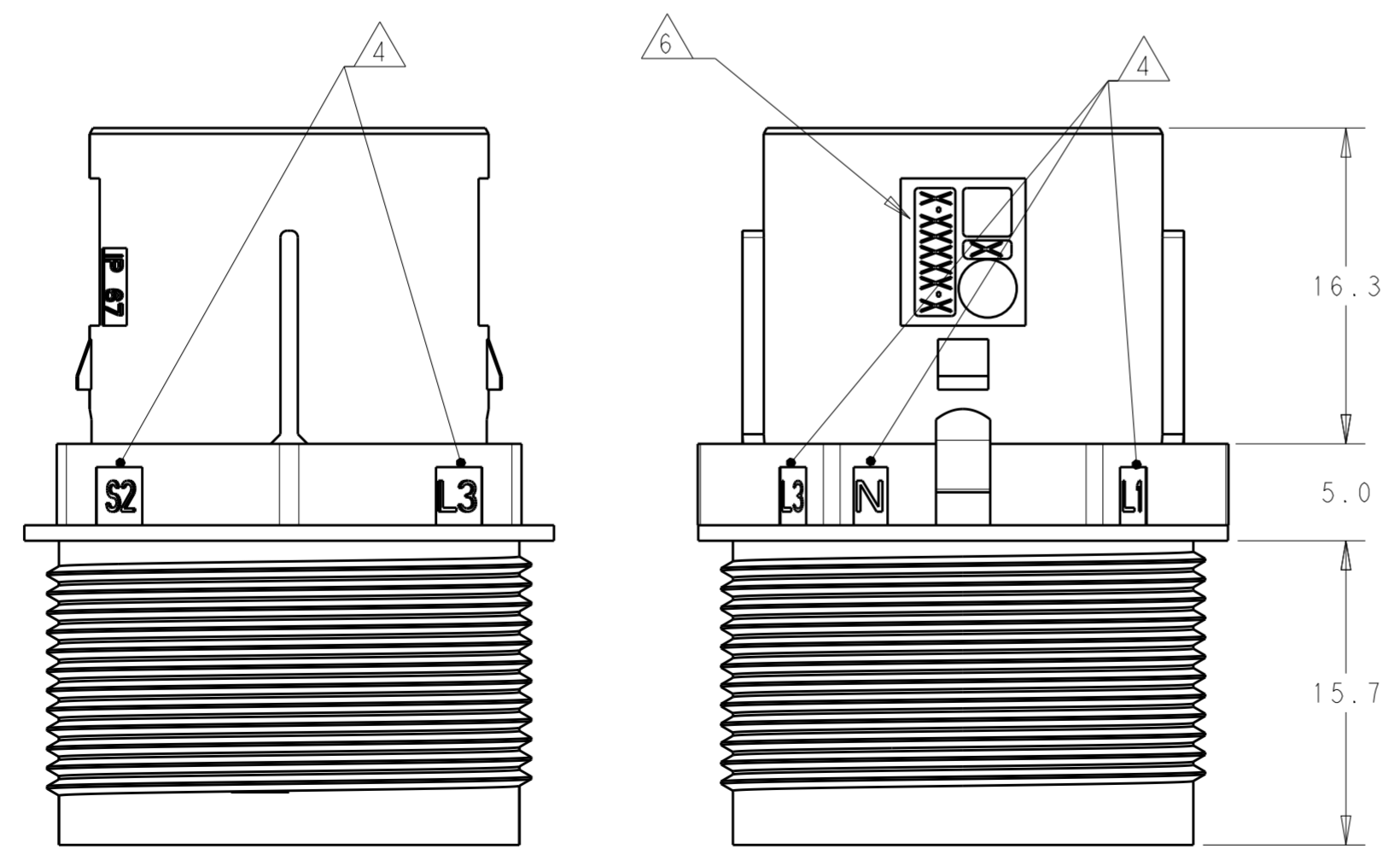
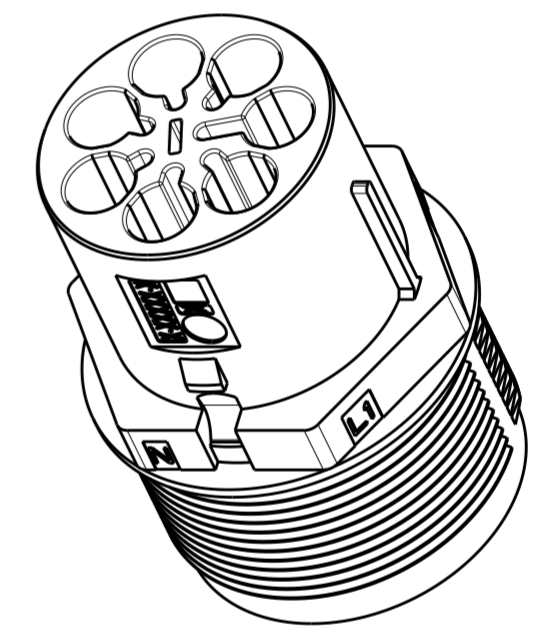
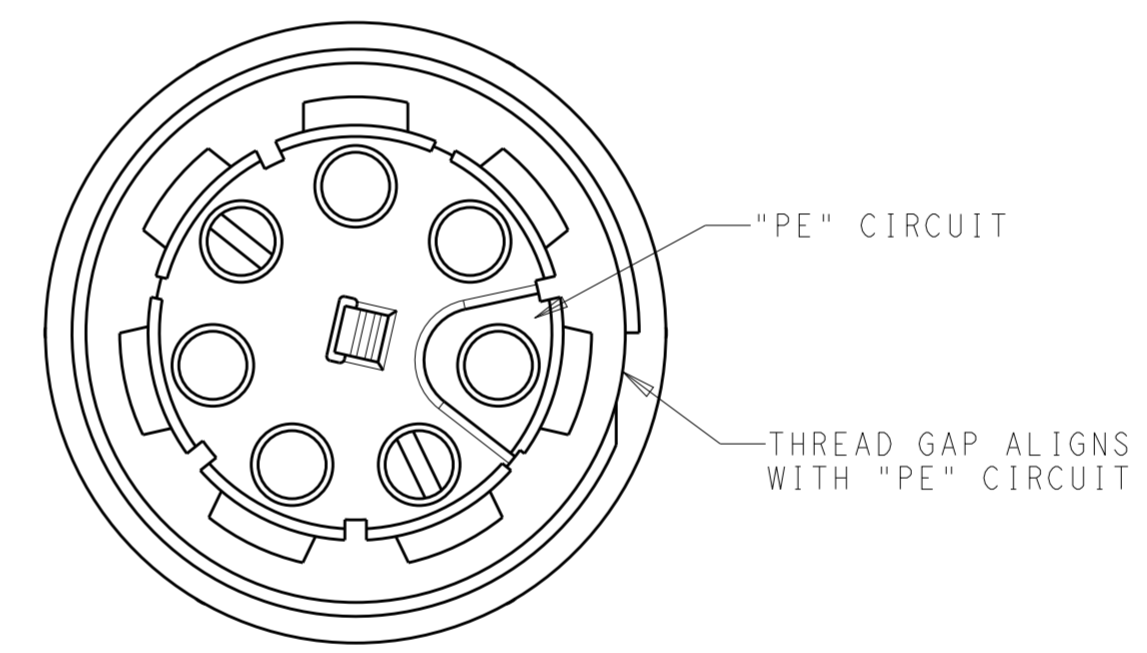
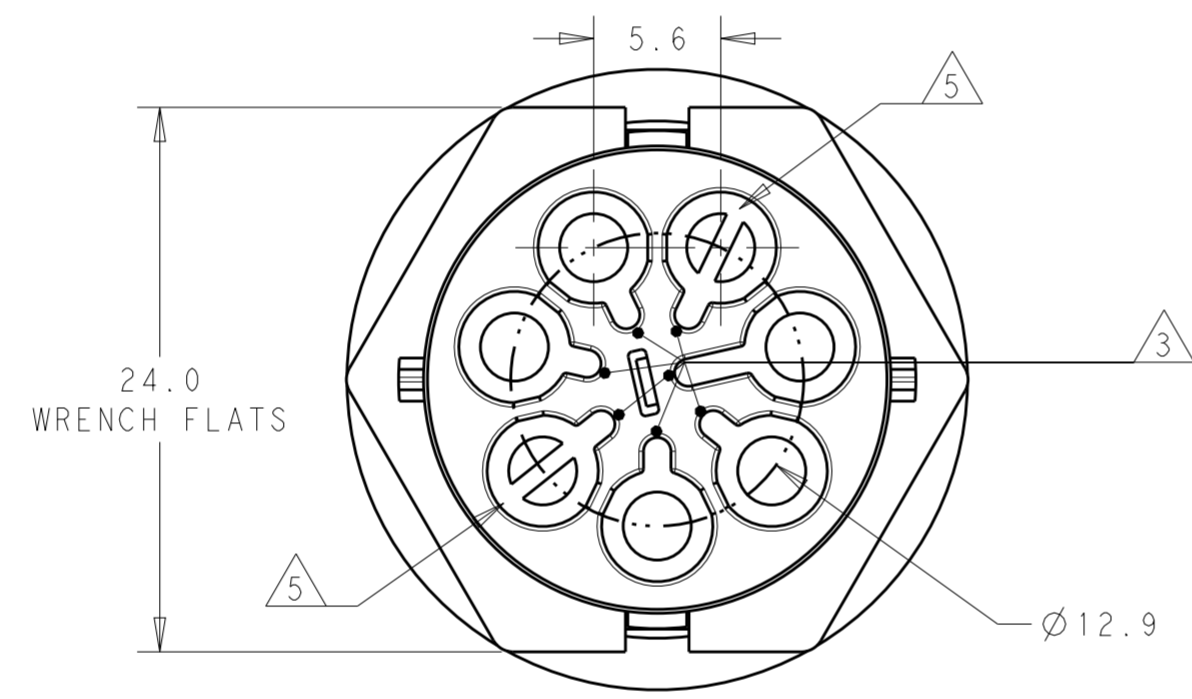


REVISIONS				
P	LTR	DESCRIPTION	DATE	APVD
A		REVISED PER ECR-15-008747	12JUN2015	RS JL



NOTES:

1. MATERIAL: GLASS FILLED PBT, COLOR: BLACK
2. MUST COMPLY WITH DIRECTIVE 2002/95/EC (ROHS)
3. ALL POLARIZATION KEYS SHOWN FOR REF ONLY.
4. CIRCUIT I.D.
5. CIRCUITS "L2" AND "L3" ARE BLOCKED TO PREVENT CONTACT INSTALLATION.
6. TE PART NUMBER
7. TE LOGO



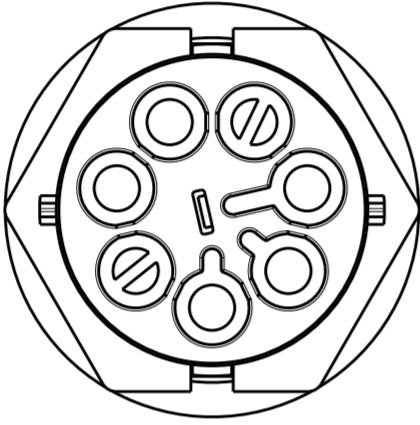
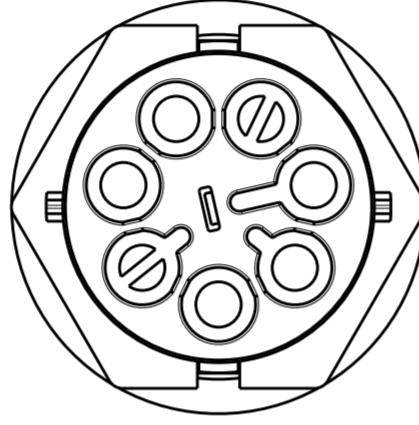
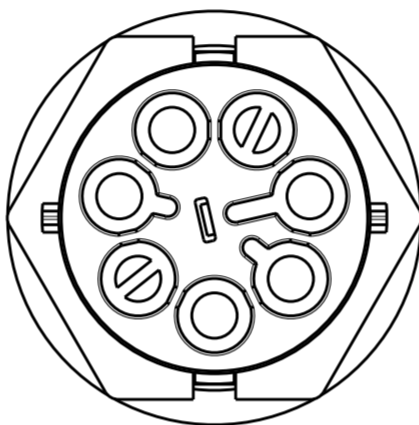
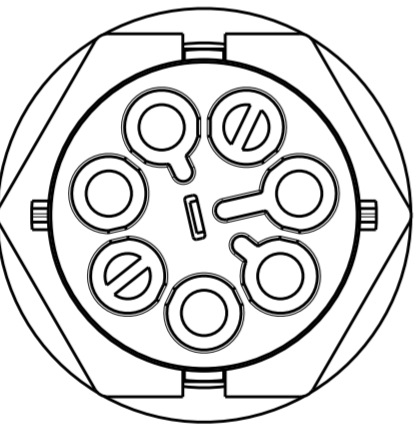
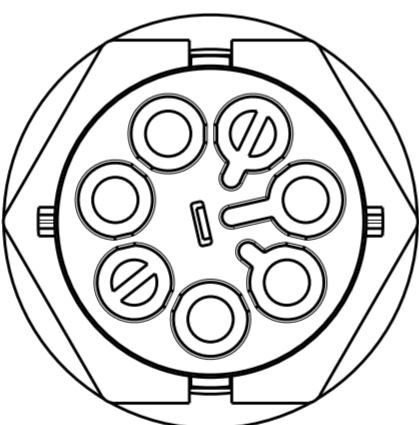
VIEW A


POLARIZATION TYPE	DESCRIPTION	PART NUMBER
E	FREE HANGING PIN. SEALED NECTOR M, 5 POSN	2213228-5
D	FREE HANGING PIN. SEALED NECTOR M, 5 POSN	2213228-4
C	FREE HANGING PIN. SEALED NECTOR M, 5 POSN	2213228-3
B	FREE HANGING PIN. SEALED NECTOR M, 5 POSN	2213228-2
A	FREE HANGING PIN. SEALED NECTOR M, 5 POSN	2213228-1

THIS DRAWING IS A CONTROLLED DOCUMENT.		DWN J. SHAFFER 16 JAN 2014	TE Connectivity	
DIMENSIONS: mm		CHK M. LUKSIC 16 JAN 2014		
TOLERANCES UNLESS OTHERWISE SPECIFIED:		APVD M. LUKSIC 16 JAN 2014	NAME	
0 PLC ±	1 PLC ±0.2	PRODUCT SPEC	FREE HANGING PIN HOUSING: SEALED NECTOR M-LINE, 5 POSN	
2 PLC ±0.13	3 PLC ±	108-133014	SIZE	CAGE CODE
4 PLC ±	ANGLES ±	114-32111	A2	-
MATERIAL	FINISH	WEIGHT	DRAWING NO	RESTRICTED TO
NOTE 1	-	-	G-2213228	-
Customer Drawing			SCALE 1:1	SHEET 1 OF 2

THIS DRAWING IS UNPUBLISHED. RELEASED FOR PUBLICATION 20  
 © COPYRIGHT 20 BY - ALL RIGHTS RESERVED.

REVISIONS				
P	LTR	DESCRIPTION	DATE	APVD
-		SEE SHEET 1	-	-

POLARIZATION TYPES		
POLARIZATION TYPE "A"	POLARIZATION TYPE "B"	POLARIZATION TYPE "C"
		
PN: 2213228-1	PN: 2213228-2	PN: 2213228-3
POLARIZATION TYPE "D"	POLARIZATION TYPE "E"	
		
PN: 2213228-4	PN: 2213228-5	

THIS DRAWING IS A CONTROLLED DOCUMENT.		DWN J. SHAFFER 16 JAN 2014	 TE Connectivity	
DIMENSIONS: mm		CHK M. LUKSIC 16 JAN 2014		
TOLERANCES UNLESS OTHERWISE SPECIFIED: 0 PLC ± 1 PLC ±0.2 2 PLC ±0.13 3 PLC ± 4 PLC ± ANGLES ± FINISH		APVD M. LUKSIC 16 JAN 2014	NAME FREE HANGING PIN HOUSING: SEALED NECTOR M-LINE, 5 POSN	
MATERIAL NOTE 1		PRODUCT SPEC 108-133014	SIZE A2	CAGE CODE -
-		APPLICATION SPEC 114-32111	DRAWING NO C-2213228	RESTRICTED TO -
-		WEIGHT -	SCALE 1:1	SHEET 2 OF 2
-		Customer Drawing	REV A	