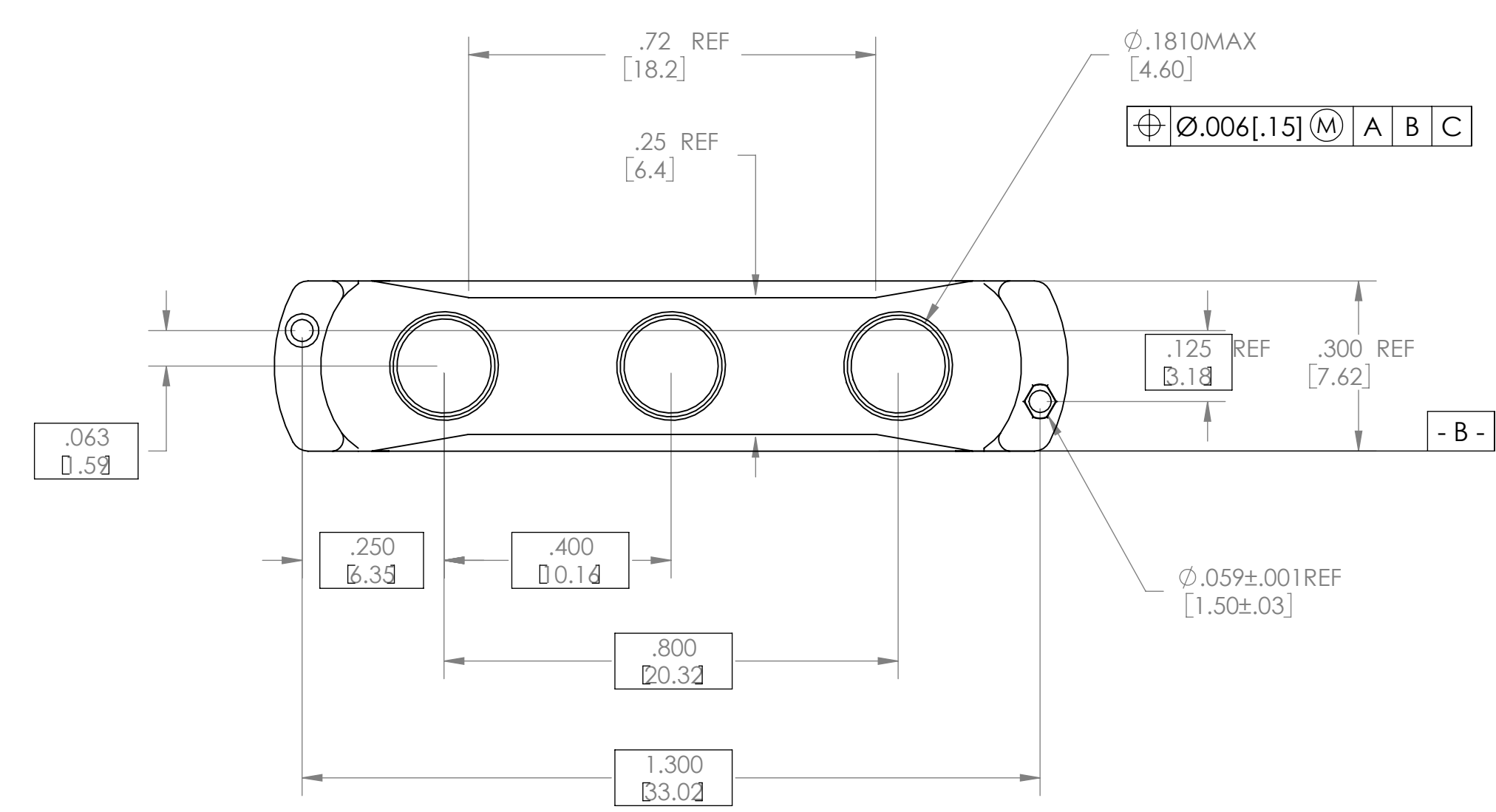
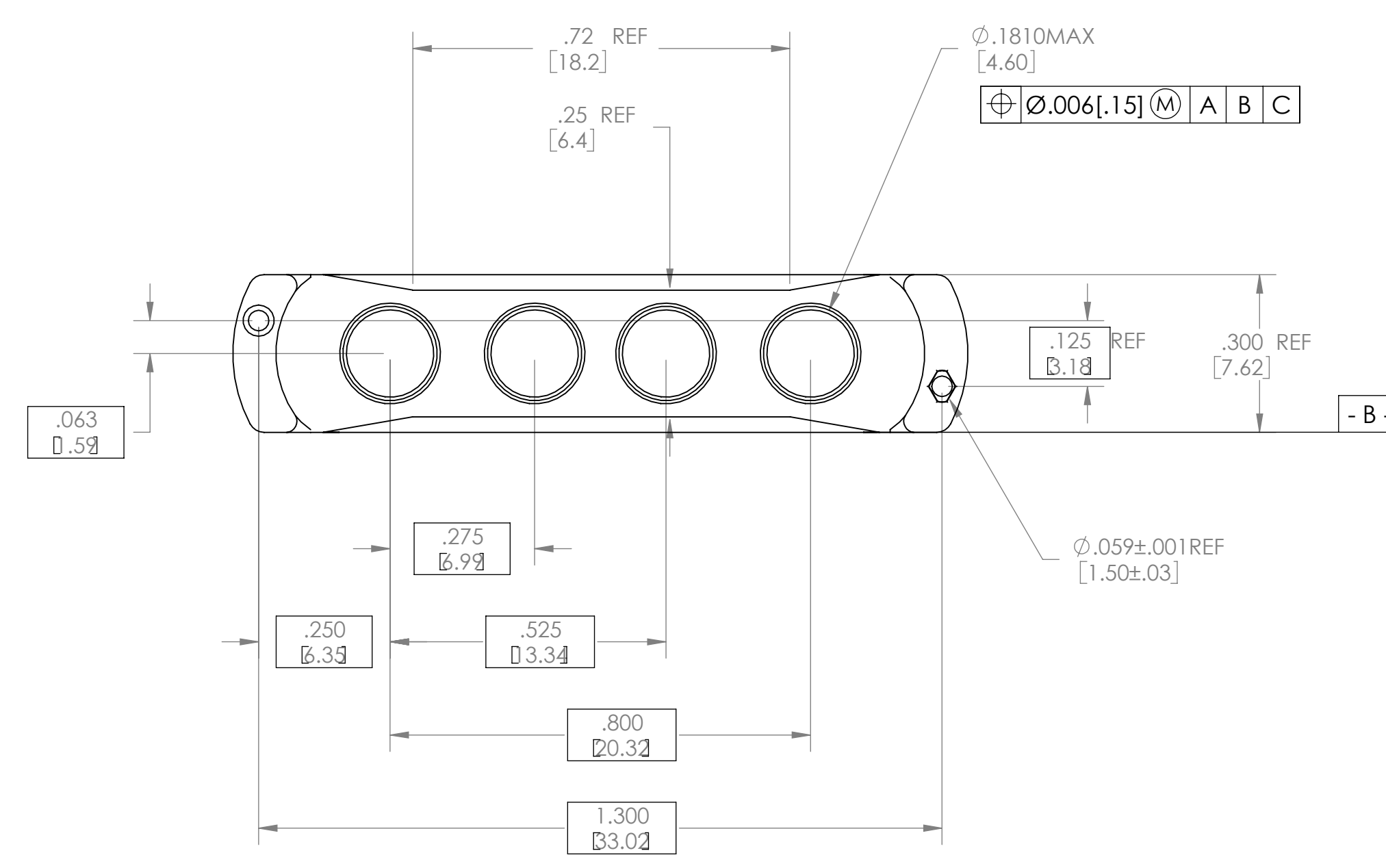
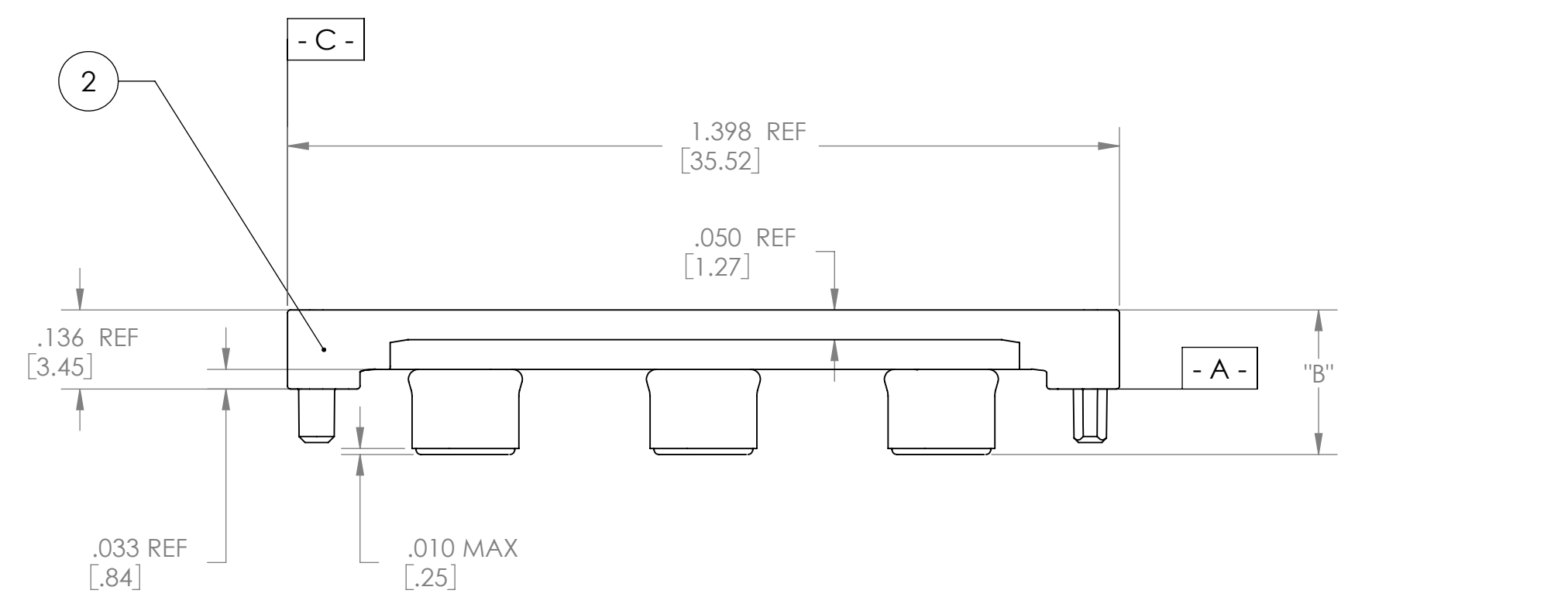
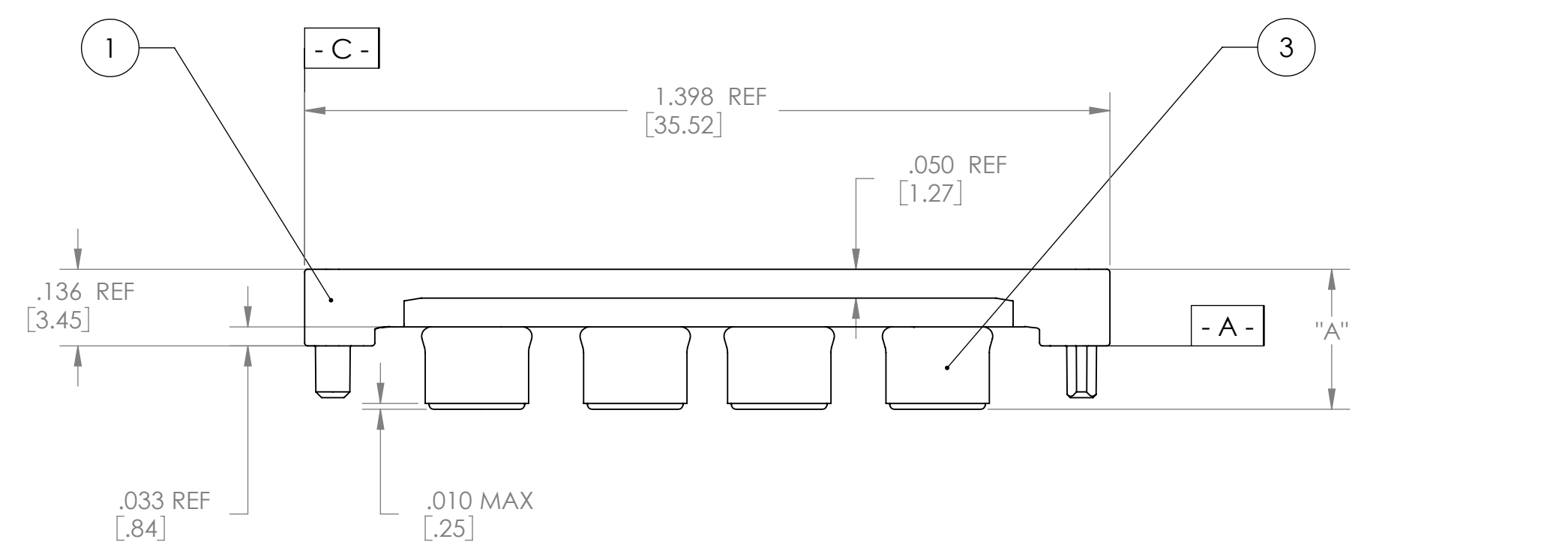
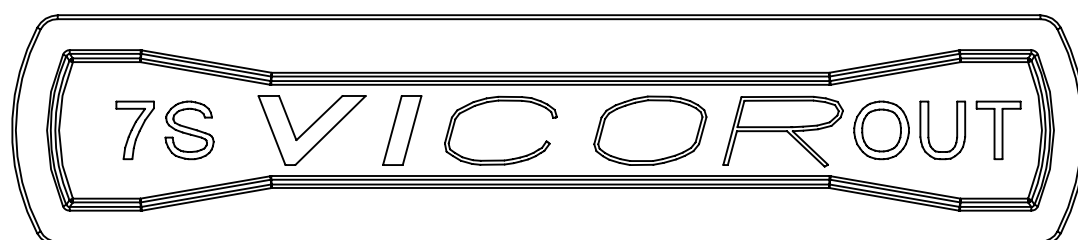
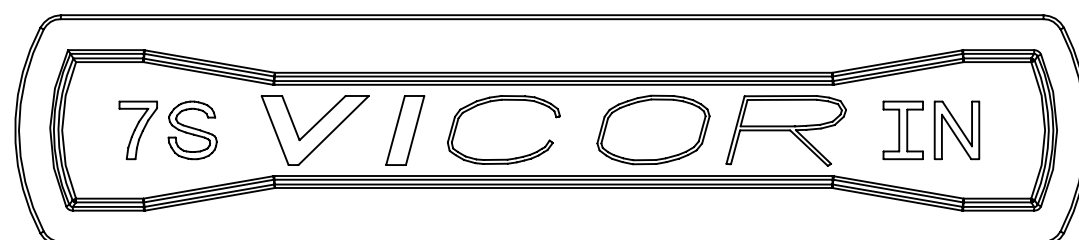


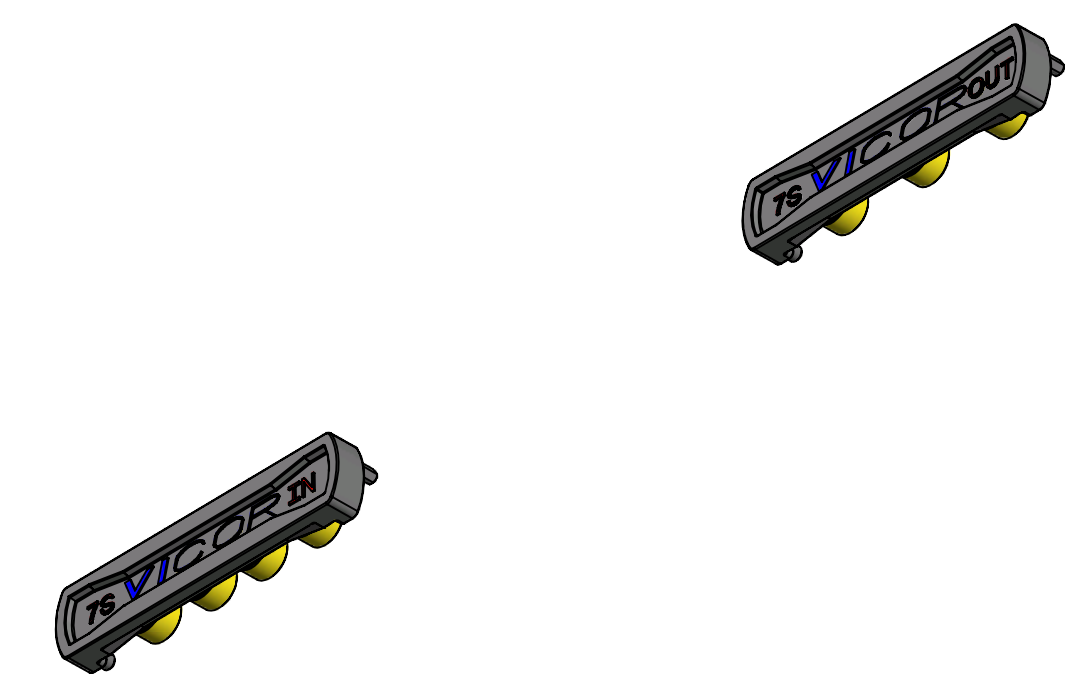
VICOR CONFIDENTIAL
 THIS DOCUMENT AND THE DATA DISCLOSED HEREIN OR
 HEREIN IS NOT TO BE REPRODUCED, USED OR
 DISCLOSED IN WHOLE OR IN PART TO ANYONE WITHOUT
 THE PERMISSION OF VICOR CORP.

REV.	DESCRIPTION	DATE	APPROVED
2	REVISED PER E080070	SA 01/15/08	REJH
3	REVISED PER E091753	JS 09/29/09	REJH
4	REVISED PER E092276	JS 12/30/09	REJH
5	REVISED PER E120065	VSS 01/20/12	KUK



DASH NO.	SOCKET BODY LENGTH INCH/MM	DIM "A" INCH/MM	DIM "B" INCH/MM	INPUT	OUTPUT	KIT#
-01	.100/2.54	.243/6.17	.243/6.17	18376	18386	18370
-02	.135/3.43	.278/7.06	.278/7.06	18377	18387	18371

NOTE:
 1. MATERIALS: INMATES: PPS RYTON 7
 SOCKETS: BE-CU #25, Au PLATED.
 2. FULLY SEAT SOCKET INTO INMATE HEADER.
 3. ROHS COMPLIANT PER CST-0001 LATEST REVISION.



DRAWN BY LAP NGUYEN	DATE 6/99	VICOR	
UNLESS OTHERWISE SPECIFIED DIMENSIONS ARE: INCH / (MM)		VI700 INMATE/SOCKET, BIB	
TOLERANCES ARE: X.XX (X.X) = +0.01 (0.25) X.XXX (X.XXX) = +0.005 (0.127)	ANGLES ±1°	SIZE D	CAGE CODE 67131
THIRD ANGLE PROJECTION	SCALE 4:1	DWG NO 18481-XX	REV 5
DO NOT SCALE DRAWING		SHEET 1 OF 1	