

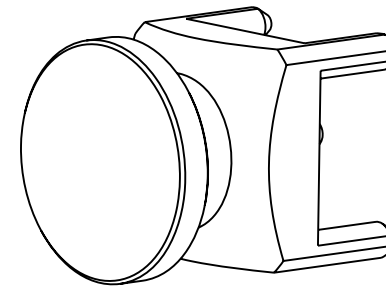
NOTES:

1. MATERIAL AND FINISH:
 BODY & CONTACT - BRASS, GOLD PLATING
 INSULATOR - PEEK, NATURAL
2. ELECTRICAL:
 A. IMPEDANCE: 50 OHM
 B. FREQUENCY RANGE: DC - 6 GHz
 C. VSWR(RETURN LOSS): 1.10 MAX. (-26.4 dB MIN.) @ DC - 2 GHz
 1.22 MAX. (-20.0 dB MIN.) @ 2 - 6 GHz
 CONNECTOR ONLY, PERFORMANCE WILL VARY
 BASED ON BOARD LAYOUT
 D. DIELECTRIC WITHSTANDING VOLTAGE: 500 VRMS, MIN.
3. MECHANICAL:
 A. DURABILITY: 500 CYCLES MIN.
 B. TEMPERATURE RANGE: -65°C TO +165°C
 C. ENGAGEMENT FORCE: 10 LBS (45 N) MAX.
 D. DISENGAGEMENT FORCE: 2 LBS (9 N) MIN.
 E. INNER CONTACT RETENTION FORCE: 1.5 LBS (7 N) MIN.
4. PACKAGING:
 A. QUANTITY: TAPE & REEL PACKAGING, 600 PCS/REEL
 B. MARKING: REEL TO BE MARKED:
 "AMPHENOL RF, SMP-MSLD-PCT16T, DATE CODE"

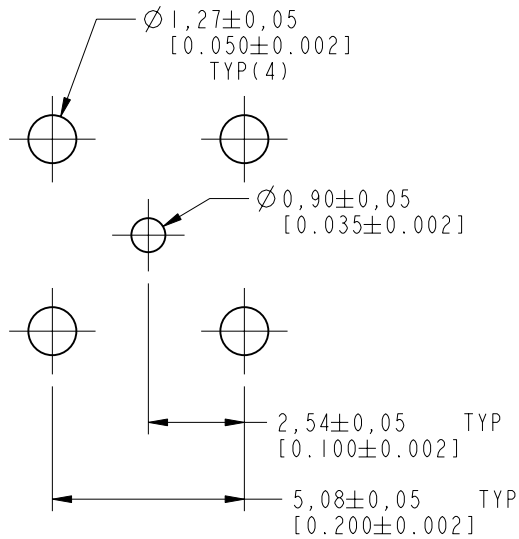
THIRD ANGLE PROJ.

REVISIONS

REV	DESCRIPTION	DATE	ECO	APPR
A	RELEASE TO MFG.	07-Jun-18	08221	BMG

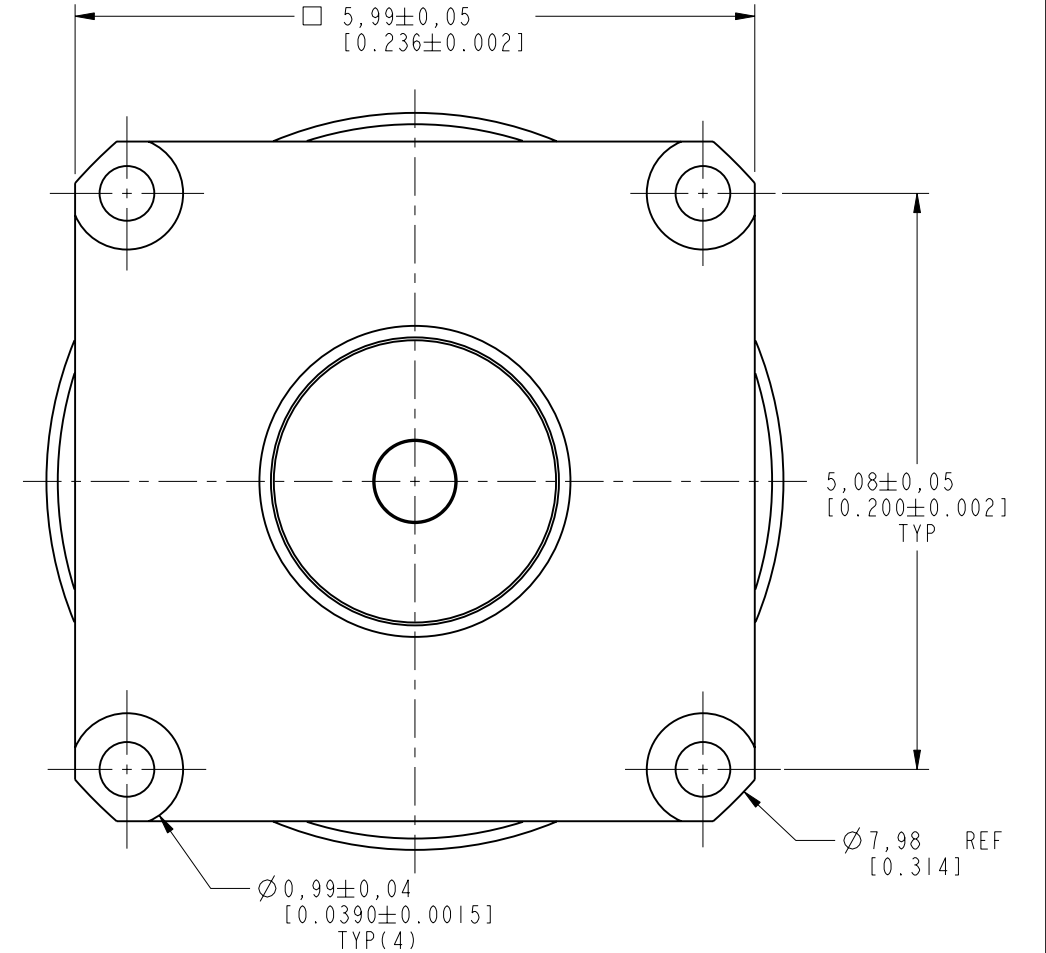
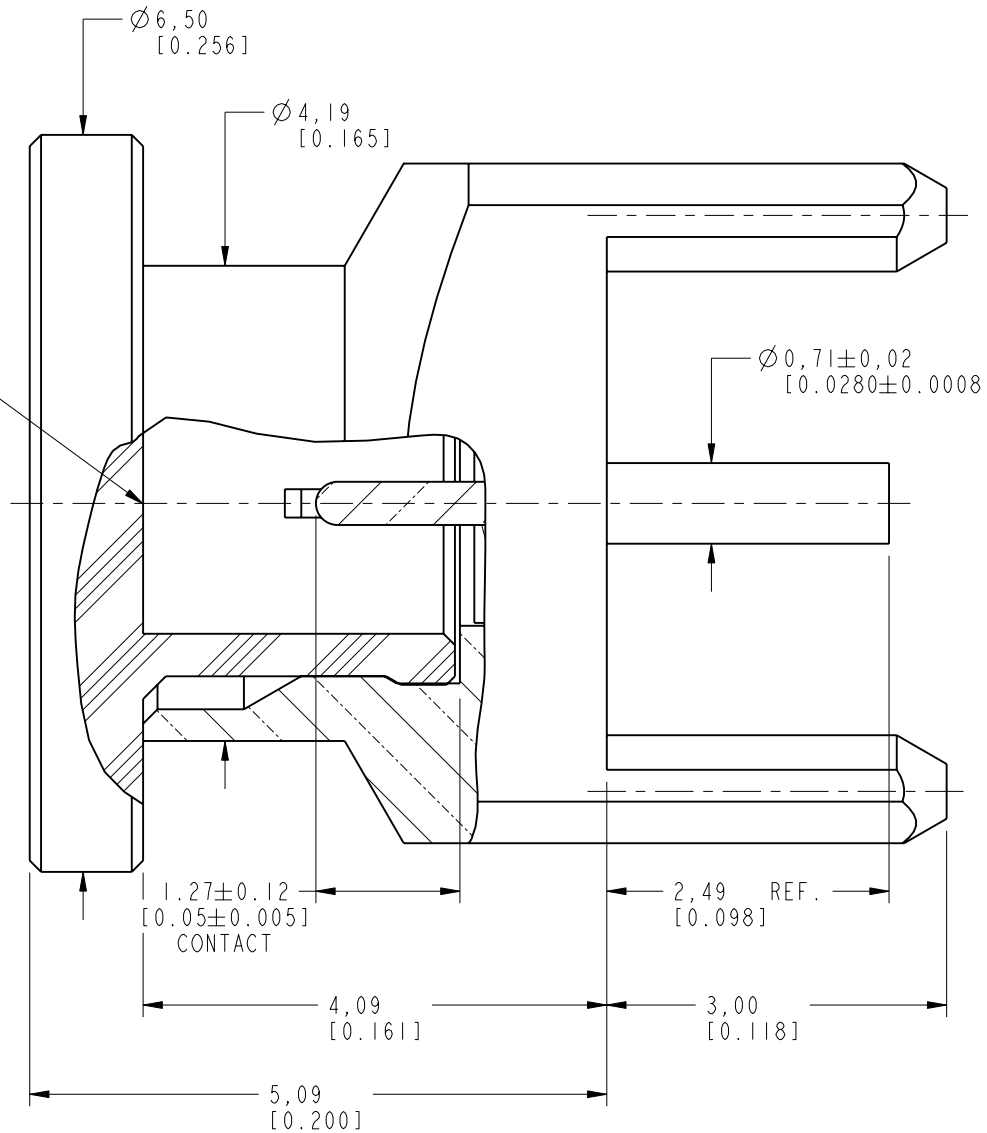


SCALE 5.000



RECOMMENDED PCB HOLE DIMENSIONS

INTERFACE PER MIL-STD-348 SERIES: SMP JACK LIMITED DETENT



CUSTOMER OUTLINE DRAWING

ALL OTHER SHEETS ARE FOR INTERNAL USE ONLY

UNLESS OTHERWISE SPECIFIED, DIMENSIONS ARE IN METRIC AND TOLERANCES ARE:
 < 0.5mm ± 0.05mm 0.5 - 6mm ± 0.1mm 6 - 30mm ± 0.2mm 30 - 120mm ± 0.3mm ANGLES ± 1°

NOTICE - These drawings, specifications, or other data (1) are, and remain the property of Amphenol corp. (2) must be returned upon request; and (3) are confidential and not to be disclosed to any person other than those to whom they are given by Amphenol Corp. the furnishing of these drawings, specifications, or other data by Amphenol Corp., or to any other person to anyone for any purpose is not to be regarded by implication or otherwise in any manner licensing, granting rights to permitting such holder or any other person to manufacture, use or sell any product, process or design, patented or otherwise, that may in any way be related to or disclosed by said drawings, specifications, or other data.

MATERIAL	DRAWN S. DUAN	DATE 07-Jun-18
REFERENCE EAR # 8016 AND SMP-MSLD-PCT	ENGINEER B. GREENBAUM	DATE 07-Jun-18
CONFIGURATION LEVEL: In Work	APPROVED S. HSIEH	DATE 20-Jun-18
FINISH	CAD FILE	

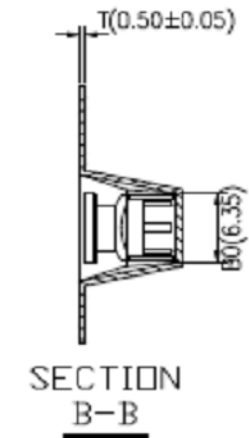
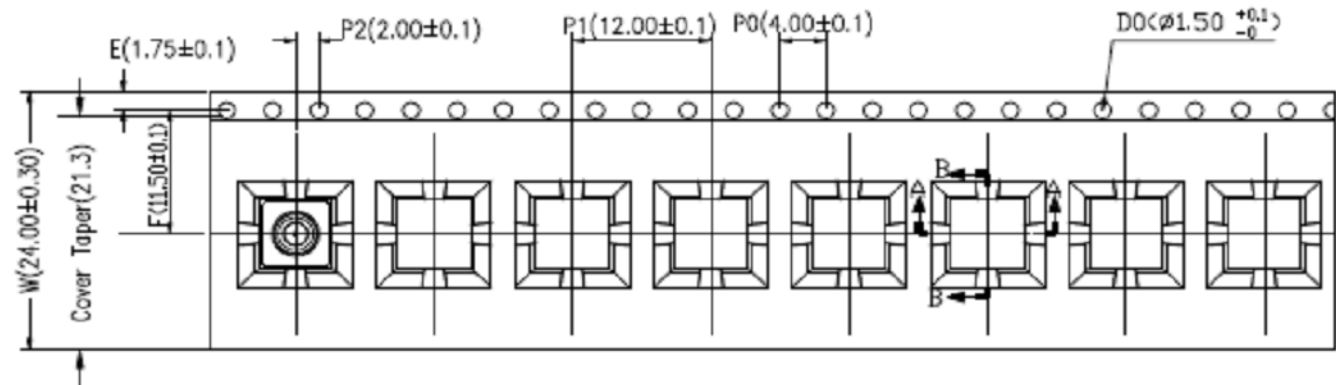
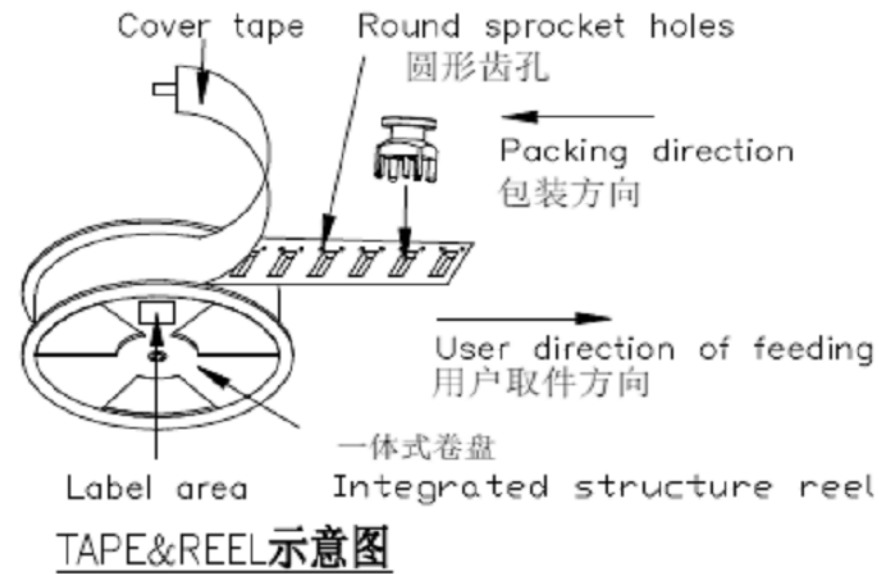
TITLE SMP STF JACK PCB RECEPTACLE LIMITED DETENT	SCALE: 15.0:1.0	SHEET 2 OF 3
DWG SIZE B	REV A	

Amphenol RF	
www.amphenolrf.com	
DRAWING NO. SMP-MSLD-PCT16T	
ITEM NO. SMP-MSLD-PCT16T	
PART NO. SMP-MSLD-PCT16T	

THIRD ANGLE PROJ.

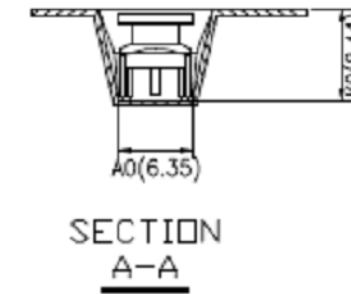
REVISIONS

REV	DESCRIPTION	DATE	ECO	APPR
A	RELEASE TO MFG.	07-Jun-18	08221	BMG



用户取件方向

USER DIRECTION OF UNREELING



NOTES:

- 10 sprocket holes pitch cumulative tolerance ± 0.20 mm.
- Carrier camber not to exceed 1 mm in 250 mm.
- A0 and B0 measured on a plane 0.3 mm above the bottom of the pocket.
- K0 measured from a plane on the inside bottom of the pocket to the top surface of the carrier.
- All dimensions meet EIA-481-D requirements.
- Material: Black PS (RoHS Compliant)
- Thickness: 0.50 ± 0.05 mm.
- Packing length per 13" reel: 7.968 Meters.
- Component loader per 13" reel: 600 pcs.

注:未注公差為 ± 0.10

NOTE: ALL TOLERANCES ARE: ± 0.10 , EXCEPT WHERE NOTED

ITEM	W	A ₀	A ₁	B ₀	B ₁	K ₀	K ₁	P ₁	F	E	D ₀	P ₀	P ₂	T
DIM	24.00 ± 0.30	6.35 ± 0.10	/	6.35 ± 0.10	/	8.44 ± 0.10	/	12.00 ± 0.10	11.50 ± 0.10	1.75 ± 0.10	1.50 $^{+0.10}_{-0.00}$	4.00 ± 0.10	2.00 ± 0.10	0.50 ± 0.05

UNLESS OTHERWISE SPECIFIED, DIMENSIONS ARE IN METRIC AND TOLERANCES ARE:
 < 0.5mm ± 0.05mm 0.5 - 6mm ± 0.1mm 6 - 30mm ± 0.2mm 30 - 120mm ± 0.3mm ANGLES ± 1°

NOTICE - These drawings, specifications, or other data (1) are, and remain the property of Amphenol corp. (2) must be returned upon request; and (3) are confidential and not to be disclosed to any person other than those to whom they are given by Amphenol Corp. the furnishing of these drawings, specifications, or other data by Amphenol Corp., or to any other person to anyone for any purpose is not to be regarded by implication or otherwise in any manner licensing, granting rights to permitting such holder or any other person to manufacture, use or sell any product, process or design, patented or otherwise, that may in any way be related to or disclosed by said drawings, specifications, or other data.

MATERIAL	DRAWN S. DUAN	DATE 07-Jun-18	TITLE SMP STF JACK PCB RECEPTACLE LIMITED DETENT	Amphenol RF www.amphenolrf.com
REFERENCE EAR # 8016 AND SMP-MSLD-PCT	ENGINEER B. GREENBAUM	DATE 07-Jun-18		
CONFIGURATION LEVEL: In Work	APPROVED S. HSIEH	DATE 20-Jun-18	SCALE: 17.5:1.0 SHEET 3 OF 3	DRAWING NO. SMP-MSLD-PCT16T
FINISH	CAD FILE	DWG SIZE B	REV A	ITEM NO. SMP-MSLD-PCT16T
				PART NO. SMP-MSLD-PCT16T